

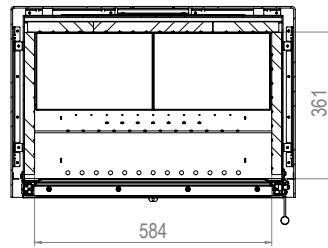
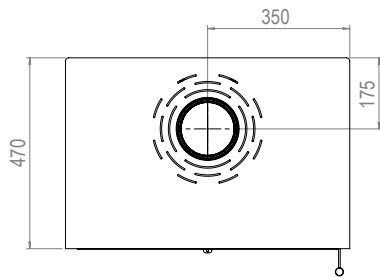
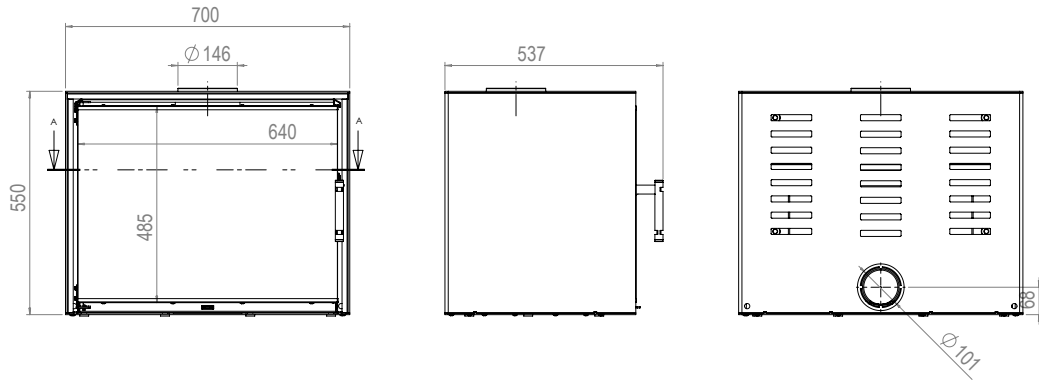
BASIC INFORMATION ABOUT THE PRODUCT



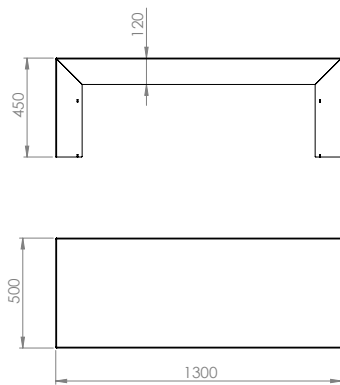
- The exhaust gas outlet mounted from the center of the combustion chamber, diameter 150 mm, allows installation in existing open fireplaces.
- A deepened firebox means safety and the possibility of larger loads of wood
- An automatic fan unit circulates warm air in the room (optional)
- The 100 mm air inlet (mounted at the back or bottom) allows the cassette to be installed also in a house with heat recovery.
- Built-in possibility of connecting the cassette to a hot air distribution system (2 x fi 100 mm)
- The new air supply and circulation system is a comprehensive solution that guarantees ecological wood burning and a beautiful, clear vision of fire.
- New door design with minimalist, elegant Decor glass.
- The CF4 housing has a 4 mm thick edge.
- **Configurable options: bench (base), wall-mounted hanger, fans**

Nominal power [kW] 8.5	8,5
Heating load range [kW] 4-10	4-10
Thermal efficiency [%] 87	87
CO emission (at 13% O ₂) [g/m ³] 0.025	0,025
Pollen emission [g/m ³] 1.002	1,002
Average fuel consumption [kg/h] 2.4	2,4
Glass dimensions [mm] 640x481	640x481
Flue diameter [mm] 146	146
Inlet diameter [mm] 100	100
Housing sheet thickness [mm] 4	4
Weight [kg] 127	127
Efficiency factor 116.2	116,2

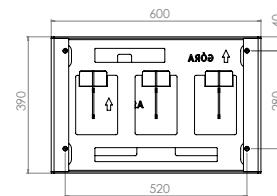




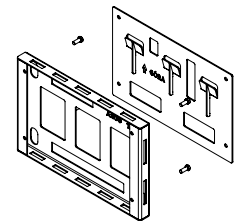
PRZEKRÓJ A-A



BENCH



HANGER



CF 700
4MM