

# PELLKAMIN 8 - 10

Inserto a pellet - Wood pellet insert

Insert à pellet - Insertable de pellet

Pellets-Einsatz - Pellet-inbouwhaard

Indsats til pillebrændeovne - Inerível a pellet

Κασέτα pellet



I	Installazione, uso e manutenzione	pag. 2
UK	Installation, use and maintenance	pag. 31
F	Installation, usage et maintenance	pag. 60
E	Instalación, uso y mantenimiento	pag. 89
D	Installations-, Betriebs- und Wartungsanleitung	pag. 118
NL	Installatie, gebruik en onderhoud	pag. 147
DK	Installation, brug og vedligeholdelse	pag. 176
P	Instalação, uso e manutenção	pag. 205
GR	Εγκατάσταση, χρήση και συντήρηση	σελ. 234

---

# TABLE OF CONTENTS

---

Safety Information .....	pag. 33
General information .....	pag. 34
Installation .....	pag. 39
Instructions for use .....	pag. 50
Maintenance .....	pag. 54
Possible troubleshooting .....	pag. 56
Check list .....	pag. 58
Notes .....	pag. 59

*The undersigned EDILKAMIN S.p.a. with head office headquarters at Via Vincenzo Monti 47 - 20123 Milan - Italy - VAT T00192220192*

*Declares under its own responsibility as follows:*

*The wood pellet fireplace illustrated below conforms to Regulation EU 305/2011 (CPR) and to the harmonised European Standard*

*EN 14785:2006*

*WOOD PELLET FIREPLACE, trademark EDILKAMIN, called PELLKAMIN*

*Year of manufacture: Ref. Data nameplate*

*Declaration of performance (DoP - PELLKAMIN 8: EK 130 - PELLKAMIN 10: EK 124): Ref. data tag plate*

*In addition, it is hereby declared that:*

*the wood pellet fireplace PELLKAMIN is in compliance with the requirements of the European directives:*

*2014/35/UE - Direttiva Bassa Tensione*

*2014/30/UE - Direttiva Compatibilità Elettromagnetica*

*EDILKAMIN S.p.a. will decline all responsibility of malfunctioning or damage to the equipment in case of unauthorized substitution, assembly or modifications of any sort on the said equipment on the part of non-EDILKAMIN personnel.*

Dear Sir/Madam

Congratulations and thank you for choosing our product.

Please read this document carefully before you use this product in order to obtain the best performance in complete safety.

For further details or assistance, please contact the DEALER where you purchased the product or visit the TECHNICAL ASSISTANCE CENTRES page on our website [www.edilkamin.com](http://www.edilkamin.com).

#### NOTE

- After you remove the packaging, please inspect the unit for any damage or missing parts (insert extraction handle, remote control, warranty booklet, glove, CD/technical data sheet, desiccant).

In case of anomalies please contact the dealer where you purchased the product immediately.

You will need to present a copy of the warranty booklet and valid proof of purchase.

- Commissioning/ testing

Commissioning and testing must be performed by an authorized Edilkamin Technical Assistance Centre. Failure to do so will void the warranty. Commissioning, as specified in standard UNI 10683 consists in a series inspections to be performed with the insert installed in order to ascertain the correct operation of the system and its compliance to applicable regulations.

- Incorrect installation, incorrect maintenance, or improper use of the product, shall relieve the manufacturer from any damage resulting from the use of this product.

**- the proof of purchase tag, necessary for identifying the insert, is located:**

- on the top of the package
- in the warranty booklet found inside the firebox
- on the ID plate affixed to the back side of the unit;



This documentation must be saved for identification together with the valid proof of purchase receipt. The data contained therein must be reported when requesting information and made available should servicing be required;

- All images are for illustration purposes only; actual products may vary.

# SAFETY INFORMATION

- The appliance is not designed to be used by people, including children, with reduced physical, sensorial or mental abilities. Children must be supervised to ensure they do not play with the appliance.
- The main risks that may derive from using the insert pertain to non-compliance with installation instructions, direct contact with live electrical parts (internal), contact with the fire or hot parts (glass, pipes, hot air output), when extraneous substances or non-recommended fuel are introduced, or due to incorrect maintenance or by repeatedly pressing the ignition button without having emptied the crucible.
- Only use certified, high quality, 6 mm diameter wooden pellets for fuel.
- Should components fail, the insert are equipped with safety devices that guarantee automatic shutdown. These are activated without any intervention required.
- In order to function correctly, the insert must be installed in accordance with the instructions given herein and the door must not be opened during operation: combustion is fully automatic and requires no intervention.
- Under no circumstances should any foreign substances be entered into the hearth or hopper.
- Do not use flammable products to clean the smoke channel (the flue section connecting the stove smoke outlet to the chimney flue).
- The hearth and hopper parts must only be cleaned when COLD.
- The glass can be cleaned when COLD with a suitable product (e.g. GlassKamin Edilkamin) and a cloth.
- Avoid opening the door of the combustion chamber when the insert is hot; wait until it has cooled down naturally.
- Each time the insert is removed, a security system cuts off the power supply. Should the insert be removed involuntarily during ignition, operation or while switching off (including while blocked), the “Power failure” block phase will be launched when the insert is reinserted. Wait for the block phase to end before reactivating the insert.
- The insert must not function if the door is open, if the glass is broken or if the pellet-loading port is open.
- It must not be used as a step ladder or a base on which to rest any object.
- Do not lay laundry directly on the insert to dry. Any clothes horse or similar must be placed at a safe distance from the insert (danger of fire).
- Make sure the insert is installed and ignited the first time by Edilkamin-qualified CAT personnel (technical assistance centre) in accordance with the instructions provided here within; this is an essential requirement for the validation of the guarantee.
- When the insert is in operation, the exhaust pipes and door become very hot (do not touch without wearing the thermal glove).
- Do not place anything, which is not heat resistant near the insert.
- NEVER use liquid fuel to ignite the insert or rekindle the embers.
- Do not obstruct the ventilation apertures in the room where the insert is installed, nor the air inlets of the stove itself.
- Do not wet the insert and do not go near electrical parts with wet hands.
- Do not use reducers on the smoke exhaust pipes.
- The insert must be installed in a room that is suitable for fire prevention and equipped with all that is required (power and air supply and outlets) for the insert to function correctly and safely.
- **SHOULD IGNITION FAIL, DO NOT RE-IGNITE UNTIL YOU HAVE EMPTIED THE COMBUSTION CHAMBER.**

# GENERAL INFORMATION

## PRINCIPLE OF OPERATION

PELLKAMIN is an insert that uses pellets as fuel. Combustion is electronically managed.

The combustion chamber is made with steel perimeter structure covered, at the back, with a cast-iron panel and closed, at the front, with a ceramic glass door (use the thermal glove provided when opening).

The fuel (pellets) is taken from the storage tank (A). A cochlea (B) is enabled by a gear motor (C), which takes the fuel to the combustion chamber (D).

The pellets are ignited by hot air produced by an electrical resistance (E) and suctioned into the combustion chamber by means of a centrifugal fan.

The smoke produced by combustion is extracted from the hearth by means of this centrifugal fan and expelled from the mouth located in the upper area of the insert (F).

Through the lower grille (G), the fans draw air from the room that, routed through the cavity on the back of the combustion chamber, is heated before returning to the room through the upper grille (H).

Provide two aeration grilles (area larger than 100 cm<sup>2</sup>), the first one under the insert and the second positioned at least 50 cm above the insert or anyway communicating with the internal compartment where the insert is positioned, as indicated on page 48.

The fuel tank (A) is situated to the rear of the insert.

The hopper can be filled in the following ways:

– through extraction of the insert, see page 42.

**(TO BE CARRIED OUT ONLY WITH THE INSERT TURNED OFF).**

– using the pellet loading kit (optional), complete with loading mouth to apply to the mantel, see page 43.

**(THE INSTALLATION OF THE KIT ALLOWS PELLETS TO BE LOADED IN THE HOPPER FROM THE FRONT WITHOUT HAVING TO TURN OFF THE INSERT).**

– using the pellet front loading drawer kit (optional see page 46).

**(INSTALLATION OF THE KIT MAKES IT POSSIBLE TO LOAD THE PELLETS INTO THE HOPPER FROM THE FRONT AND FROM THE SIDE WITHOUT HAVING TO SHUT DOWN THE INSERT).**

Fuel quantity, smoke extraction and combustion air supply are all controlled by an electronic control board, which is equipped with Leonardo software to achieve high combustion efficiency and low emissions.

All phases of operation can be managed via radio remote control.

In case of breakage or loss of the radio remote control, switching on and off and setting the operating power can be done through a 1,2-metre cable, complete with simplified on-button to be placed near the insert by the installer (see page 53).

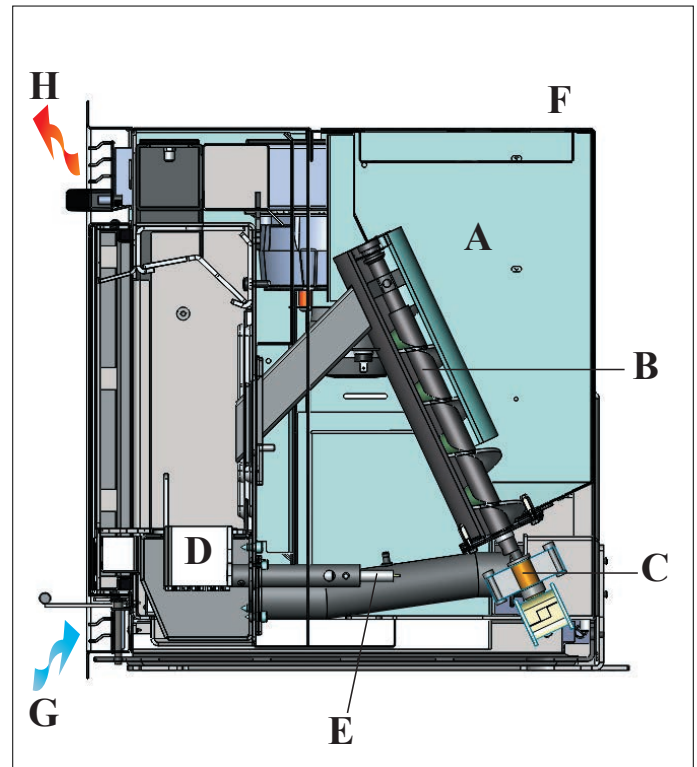


fig. 1

- Each time the insert is removed, a security system cuts off the power supply. Should the insert be removed involuntarily during ignition, operation or while switching off (including while blocked), the “Power failure” block phase will be launched when the insert is reinserted. Wait for the block phase to end before reactivating the insert.

---

# GENERAL INFORMATION

---

## • ELECTRONIC EQUIPMENT

LEONARDO is a combustion safety and control system which allows optimal performance in all conditions thanks to two sensors measuring the pressure level in the combustion chamber and smoke temperature.

The detection of and subsequent optimisation of these two parameters is continuous in order to correct operation anomalies in real time.

The LEONARDO system offers constant combustion, automatically regulating the draft based on the characteristics of the chimney flue (bends, length, shape, diameter, etc.) and environmental conditions (wind, humidity, atmospheric pressure, installations at high altitude, etc.). The standards for installation must be respected.

The LEONARDO system is also able to recognise the type of pellets and automatically adjust the flow moment by moment to ensure the required level of combustion.



## AUX PORT

**(connected via optional serial port cable code 640560)**

This is a clean, potential free contact, useful for connecting a telephone combiner or other control devices via an optional cable.

## BACKUP BATTERY

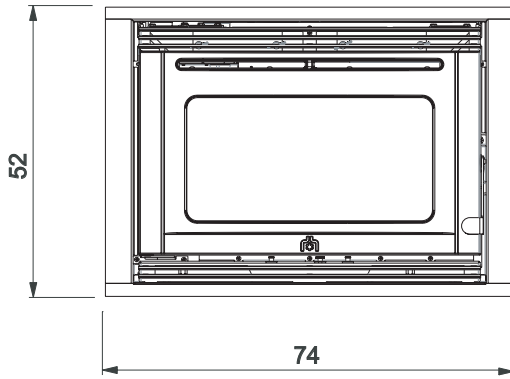
A backup battery is found on the control board (3-Volt CR 2032 battery).

Its malfunction is indicated with the following messages: (not considered a defect but due to normal wear-and-tear): "Battery check".

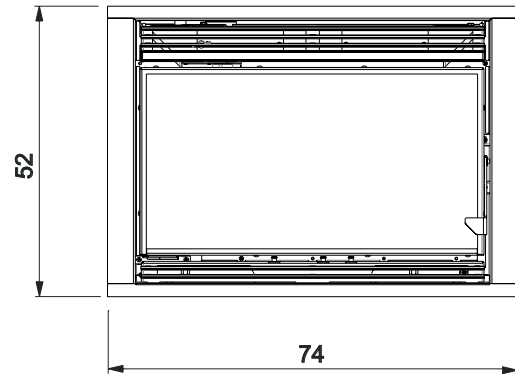
For more detailed information, please contact the DEALER who has performed the first 1st ignition.

# GENERAL INFORMATION

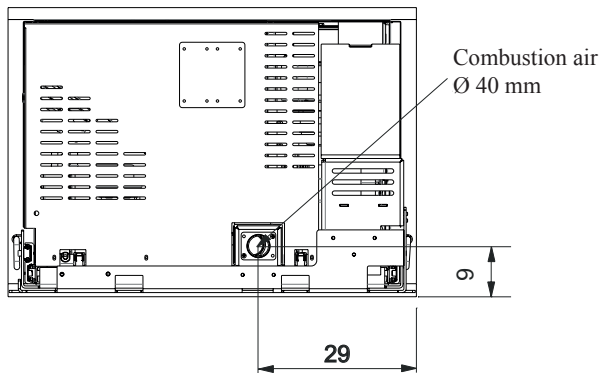
FRONT PELLKAMIN 8



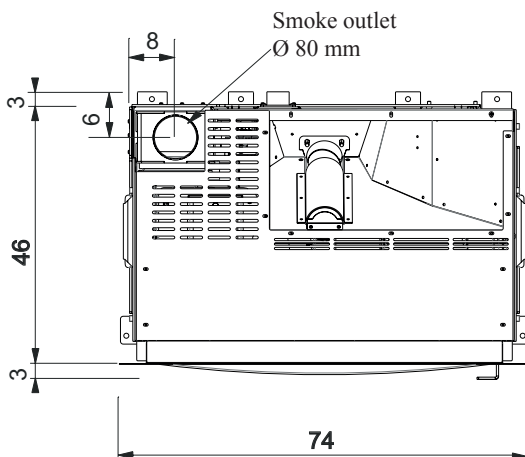
FRONT PELLKAMIN 10



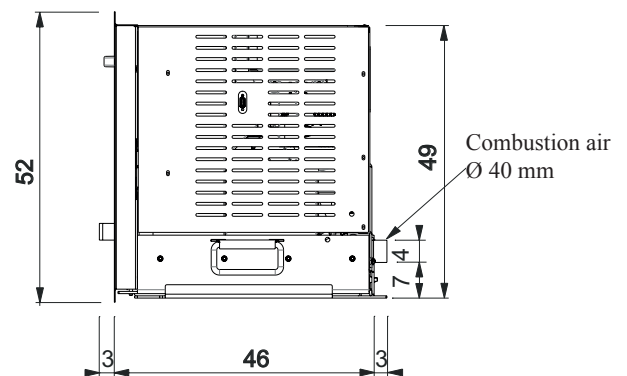
BACK



SYSTEM



SIDE



# GENERAL INFORMATION

ENGLISH

## THERMO TECHNICAL CHARACTERISTICS according to EN 14785)

	PELLKAMIN 8		PELLKAMIN 10		
	Nominal power	Reduced power	Nominal power	Reduced power	
Thermal power output	8,1	3,1	10,4	3,1	kW
Yield / Efficiency	91,1	90,3	90	90,3	%
Emissions CO 13% O <sub>2</sub>	0,011	0,055	0,013	0,055	%
Fume temperature	145	100	172	100	°C
Fuel consumption	1,9	0,7	2,4	0,7	kg/h
Hopper capacity	11		11		kg
Draught	12 - 5	10 - 3	12 - 5	10 - 3	Pa
Autonomy	6	16	5	16	hours
Heatable volume *	210		270		m <sup>3</sup>
Smoke outlet pipe diameter (male)	80		80		mm
Air intake pipe diameter (male)	40		40		mm
Weight including packaging	153		147		kg

**TECHNICAL DATA FOR SIZING THE FLUE** which must, in any case, comply with the guidelines of this sheet and the installation rules for each product

	PELLKAMIN 8		PELLKAMIN 10		
	Nominal power	Reduced power	Nominal power	Reduced power	
Temperature of fumes on exit from the discharge pipe	174	120	207	120	°C
Minimum draught	0,01				Pa
Fume flow capacity	5,5	3,7	6,4	3,7	g/s

\* The heatable room dimensions are calculated on the basis of home insulation in compliance with Italian law 10/91, and subsequent changes together with an expected heat output of 33 Kcal/m<sup>3</sup> per hour.

## ELECTRICAL CHARACTERISTICS

Power supply	230 Vac +/- 10% 50 Hz
Average power consumption	120 - 150 W
Power consumption during ignition	400 W
Remote control frequency	2,4 GHz
Protection on electronic circuit board	Fusibile 2AT, 250 Vac 5x20

**N.B.**

- 1) keep in mind that external devices can cause interference to the operation of the circuit board.
- 2) warning: activity on live components, maintenance and/or checks must be carried out by qualified personnel. (before carrying out any maintenance, disconnect the appliance from the mains electricity)
- 3) In case of problems with the electrical grid, consult an electrician to evaluate the installation of a UPS of at least 800 Vac. Power variations greater than 10% can cause problems for the product.

The above data are indicative and are those resulting during certification on the part of the notified body. EDILKAMIN s.p.a. reserves the right to change the products at its discretion without notice.

## SAFETY DEVICES

### • THERMO COUPLING:

located on the smoke exhaust, detects the temperature. On the basis of the parameters set, check the ignition, working and turn-off phases.

### • VACUUM GAUGE:

Positioned on the smoke extractor, which detects the vacuum value (compared to the installation environment) in the combustion chamber

### • SAFETY THERMOSTAT:

Intervenes when the temperature within the insert is too high. Blocks pellet loading causing the insert to turn off.

### • ROOM TEMP. DETECTION PROBE:

located on the remote control. Alternatively it can be connected up to the electronic board inside the insert.



# INSTALLAZIONE

## GENERAL NOTES

In Italy it is necessary to refer to the standard declaration of conformity conforming to Ministerial Decree 37/2008 (pursuant to Law 46/1990) and standards UNI 10683/2012 and UNI 10412-2/2009.

In the case of installation in a multiple-tenancy building, contact the building manager before installation.

In France, it is necessary to refer to Decree 2008-1231.

## VERIFY COMPATIBILITY WITH OTHER DEVICES

In Italy the insert **MUST NOT** be installed in the same space as type B gas heating equipment (e.g. gas boilers, stoves, and equipment served by an extraction hood - ref. UNI 10683 and 7129).

In general, the insert could create low pressure in the room, affecting the operation of such appliances or being affected by them.

## VERIFY THE POWER SUPPLY CONNECTION

### (the plug must be accessible)

The insert is supplied with a power cable that is to be connected to a 230V 50 Hz socket, preferably fitted with a magnetothermic switch.

The electrical system must comply with the law; particularly verify the efficiency of the earthing system. The power line must have a suitable cross-section for the insert's power. An inadequate earthing system can cause anomalies for which Edilkamin cannot be held liable.

Power variations greater than 10% can cause problems for the product.

## AIR INTAKE (NON-AIRTIGHT INSTALLATION)

An air intake must be prepared behind the insert and connected with the outside.

It must have a useful minimum section of 80 cm<sup>2</sup> to guarantee sufficient air to the insert for combustion, without creating depression in the installation room.

A 4 cm diameter outlet is found on the rear of the PELLKAMIN.

This outlet is used for air intake connected directly with the outside via pipes.

The pipes must not be longer than 1 metre and have no bends and must have a wind guard at the end.

## POSITIONING AND DISTANCES FOR FIRE SAFETY

To function correctly, PELLKAMIN must be positioned on the level.

Check that the floor load capacity is sufficient.

PELLKAMIN must be installed in compliance with the following safety conditions:

- minimum distance from flammable materials around the sides and back of the insert: 20 cm

- flammable materials must not be placed less than 80 cm from the front of the insert.

If it is not possible to comply with the above-mentioned distances, technical and construction-related provisions must be taken to prevent fire hazards.

If connected to wooden walls or other flammable materials, the smoke exhaust pipe must be insulated.

# INSTALLATION

## SMOKE OUTLET

The insert must have its own smoke outlet (the smoke cannot be discharged into a smoke flue used by other devices).

Smoke discharge takes place from the mouth on the cover, measuring 8 cm in diameter.

The smoke outlet must be connected to outside by means of suitable steel pipes EN 1856 certified.

The pipe must be hermetically sealed.

The material used to seal and if necessary insulate the pipes, must be resistant to high temperatures (high temperature silicone or mastic).

The only horizontal section allowed may be up to 2 m long up to three 90° bends (in relation to the vertical).

A vertical section of at least 1.5 m and an anti-wind terminal is necessary (if the discharge outlet is not in a chimney flue - reference UNI 10683).

The vertical duct can be internal or external.

If the smoke channel is outside, it must be appropriately insulated.

If the smoke channel is fitted inside a chimney flue, the latter must be suitable for solid fuel.

If it is wider than 150 mm in diameter it must be improved by entering a pipe that has a suitable cross-section and is made of suitable material (e.g. 80 mm diameter steel).

All sections of the smoke duct must be accessible for inspection.

The chimney pots and smoke ducts connected to the solid fuel appliances must be cleaned once a year (verify whether a specific legislation exists in your country).

Failure to regularly inspect and clean the insert increases the probability of a fire occurring in the chimney pot. In that case, proceed as follows:

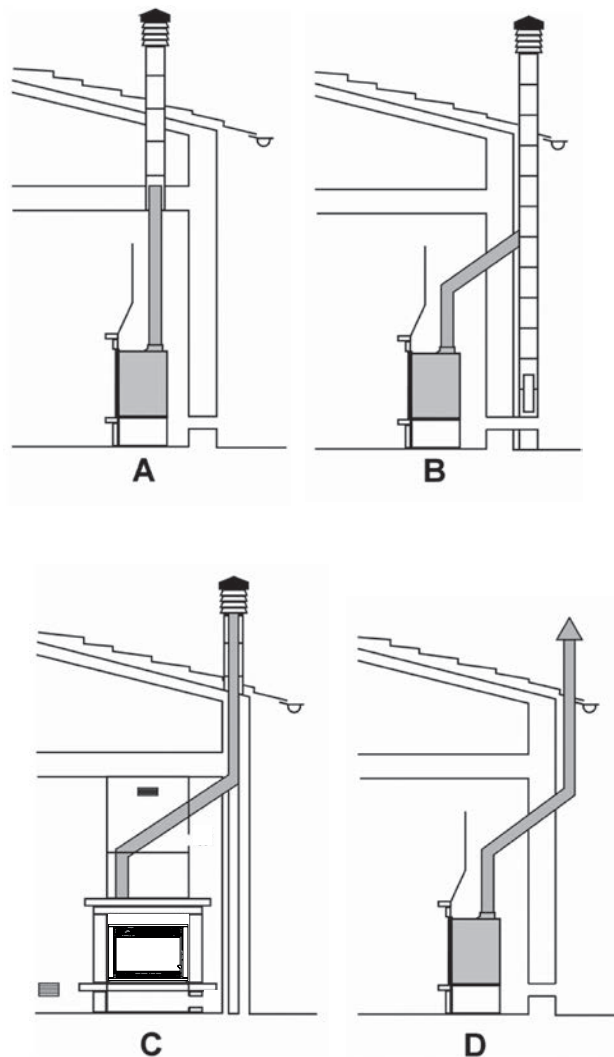
Do not use water to extinguish the fire; Empty the pellet hopper; Contact specialist personnel before reigniting the stove.

The insert is designed to work under any weather conditions.

In case of particular conditions, such as strong wind, the safety system may be activated, which results in the insert being extinguished.

If this happens, do not operate the insert with the safety devices disabled.

If the problem persists, contact our Technical Service Department.



**A:** internal chimney flue up to the roof

**B:** external brick-built chimney flue

**C:** internal brick-built chimney flue

**D:** double-wall external steel chimney

flue (for the following installation, the chimney flue must be double-walled and well-insulated for the entire length)

## CHIMNEY POT

The main characteristics are:

- an internal cross-section at the base, which is the same as that of the chimney flue
- an outlet cross-section which is no smaller than twice that of the chimney flue
- its position must be high enough to catch the wind and avoid downdraft areas in turbulent wind, it must be high enough to catch the wind and avoid downdraft areas in turbulent wind.

# INSTALLATION

The insert is supplied with a base plate (A) complete with smoke duct (B) and primary air duct (C).

The insert can be removed for loading pellets (**OPERATION TO BE PERFORMED WITH THE INSERT TURNED OFF**) and for any maintenance or cleaning by an Authorised Technical Assistance Centre.

To fit, proceed as follows:

- Check for a power outlet on the back of the insert, so that it is accessible once installation is complete.
- After evaluating the proper position of the insert, lift it using the two handles on the sides of the insert (D – Fig. 1), from the base plate (A – Fig. 1).
- Secure the base plate (A – Fig. 2) on the base using bolts through the holes positioned on the perimeter of the plate (X – Fig. 5).

Alternatively, to secure the above plate, you can use the existing holes in the same base plate (Y – Fig. 5) and countersunk screws (the screw head must not protrude more than 2 mm from the base plate).

The customer can make other holes, being careful not to do so in line with the guides (Z – Fig. 5)

- Fit the flue (not supplied) on the smoke duct (B) and the  $\varnothing$  40 mm tube (C1 – not supplied) on the primary air duct (C). The  $\varnothing$  40 mm tube (C1 – not supplied) can be installed from below the base plate (A), see Fig. 3.

- Replace the insert (Fig. 4) by sliding it on the base plate (A – Fig. 2) until it stops (the insert must fit in the two slots (E – Fig. 2) in the front part of the base plate (A – Fig. 2), taking care that the power supply cord is not crushed between the two plates.

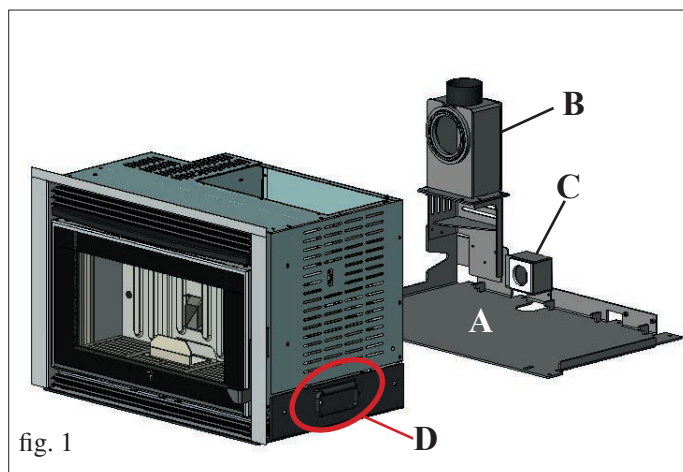


fig. 1

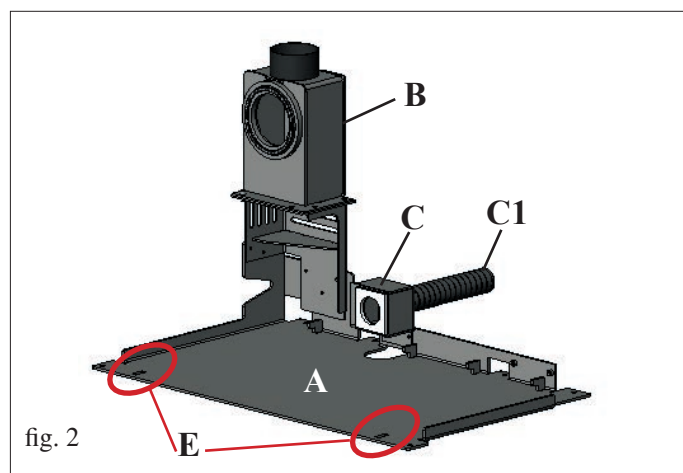


fig. 2

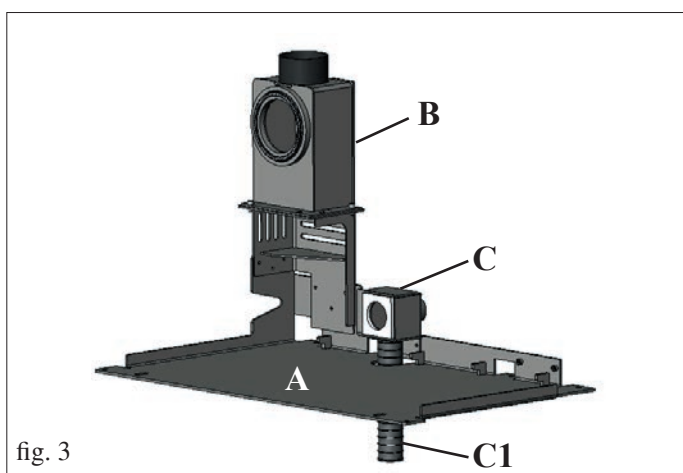


fig. 3

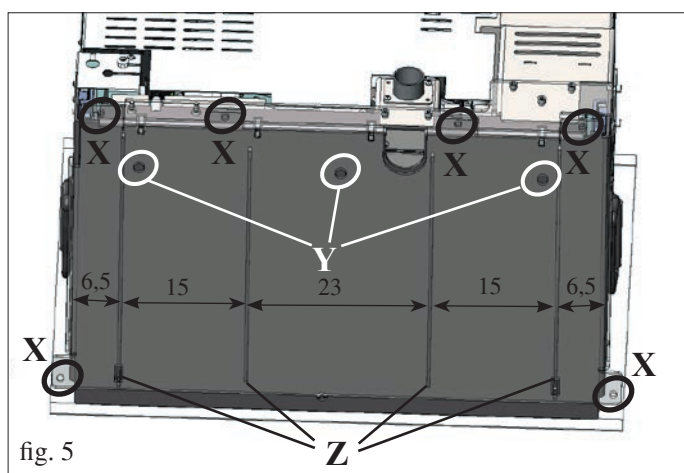


fig. 5

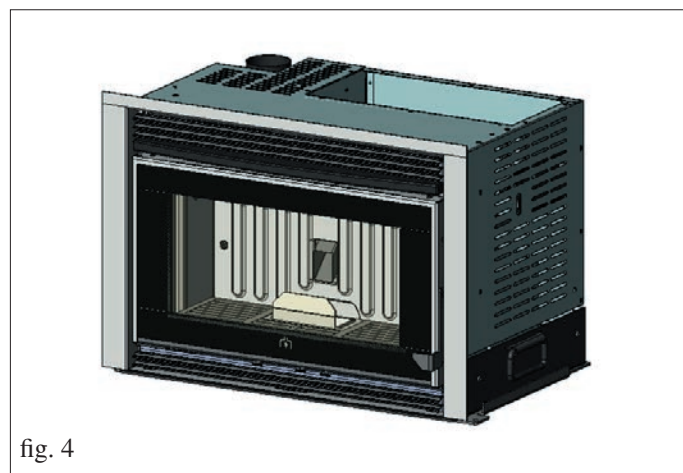


fig. 4

# INSTALLATION

## EXTRACTION OF THE INSERT

To extract the insert, proceed as follows:

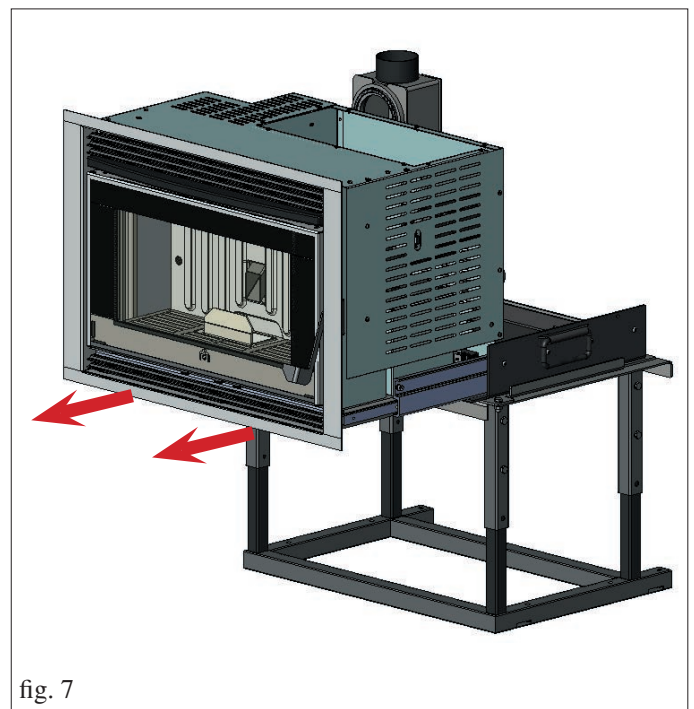
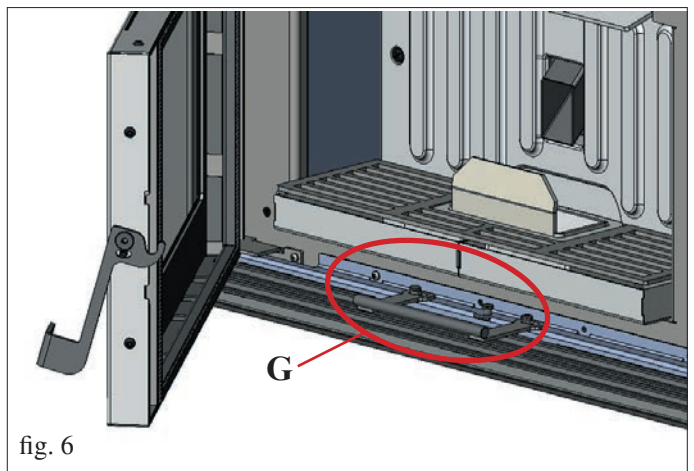
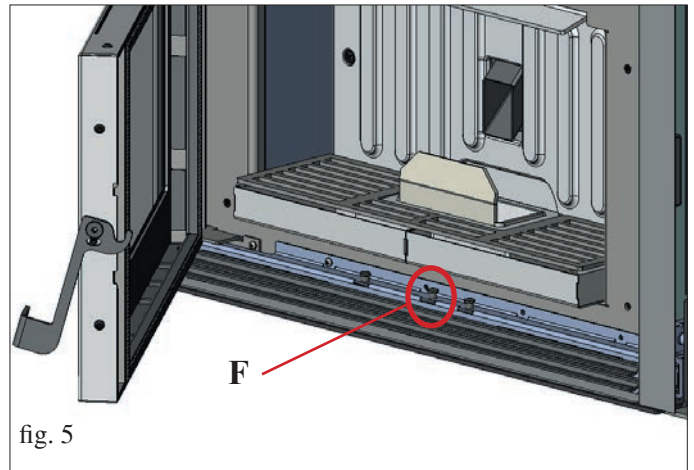
**CAUTION:**  
**BEFORE PROCEEDING, MAKE SURE THAT THE IN-**  
**INSERT IS FIXED TO THE BASE**

- Open the door and lift the slide lock (F – Fig. 5).

- Attach the handle provided to the two pins fixed to the lower grille (G - fig. 6) and pull the insert towards you as far as it will go (fig. 7).

- Using the handle (G – Fig. 6), pull the insert towards you until it stops (Fig. 7).

- Each time the insert is removed, a security system cuts off the power supply. Should the insert be removed involuntarily during ignition, operation or while switching off (including while blocked), the “Power failure” block phase will be launched when the insert is reinserted. Wait for the block phase to end before reactivating the insert.



# INSTALLATION

## INSTALLATION OF THE PELLET LOADER KIT (Optional)

**N.B.: THE PELLET LOADER KIT ALLOWS PELLETS TO BE LOADED IN THE HOPPER FROM THE FRONT WITHOUT HAVING TO TURN OFF THE INSERT.**

The insert is already prepared for the installation of the pellet loader on the mantel.

**ATTENTION:  
THE OPERATION MUST BE PERFORMED BEFORE  
INSTALLING THE INSERT.**

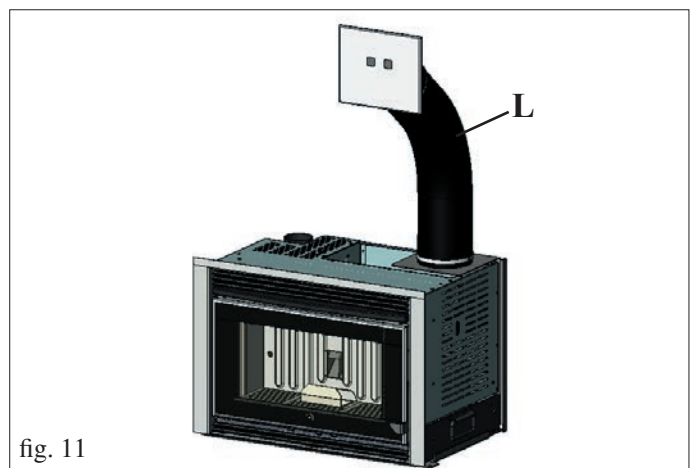
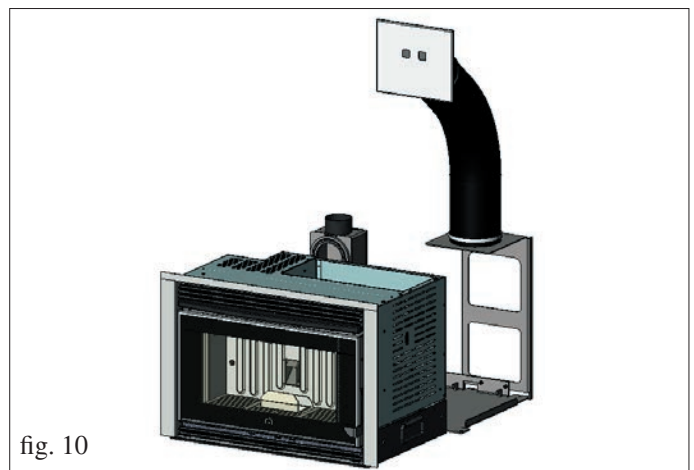
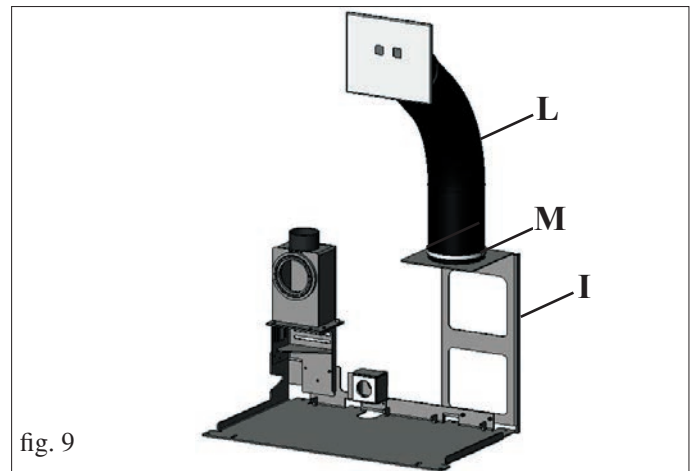
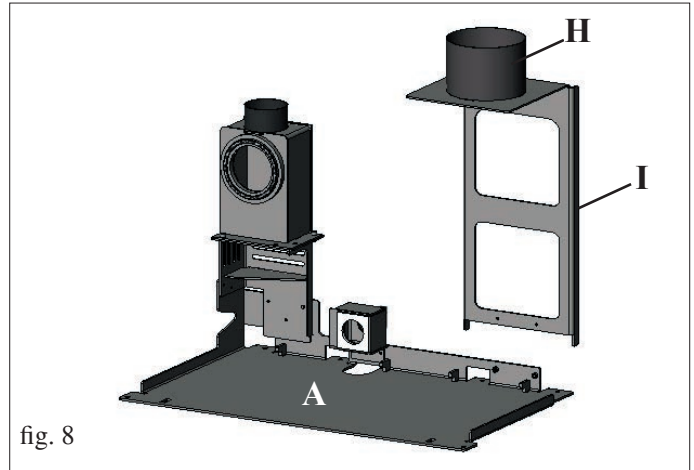
To fit, proceed as follows:

- Install the bracket for centring the pellet loading tube (I – Fig. 8) on the base plate (A).

Fit the pellet loading tube (L - fig. 9) on the collar of the bracket collar (H - fig. 8), securing it with the clamp supplied (M - fig. 8).

- Proceed with the installation of the insert (Fig. 10-11) as described in the previous pages.

- For the installation of the loading mouth (L – Fig. 11), see the pages that follow.



# INSTALLATION

## Note:

- The loading mouth can be installed on the front, on the right side of the mantel.
- **Shortening the pellet loading tube** (supplied with a length of 80 cm), **depending on the position of the hearth, is mandatory so that it stays taut, in order to facilitate the pellets dropping into the hopper.**
- **Before fully closing the mantel, carry out pellet loading test to make sure they drop correctly.**
- **Correctly insulating the loading tube is mandatory as it must not come into contact with the smoke channel.**

## 1st phase

### INSTALLING THE LOADING INLET WITH DOOR

(fig. 12 and 13)

- Only mount the front or side wall of the mantel, onto which the loading inlet will be attached;
- **complete the mantel only after verifying the correct operation of the entire loading system.**
- Make a 18.5 x 18.5 cm hole.
- Secure the loading inlet to the mantel using the self-tapping screws supplied, using the holes on the mantel frame; reinforce the plasterboard, attaching metal profiles on the rear (fig. 13).

## 2nd phase

### INSTALLING THE LOADING TUBE (fig. 13 and 14)

- Secure the flexible tube to the outlet on the loading inlet using the clamps supplied (fig. 13)
- Cut the tube to size and fit the end of the tube on the centring bracket (**H** - fig. 14) and fasten it using the clamps provided.

## 3rd phase

### COMPLETING THE MANTEL

**Before fully closing the mantel, carry out pellet loading test to ensure the pellets are dropped correctly and there are no obstacles to proper loading.**

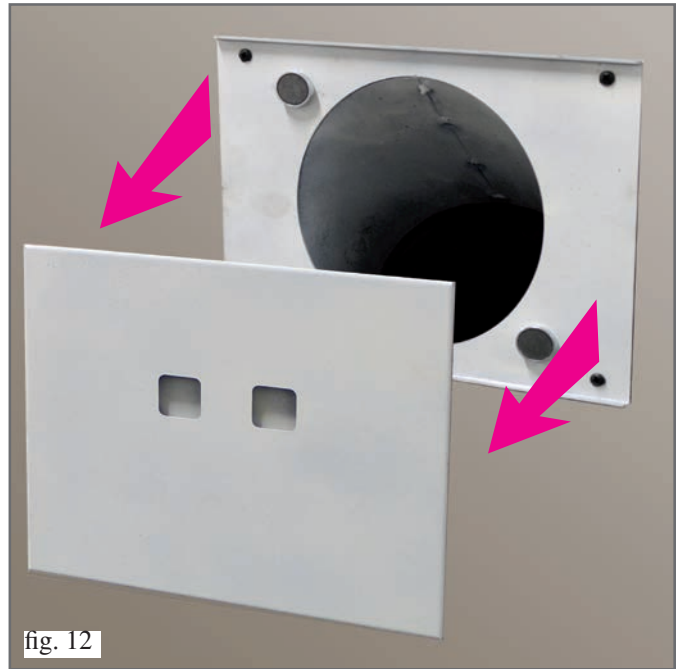


fig. 12

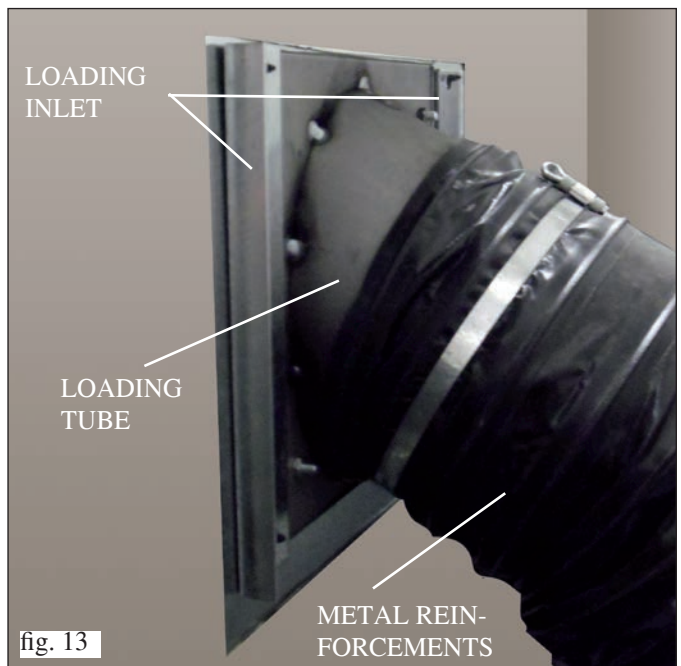


fig. 13

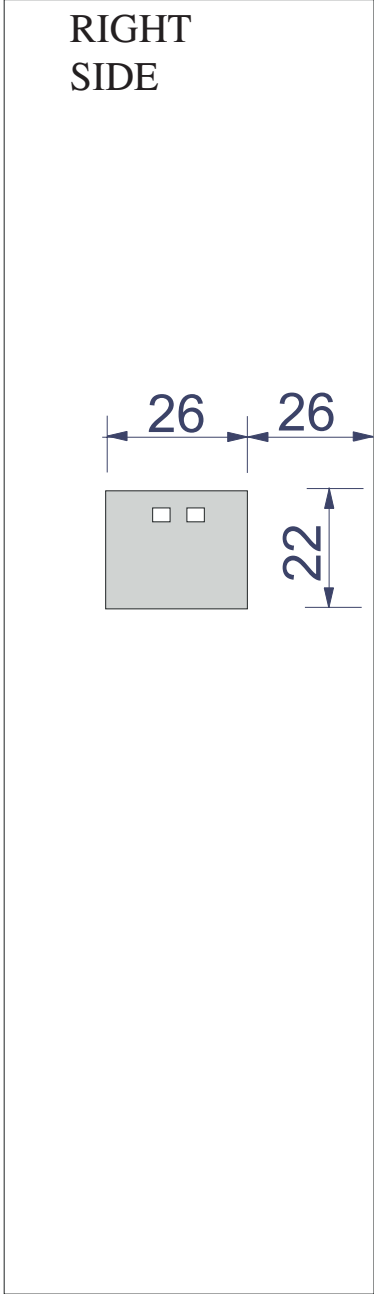
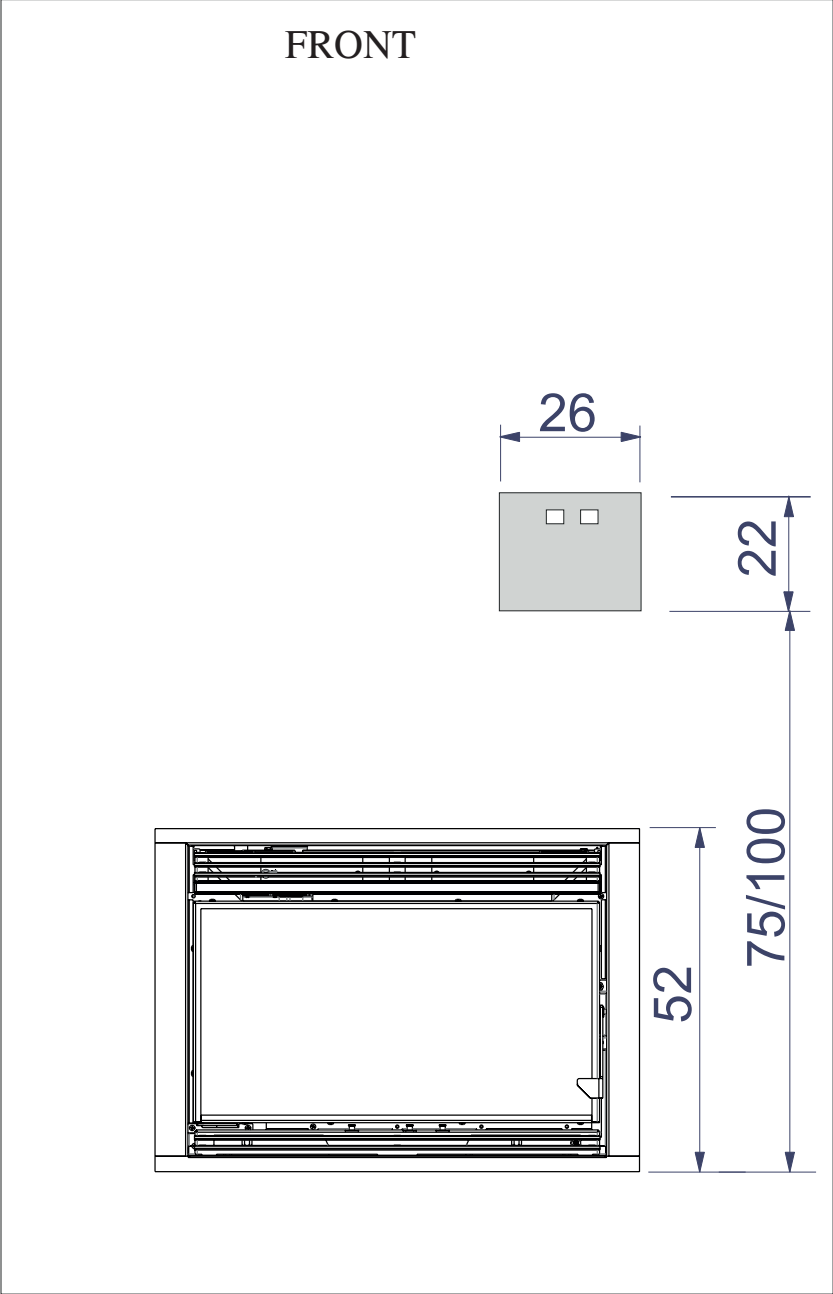


fig. 14

# INSTALLATION

## DIAGRAM FOR MAKING THE FIXING SLOT OF THE INLET WITH PELLET LOADING DOOR (approximate measurements)

ENGLISH



# INSTALLATION

## INSTALLATION OF THE PELLET FRONT LOADING DRAWER KIT (optional)

**N.B.: THE INSTALLATION OF THE PELLET FRONT LOADING DRAWER ALLOWS PELLETS TO BE LOADED IN THE HOPPER FROM THE FRONT WITHOUT HAVING TO TURN OFF THE INSERT.**

The insert is already prepared for the installation of the pellet front loading drawer complete with vent surround frame.

**ATTENTION:  
THE OPERATION MUST BE PERFORMED BEFORE  
INSTALLING THE INSERT.**

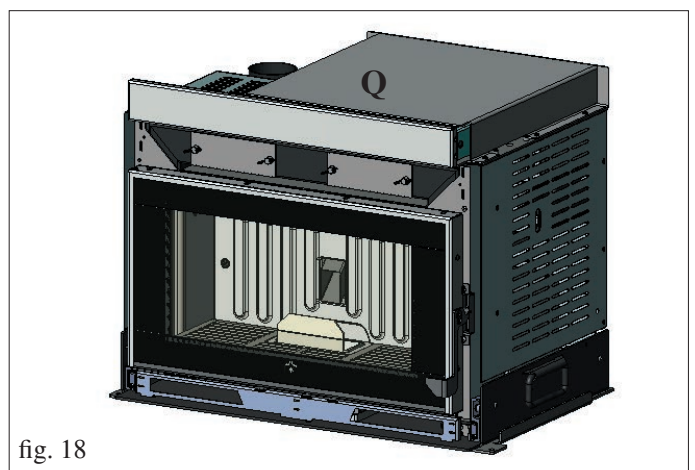
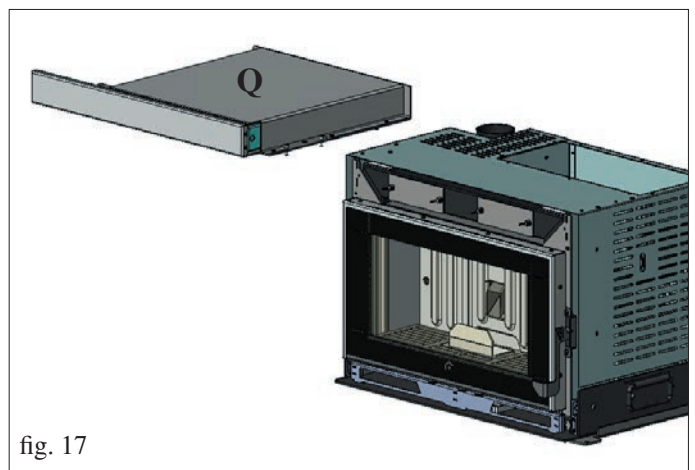
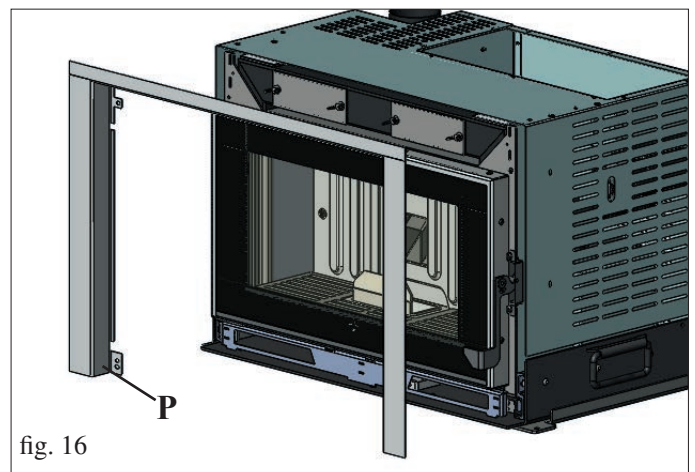
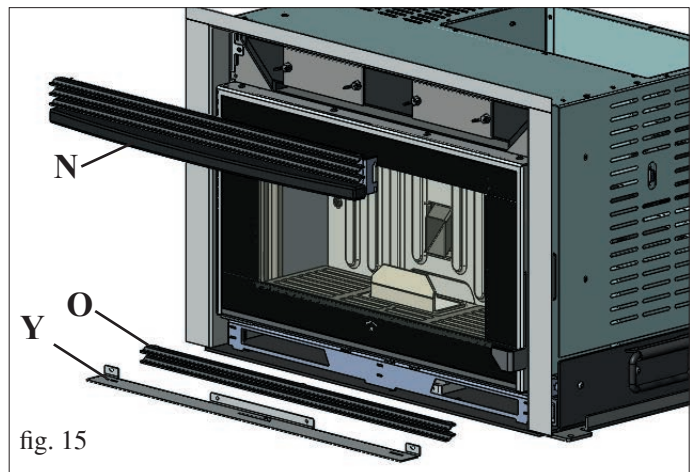
To fit, proceed as follows:

- Remove the slotted-in upper grille (N – Fig. 15), the lower grille (O – Fig. 15) and the metal profile plate (Y – Fig. 15) using the screws.

Take care not to overtighten the bolt securing the top grille and deform it; it must be possible to unscrew it/screw it back in during maintenance.

Remove the vent surround frame (P – Fig. 16) from the structure using the screws.

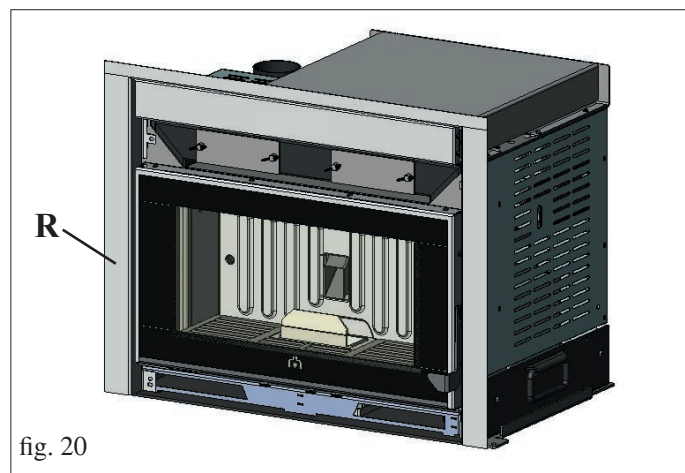
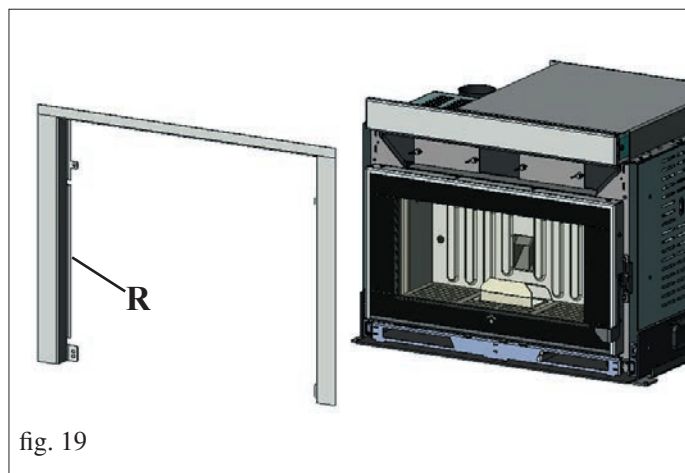
- Proceed with the installation of the pellet loading drawer (Q – Fig. 17-18) on top of the insert using the screws provided.



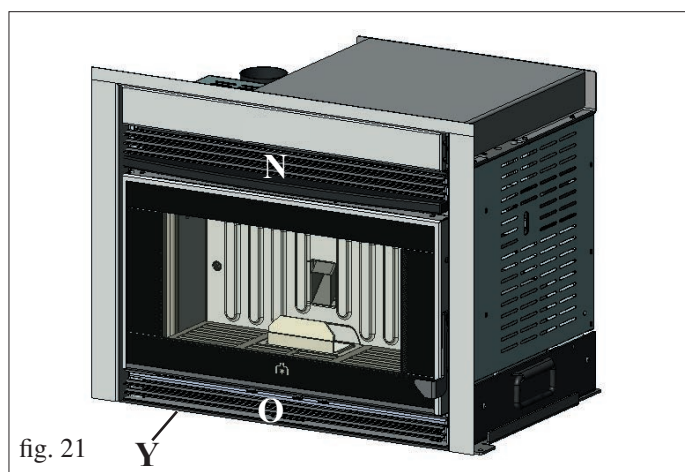


# INSTALLATION

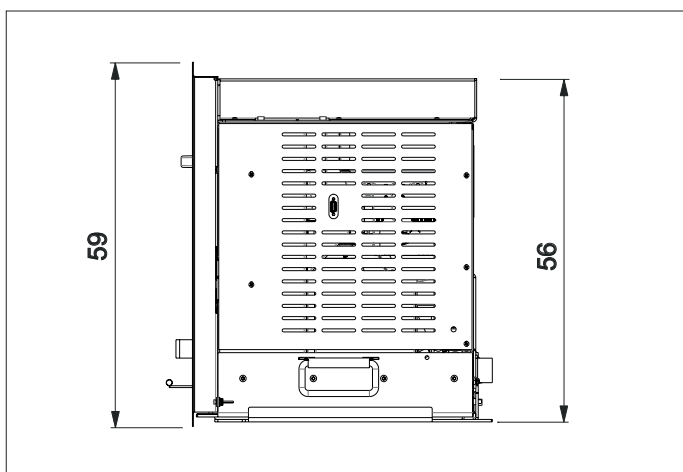
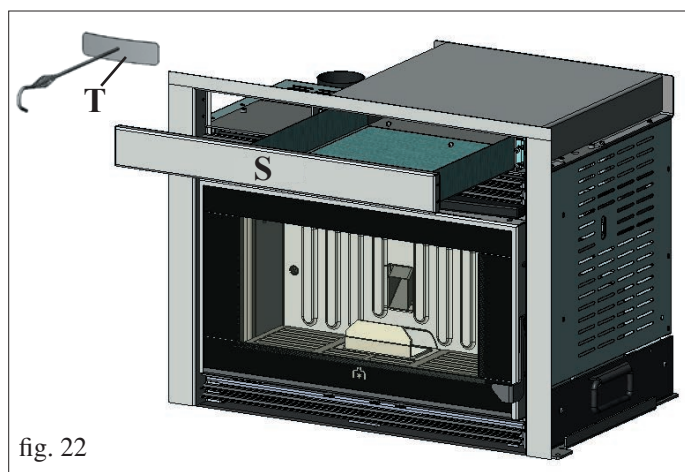
- Mount the vent surround frame (**R** – Fig. 19-20) supplied with the pellet loading drawer, in place of the one previously removed.



- Refit the slotted-in upper grille (**N** – Fig. 21), the lower grille (**O** – Fig. 21) and the metal profile plate (**Y** – Fig. 21) using the screws previously removed.



- Open the pellet front loading drawer (**S** – Fig. 22), load the pellets by pushing them inside the drawer using the scoop provided (**T** – Fig. 22).



# INSTALLATION

## N.B.: IMPORTANT FOR INSTALLATION CONDITIONS



\* Provide two aeration grilles (area larger than 100 cm<sup>2</sup>), the first one under the insert and the second positioned at least 50 cm above the insert or anyway communicating with the internal compartment where the insert is positioned. These grilles prevent the accumulation of heat inside, which is then used to help heat the room of installation.

### NOTES ON FITTING THE COVERING

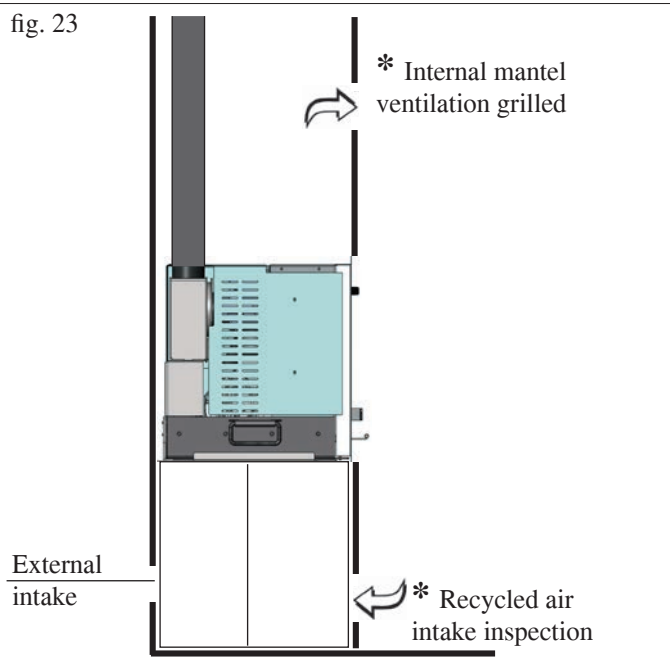
In using a prefabricated Edilkamin covering, to identify the exact position of PELLKAMIN is important to verify the model of the covering to be used. Positioning differs according to the model chosen (see assembly instructions given in the packaging of each covering). Always check that installation is perfectly vertical and horizontal.

### COVERINGS, COUNTER-HOODS AND THEIR VENTILATION

Before installing the covering, check that all connections, commands and moving parts are perfectly functional. Check this with the insert on and working for a few hours. Do so prior to fitting the covering in order to intervene as necessary. Finishing works, such as construction of the counter-hood, covering assembly, pilaster preparation, painting, etc., should be carried out once the final test has been passed. Edilkamin will therefore not be held liable for any charges deriving from both demolition and reconstruction works, even where consequent to replacement of any faulty insert parts.

### METAL PROFILE FINISHING PLATE (X) FOR MOUNTING OF “FRAME” COVERINGS (supplied)

After removing the lower grille, you can mount, on the lower base of the structure, the “angular” metal finishing profile (X – for “frame” coverings or plasterboard) in place of the metal profile plate (Y) previously mounted (see Fig. 24).



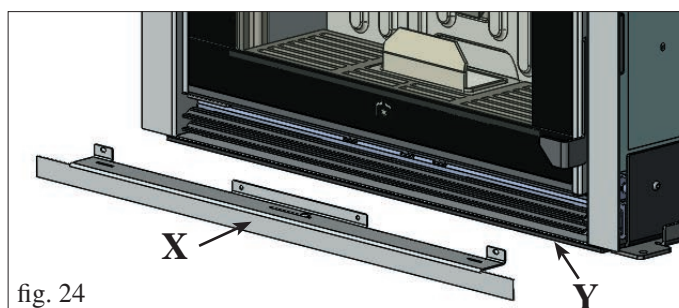
Rather, at least 1 cm. (approx.) space must be left to allow air to flow, thereby preventing heat from accumulating. The counter-hood can be created from fireproof plasterboard panels or plaster sheets. When creating this, the air circulation grill must be included, as previously specified.

- THE MANTEL CAN BE CONSTRUCTED WITH FIRE RESISTANT PANELS IN PLASTERBOARD OR GYPSUM BOARD.

- AERATION GRILLES FOR PREVENTING ANY EXCESS TEMPERATURE INSIDE MUST BE PROVIDED FOR DURING CONSTRUCTION (fig. 23).

During the construction phase of the covering it is fundamental to ensure that the combustion air is restored to prevent pressure phenomena in the room where the fireplace is installed (refer to the Chapter regarding the external air inlet on page 40)

In addition to the above, always consider the indications given by paragraphs 4.4 and 4.7 of standard UNI 10683 “insulation, finishes, coverings and safety recommendations”.



# INSTALLATION

## OPTIONAL BASE

Place the bottom of the base (1 - Fig. 25) in the selected position.

Provide a power outlet on the back of the insert, so that it is accessible once installation is complete.

Secure the lower part of the base to the floor with 8-mm diameter steel anchors in order to prevent it from tipping over.

Place the top of the base (2 - Fig. 25), adjusting it to the desired height using the bolts provided (3 - Fig. 25).

At this point, proceed with the installation on the base, using the bolts supplied, of the base plate (A - Fig. 26) supplied with the insert.

Continue with the installation of the insert as shown on page 41

**Failure to follow the above instructions can cause the insert to tip over with possible serious injury to the user.**

**ONLY after securing the base to the floor can the insert be placed on the base.**

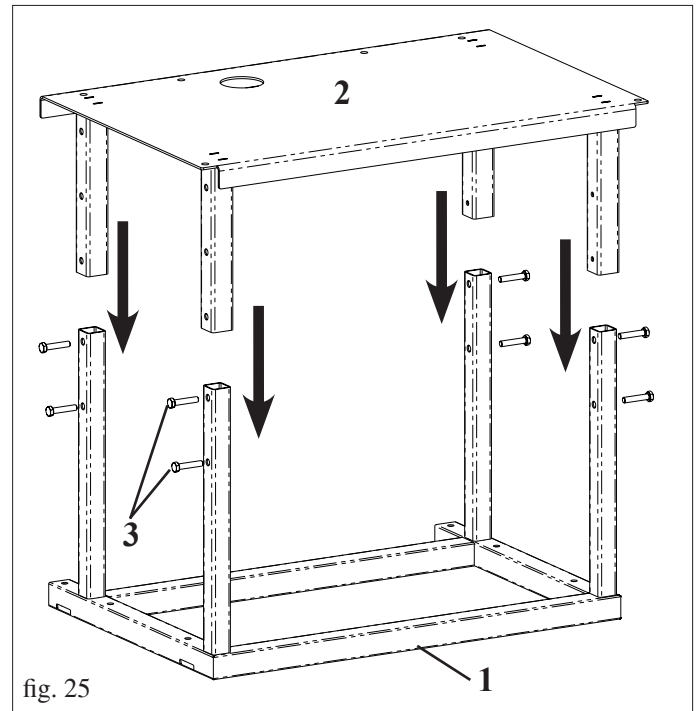


fig. 25



fig. 26

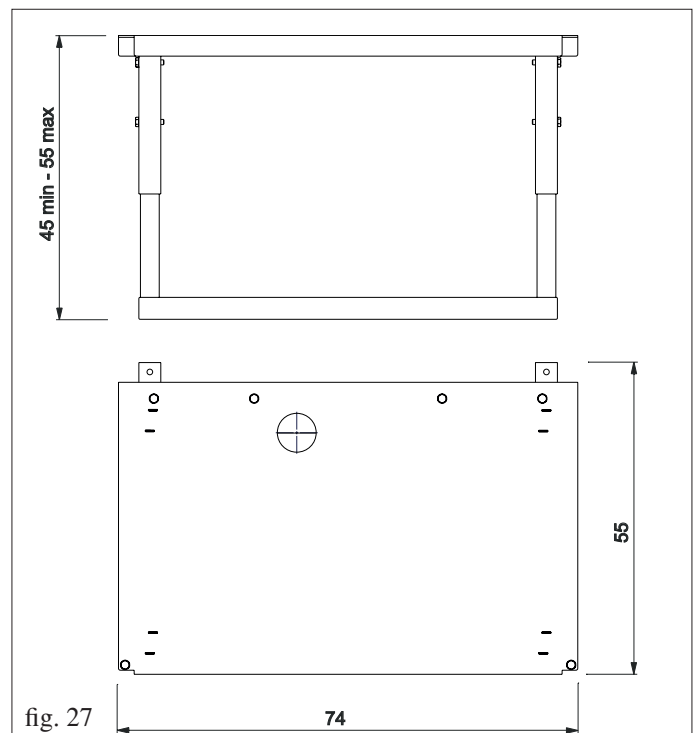


fig. 27

---

# INSTRUCTIONS FOR USE

---

Commissioning must be done by a Technical Service Centre authorised by Edilkamin (CAT) prior to ignition and testing according to the UNI 10683/2012 standard.

This standard indicates the control operations to be carried out, aimed at ascertaining correct system function.

The CAT will also provide for calibrating the stove on the basis of the type of pellets and the installation conditions, thus allowing for the effectiveness of the guarantee.

If the first ignition is not carried out by a C.A.T. authorised by Edilkamin, the guarantee shall not be effective.

For information, consult the website [www.edilkamin.com](http://www.edilkamin.com)

There may be a slight smell of paint the first few times it is ignited, however, this will disappear quickly.

Before igniting you must check:

- that installation is correct
- the power supply
- that the door closes properly to a perfect seal
- that the combustion chamber is clean
- that the display is on standby (the date, power or temperature flashes).

## **NOTE regarding the fuel.**

PELLKAMIN is designed and programmed to burn wood pellets with 6 mm diameter.

Pellets are a type of fuel in the form of little cylinders, made from compacted sawdust, compressed under high pressure with no adhesives or foreign materials.

They are sold in bags of 15 kg.

For the insert to function properly, you **MUST NOT** burn anything else in it. Using other materials (including wood) will render the warranty null and void. Such use is detected by laboratory analyses. Edilkamin has designed, tested and programmed their stoves to guarantee the best performance when pellets with the following characteristics are used:

**diameter: 6 millimetres**

**maximum length: 40 mm**

**maximum moisture content: 8%**

**calorific value: at least 4100 kcal/kg.**

If pellets with different characteristics are used, the stoves must be recalibrated using a similar procedure to that carried out by the DEALER when the insert is ignited the first time. Using unsuitable pellets may: decrease efficiency; cause malfunctions; stop the stove from functioning due to clogging, dirt on the glass, unburnt fuel, etc.

A simple, visual analysis of the pellets may be carried out:

**Good quality:** smooth, uniform length, not very dusty.

**Poor quality:** with longitudinal and transverse cracks, very dusty, various lengths and mixed with foreign matter.

# INSTRUCTIONS FOR USE

## REMOTE CONTROL

This controls all the functions.

### Key to buttons and display:

 : to turn off and on (to go from remote control on stand-by to remote control on)

+/- : to increase/decrease the various regulations

A : to select Automatic function

M : to select Manual function and access the control and programming menus



- icon flashing: remote control searching for network
- icon fixed: remote control with connection enabled



keypad locked (press "A" and "M" in parallel for a few seconds to lock or unlock the keypad)



flat battery (3 mini alkaline batteries type AAA)



programming enabled



alphanumeric display consisting of 16 figures arranged in two lines of 8 figures



- icon flashing: Insert turning on
- icon fixed: Insert working



manual adjustment function (display shows working power)



automatic function (display shows temperature)



The display also shows other useful information in addition to the icons described above.

### - Stand-by position:

shows room temperature (20°C), kg of pellets (15 kg) remaining in tank and current time (15.33)

### - Manual work phase:

shows power set (Power 1), room temperature (20°C), kg of pellets and autonomy remaining (15 kg 21 hrs)

### - Automatic work phase:

shows temperature set (Set 22°C), room temperature (20°C), kg of pellets and autonomy remaining (15 kg 21 hrs).

**DO NOT PRESS THE BUTTON MORE THAN ONCE .**

Note: If the radio control is not used for a few seconds, the display will go dark as it has moved into the power saving function. The display can be reactivated by pressing any button.


# INSTRUCTIONS FOR USE

## Filling the cochlea.

The first time you use the product, or should the tank be completely emptied of pellets, to fill the coclea press both keys “+” and “-” on the remote control at the same time, holding for a few seconds. As you release the keys, the display should show the wording “LOAD”. This should be carried out before ignition if the insert has stopped due to having run out of pellets, at the end of operation to empty the combustion pot before turning.


It is quite normal for some pellets to remain, that the cochlea cannot suction.

## Automatic igniting.

With the insert on stand-by, press and hold the key , on the remote control for 2 seconds. This will start-up the ignition procedure, showing the wording “START”. At the same time, a countdown in seconds begins (from 1020 to 0). Ignition is not at a preset time, however: its duration is automatically shortened if the board reports that certain tests have been passed. The flame appears after about 5 minutes.

## Manual igniting.

Temperatures of below 3°C will not allow the electrical resistance to heat sufficiently. In this case, or should the resistance be temporarily out of action, Diavolina® type fire-starters can be used.

Insert a piece of lit Diavolina into the combustion chamber, close the door and press  the remote control.

## POWER REGULATION


### • Remote control manual operation

With the insert working, press the key “M” on the remote control once. The display will show the word “POWER P”. (specifying the power at which the insert is working). Press the keys “+” or “-” to increase or decrease the insert’s working power (from “POWER P1” to “POWER P5”).

### • Remote control automatic operation

Press key “A” to switch to automatic operation, adjusting the temperature desired for the room (use the “+” and “-” keys to set the temperature from 5°C to 35°C, and the insert will regulate working power required to reach the temperature set. If a temperature below that of the room is set, the insert will stay on “POWER P1”.

## Turning off

With the insert running, press and hold the key , from the remote control for 2 seconds. The turn-off procedure will begin, showing a countdown on the display from 9 to 0 (for a total of 10 minutes).

The turn-off phase involves:

- Interruption of pellet supply
- Maximum ventilation.
- Smoke expulsion motor.

Never pull the plug out whilst the device is still in the process of turning off.

## OPERATIONS THAT CAN ONLY BE CARRIED OUT BY REMOTE CONTROL

### Clock regulation

Press and hold the key “M” for 2 seconds to access the “Clock” menu. This allows you to set the internal electronic board clock. By then pressing the key “M”, the following data appears in sequence and can be regulated:

day, month, year, hour, minutes, day of the week.

The wording “SAVE??” will appear for confirmation with “M”. This will allow you to check that the operations performed are correct, prior to completion (the wording “SAVE” will then be shown on the display).

### Weekly timer

Press and hold the “M” key on the remote control for 2 seconds. This turns on the clock regulation and by pressing the “+” key, the weekly timer function is accessed, with the display showing the description “PROGRAMM ON/OFF”.

This function allows you to set a number of times the insert turns on and off per day (up to a maximum of three), each day of the week.

As you confirm the display with the key “M”, one of the following options will appear:

NO PROG. (no programme set)

DAILY PROGRAM (single programme for every day of the week)

WEEKLY PROGRAM. (specific programme for each day individually)

Use the “+” and “-” keys to switch between programmes.

Use key “M” to confirm the option “DAILY PROGRAM” to choose the number of programmes (turn on/off) to be carried out per day.

Use the “DAILY PROGRAM” to set identical programme/s for every day of the week.

By then pressing the “+” key, the following can be seen:

- Prog. no.

- 1st prog. (one turn on and one turn off per day), 2nd prog. (identical), 3rd prog. (identical)

Use the “-” key to show in reverse order.

If the 1st programme is selected, the turn on time is shown.

The display shows: 1 “ON” at 10 Use the “+” and “-” key to change the hour. Confirm with the “M” key.

The display shows: 1 “ON” at 30 Use the “+” and “-” key to change the minutes. Confirm with the “M” key.


The same applies for the turn-off time to be set and for subsequent turning on and off.

Confirm by pressing “M” and the wording “SAVE??” will appear on the display.

When confirming “WEEKLY PROGRAM”, you will need to choose the day to which the programming is to apply:

1 Mon ; 2 Tues; 3 Wed; 4 Thurs; 5 Fri; 6 Sa; 7 Sat

Once you have chosen the day, use the “+” and “-” key and confirm with the “M” key, to programme in the same way as for the “DAILY PROGRAM”, choosing whether or not to enable a programme for each day of the week, and if so choosing number of interventions and at what times.

Should you make an error during programming, you can leave the programme without saving. As you press a key, , the display will show the word “no SAVE”.

# INSTRUCTIONS FOR USE

## Changing pellet loading

Press the “M” button for two seconds from the radio control and scroll the display instructions with the “+” and “-” buttons. You will come across the message “User menu” and when you confirm, the message “ADJ-PELLET and ADJ-DRAUGHT” will appear.

If we set “Auto-adjust. ON”, the system will automatically adjust pellet dropping. Alternatively, if we set “Auto-adjust. OFF,” we can manually correct pellet dropping, varying the range in terms of percentages (+/- 30 %).

By confirming this function with the menu key, you can access the function to adjust pellet loading. By decreasing the value set, pellet loading is decreased. By increasing the value set, pellet loading increases. This function is useful if changing the pellet type for which the insert has been calibrated and loading therefore needs correcting.

Should this correction not suffice, contact the Edilkamin-authorized Dealer, to establish the new operating axis.

## Notes on flame variability

Flame status may vary depending on the type of pellet used, in addition to normal solid fuel flame variability and regular combustion chamber cleaning carried out automatically by the boiler.

(N.B.: which does NOT replace necessary cold suction by the user prior to ignition).

## RESERVE WARNING

The PELLKAMIN is fitted with an electronic function that detects the residual quantity of pellets in the tank. The detection system is integrated into the electronic board, allowing you to see how many hours and kg are left until pellet exhaustion, at all times. For correct system function, it is important that the following procedure is followed during the first ignition (by the Dealer).

## Pellet reserve system

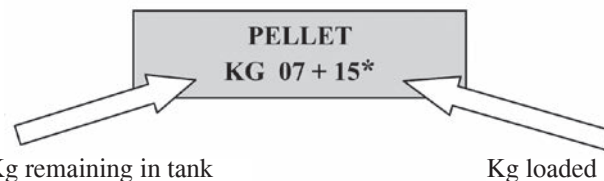
Before enabling the system, you need to load a sack of pellets into the tank and use the PELLKAMIN until the loaded fuel has run out. This allows for a short system road test. After this, the tank can be filled completely and the PELLKAMIN started up.

When running, at the time at which a whole 15 kg sack of pellets can be loaded, the display will show the word “Reserve” flashing.


At this point, after having poured in a sack of pellets, you need to ‘inform’ the memory that you have loaded 15 kg.

To do so, proceed as follows:

1. press the “M” key (for approximately 3-4 seconds) until the word “Clock” appears.
2. press the “+” key until the word “Reserve” appears.
3. press the “M” key until the following screen appears,



then use the “+” key to take the figure (\*) to the value equal to the Kg of pellets loaded (15 kg in the above example).

4. press the “M” key to confirm
5. press the key  to exit.

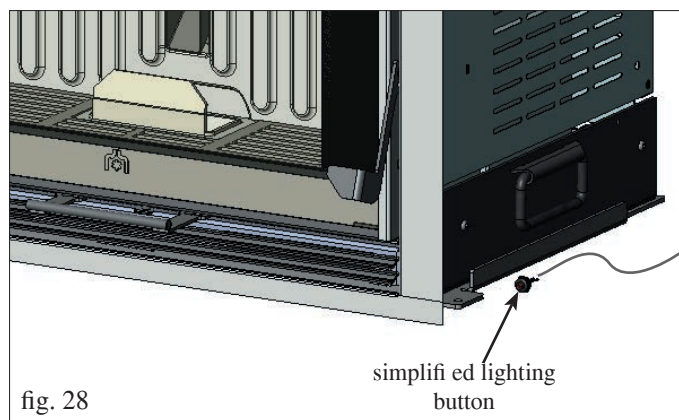
After having completed the above procedure, after having consumed the 15 kg, the wording “Reserve” will appear flashing at intervals. After which the operation must be repeated, from point 1 to point 5.

## SIMPLIFIED LIGHTING BUTTON

If the radio remote control device does not work, you can carry out the basic functions by means of a 1,20-metre cable, complete with simplified on-button, to be placed near the insert by the installer (see Fig. 28).

Press the button once or multiple times to activate the desired function:

1. A PELLKAMIN OFF by pressing the red button for 2 seconds this turns on.
2. A PELLKAMIN ON by pressing the red button for 2 seconds this turns off.
3. A PELLKAMIN ON manual mode, by pressing the red button, you go from P1 to P3.
4. A PELLKAMIN ON automatic mode, by pressing the red button, you go from 5°C to 30°C.



The simplified ON-button may be positioned near to the insert, taking care to choose an installation point where temperatures do not rise above 60°C.

Alternatively, it can be positioned inside the electricity box supplied.

The button supplied can be substituted with another normally open (NO) button, of any type or brand.

The button is wired separately from the power cables (230 VAC) with a maximum length of 2.0 m. For longer distances, use a decoupling relay.

# MAINTENANCE

ENGLISH

Before performing any maintenance, disconnect the appliance from the mains.

Regular maintenance is required for the insert to function correctly.

Any problems resulting from lack of maintenance will immediately void the warranty.

## DAILY MAINTENANCE

Operations must be performed when the stove is off, cold and unplugged from the power supply

- Cleaning must be carried out with a vacuum cleaner (see optional extras page 58).
- Open the door, extract the firebox (1 - fig. A) and tip the residue into the ash drawer (2 - fig. A).
- **DO NOT EMPTY THE RESIDUE OUT INTO THE PELLET HOPPER.**
- Remove the ash grill (3 - Fig. A), clean any debris clogging the holes.
- Pull the ash drawer (2 - fig. A) out and empty it into a nonflammable container (the ash may still have some parts that are hot and/or embers).
- Vacuum the inside of the fireplace, the hearth, the space around the crucible and in the side inspections (4 - fig. A) where the ash falls.

**NB: the two ash drawers must be repositioned so as to approach them as much as possible to the side walls where there occur the inspections.**

- Remove the firebox (1 - fig. A) and remove any encrustation using the brush provided, clearing any clogging in the holes.
- Vacuum the firebox, clean the contact edges between the firebox and its seating.
- Clean the glass, if necessary (when cold).

We remind you that using without cleaning the melting pot, may cause a sudden ignition gas inside the combustion chamber with the consequent breaking of the glass.

Never vacuum hot ash, it can make the vacuum cleaner breakdown and represents a fire risk.

**ATTENTION:  
MAKE SURE THE ASH TRAY IS CORRECTLY POSITIONED IN ITS HOUSING**

## WEEKLY MAINTENANCE

- Clean the combustion chamber (with brush).
- Vacuum the hose located near the electrical resistance (5 - fig. B).
- Remove the ceiling (6 - fig. B) and tip the residue into the ash drawer.

**N:B: reposition the ceiling with the arrow pointing outwards**

- Clean the combustion chamber

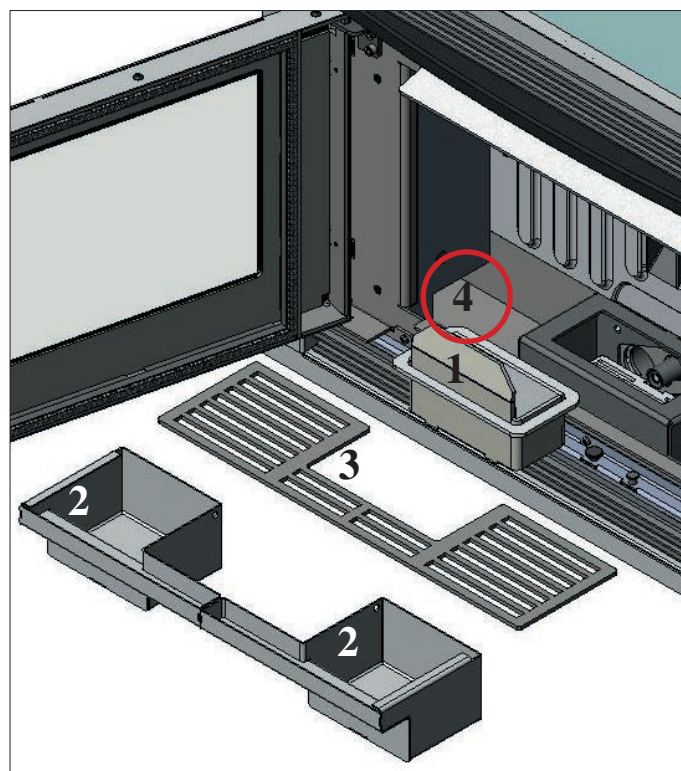


fig. A

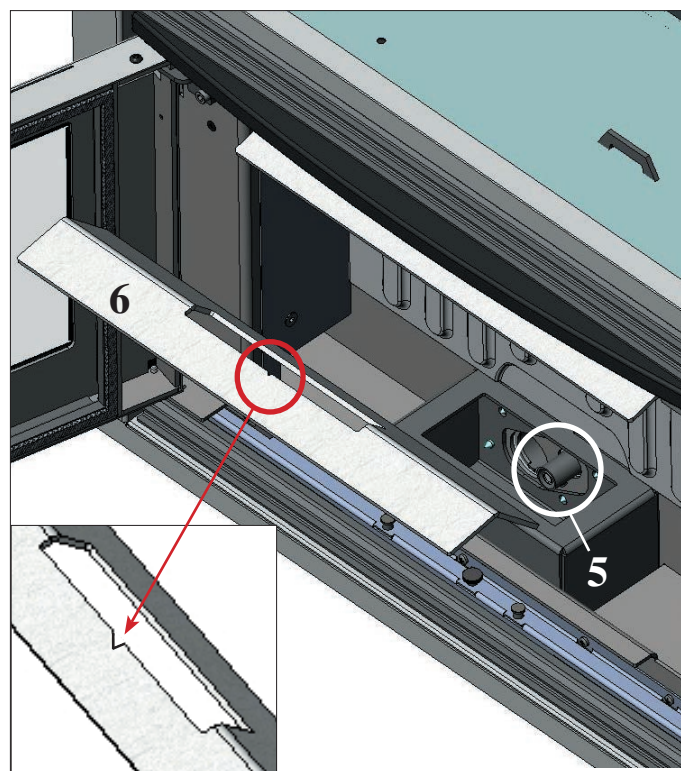


fig. B



# MAINTENANCE

## SEASONAL MAINTENANCE

(implemented by the DEALER)

Consists of:

- Clean the stove internally and externally
- Clean the discharge pipes inside the slotted-in upper grille thoroughly (6 – Fig. C)  
(Take care not to overtighten the bolt securing the top grille and deform it; it must be possible to unscrew it/screw it back in during maintenance).
- Clean the crucible and the relative chamber thoroughly and remove encrustation
- Clean the smoke-extractor fan, mechanical check on play and fixings
- Clean the flue (replace the gasket on the flue pipe if necessary)
- Clean the smoke duct
- Empty the pellet hopper and vacuum the bottom.
- Clean the smoke extractor fan compartment, check the thermocouple
- Clean, inspect and remove encrustations on the ignition resistance chamber, replace if necessary
- Visually inspect the electric wiring, connections and power-supply cord
- Clean the pellet hopper and check play together with the screw-gear motor
- Check the small pressure-switch pipe, and replace if necessary
- Replace the door gasket
- Test functioning, screw loading, ignition, operation for 10 minutes and switching off

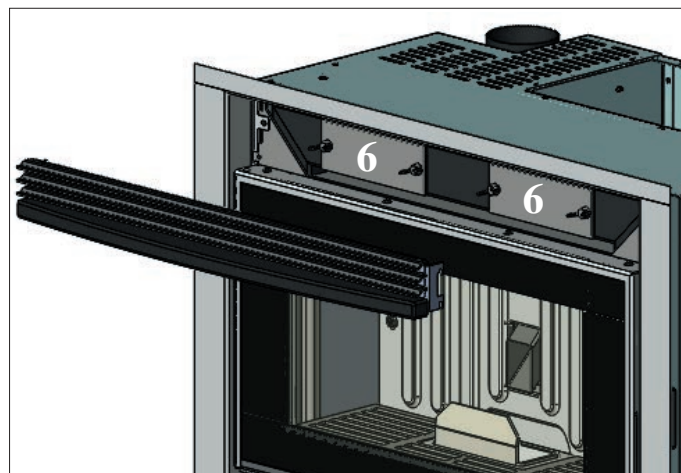


fig. C

**If the insert is used very frequently, it is advisable to clean the smoke channel and the fume duct every 3 months.**


**N.B.**

- Any unauthorised modification is forbidden
- Use spare parts recommended by the manufacturer
- The use of counterfeit parts results in the guarantee becoming null and void

# POSSIBLE TROUBLESHOOTING

In the event of problems the PELLKAMIN stops automatically and runs the shutdown process and the display shows text regarding the motivation of the shutdown (see the various alarms below).

Never pull the plug during shutdown on account of malfunction.

Should it block, to restart the insert you will need to allow the turn-off procedure to take place (600 seconds with audible signal), and then press the button .

Do not turn the stove on again before checking the cause of the malfunction and CLEANING/ EMPTYING the crucible.

## INDICATION OF POSSIBLE CAUSES OF MALFUNCTION AND INDICATIONS AND REMEDIES:

- 1) **Segnalazione:** **Signalling: Verific./extract.:** (this trips if the smoke extraction speed sensor detects a fault)  
**Problem:** **Shutdown for smoke extraction speed fault detection**  
**Actions:**
- Check smoke extractor function (devolution sensor connection) and board (DEALER).
  - Check smoke channel for dirt
  - Verify the electrical system and earthing system.
  - Check electronic circuit board (DEALER).
- 2) **Signalling:** **Stop/Flame:** (this trips if the thermocouple detects a smoke temperature lower than the value set, which it interprets as the absence of flames)  
**Problem:** **Turns off due to drop in smoke temperature**  
- check that there are pellets in the hopper  
- too many pellets have suffocated the flame, check pellet quality (DEALER)  
- the maximum thermostat has intervened (rare, this only intervenes in the event of excessive smoke temperature) (DEALER)
- 3) **Signalling:** **Block FI/NO Start:** (intervenes if a flame fails to appear within a maximum of 15 minutes, or if ignition temperature is not reached).  
**Problem:** **Turns off due to incorrect smoke temperature during ignition**  
Distinguish either of the following cases:  
**Flame does NOT appear**  
**Actions:**
- Check: - combustion chamber position and cleanliness;
  - arrival of combustion air in the combustion chamber;
  - if the heating element is working (DEALER);
  - room temperature (if lower than 3°C use a firelighter) and damp.
- Try to light with a firelighter (see page 52).
- Actions:** **Flames appear, but AF appears on the display after Ar**
- Check: (only by the Dealer)
  - if the thermocouple is working (DEALER);
  - start-up temperature setting in the parameters (DEALER).
  - Repeat start up after having emptying the brazier.
- 4) **Signalling:** **Black Out:** (not a defect of the insert).  
**Problem:** **Turns off due to lack of electricity**  
**Actions:**
- Check electricity connection and drops in voltage.
- 5) **Signalling:** **Fault/RC:** (intervenes if the thermo coupling has failed or is disconnected).  
**Problem:** **Turns off due to thermo coupling failed or disconnected**  
**Actions:**
- Check connection of thermo coupling to board: check function in cold test (DEALER).
- 6) **Signalling:** **smoke °C/high.**  
**Problem:** **turns off due to exceeding maximum smoke temperature.**  
Check (only by the Dealer): pellet type, anomaly in smoke extraction, smoke channel blocked, incorrect installation, gear motor 'drift'
- 7) **Signalling:** **Check button**  
**Problem:** **signals an anomaly on the emergency button**  
**Actions:**
- check maintenance status of the button and its board connection cable.
- 8) **Signalling:** **"Battery check"**  
**Problem:** **The insert does not stop but the error appears on the display.**  
**Actions:**
- The buffer battery of the control board needs changing (DEALER). Remember that it is a component subject to wear.

# POSSIBLE TROUBLESHOOTING

- 9) **Problem:** Remote control not working  
**Actions:**
- Move closer to the insert
  - check the battery and if necessary, replace it.
  - Synchronisation with automatic search on activation: when you put the batteries into the radio control a radio channel search phase will start up automatically, and it will subsequently connect to the product detected. So that this occurs correctly, make sure to switch the product on before inserting the batteries in the radio control, and stay in the vicinity of the antenna in order to achieve radio coverage with certainty.
  - Synchronisation with automatic search and manual activation - it is possible to launch an automatic search for a product manually, simply carry out the following operations after having already put the batteries into the radio control:
    - Go close to the product's antenna and make sure it is connected to the electricity supply.
    - With the display switched off (standby) hold the 0/I key down for 10".
    - After 10" a "NETWORK SEARCH" message appears on the display, then release the 0/I key, as this means that the automatic search has been activated.
    - Automatic tuning of the radio channel will occur within a few seconds.
- 10) **Problem:** FAN BREAKDOWN : problem with one or both of the ambient-air fans  
**Actions:**
- Check correct functioning of the fan (DEALER)
  - Check the mother board and electrical cables (DEALER)
- 11) **Problem:** During ignition, the differential switch trips (DEALER):  
**Actions:**
- Check the condition of the ignition coil, the electrical system, and the electrical components.
- 12) **Problem:** AIR ENTRY CHECK: This signal appears when – during self-diagnosis performed each time the product starts up – the depressurisation value measured inside the combustion chamber exceeds the expected value.  
**Actions:**
- If the signal appears at every start-up, contact the TAC for having the combustion air intake circuit checked: it may be obstructed by dust or other foreign bodies.
- 13) **Problem:** NO DRAUGHT: This signal appears when – during self-diagnosis performed each time the product starts up – the depressurisation value measured inside the combustion chamber is below the expected value. If this signal appears when strong winds are blowing, it may be regarded as normal. This signal may also appear when the flue, or a point along the fume expulsion circuit, starts clogging up due to lack of maintenance/cleaning.  
**Actions:**
- If the signal appears at every start-up, contact the TAC for having the fume expulsion circuit checked.

## NOTA

All signals/warnings remain shown until you intervene on the remote control, by pressing the button .

Do not use the insert before having eliminated the problem.

It is important to tell the Dealer exactly what the panel signals.

After 1000 kg of pellets consumed, the display flashes the wording 'Mainten.'.

The insert works, but you must call the Dealer out to perform extraordinary maintenance.

If due to the quality of pellets or particularly critical installation, the insert becomes clogged earlier, the message "CALL SERVICE" will appear. Proceed as per "Mainten." instructions.

N.B.:

*The combustion chambers and smoke ducts connected to the solid-fuel appliances must be cleaned once a year (check if your country has specific legislation covering this)*

*Failure to regularly check and clean increases the likelihood of a fire in the chimney pot.*

### IMPORTANT!!!

*In the case of a fire in the insert, in the flue or in the chimney, proceed as follows:*

- Disconnect the power supply
- Use a carbon dioxide (CO<sub>2</sub>) extinguisher
- Call the fire brigade

**DO NOT ATTEMPT TO PUT THE FIRE OUT WITH WATER!**

*After the event, have the appliance checked by an authorised Service Centre and have an authorised technician check the flue.*

---

# CHECK LIST

---

To be integrated with a complete reading of the technical specifications

## Positioning and installing

- First ignition performed by authorised CAT who released the guarantee certificate
- Air vent in the room
- Only the insert outlet passes through the smoke channel/chimney flue
- Features of the smoke channel (stretch of duct connecting the insert to the flue/chimney):
  - a maximum of 3 curves,
  - a maximum 2 horizontal metres
- Chimney pot that is high enough to avoid downdraft areas
- The discharge pipes are made of a suitable material (stainless steel is recommended)
- When using any flammable materials (e.g. wood), all precautions have been taken to prevent a fire hazard

## Use

- Good quality, dry pellets are used
- The chimney pot and ash compartment are clean and well positioned
- The door is closed properly
- The combustion chamber is inserted properly into the relevant compartment

**REMEMBER TO VACUUM THE COMBUSTION CHAMBER BEFORE EACH IGNITION**  
**Should ignition fail, DO NOT re-ignite until you have emptied the combustion chamber.**



In accordance with art. 26 of Legislative Decree no. 49 of 14th March 2014, "Implementation of Directive 2012/19/UE on the disposal of electrical and electronic devices (RAEE)".

The crossed-out dustbin symbol displayed on equipment or its packaging indicates that the product at the end of its life must be collected separately from other waste.

At the end of its useful life, the user should therefore deliver the product to a suitable local sorted collection centre for electrical and electronic devices.

Sorted collection for recycling, treatment and environmentally compatible scrapping contributes to the prevention of negative effects on the environment and health, and promotes the re-use and recycling of the materials of which the equipment is made.

---

# NOTES

---

**DATE AND STAMP INSTALLER**

.....

**DATE AND STAMP CAT. FIRST IGNITION**

.....

**DATE AND STAMP ANY SERVICING**

.....

.....

.....

.....

**DATE AND STAMP SEASONAL MAINTENANCE**

.....

.....

.....

.....

**DATE AND STAMP DEALER**

.....

**DATE AND STAMP CAT.**

.....

*For further clarification or requirements, visit our website [www.edilkamin.com](http://www.edilkamin.com)*

**NOTES:**







[www.edilkamin.com](http://www.edilkamin.com)

cod. 941198-GB 12.17/H