

PELLET BOILER STOVE

BLADE H 15



Upgrade www.edilkamin.com

The original language of this manual is Italian

The undersigned EDILKAMIN S.p.A., with registered office in
Via P. Moscati 8 - 20154 Milan (Italy) - Tax ID Code and VAT
number 00192220192

Hereby declares, under its sole responsibility, that:
the pellet boiler stoves mentioned below are conforming with
EU Regulation 305/2011 and harmonised EU standard EN
14785:2006

PELLET BOILER STOVE, bearing the
EDILKAMIN trademark, named
BLADE H 15

SERIAL NO.: Rating plate reference
BLADE H 15 Declaration of performance (DoP - EK no. 199)

Moreover, the company hereby declares that:
the above-mentioned wood-burning pellet stoves satisfy the
requirements of the following European directives:
2014/35/EU - Low Voltage Directive
2014/30/EU - Electromagnetic Compatibility Directive
2011/65/EU - RoHS
2009/125/EU - Ecodesign
2010/30/EU - Labelling

Dear Sir/Madam

We thank you for and congratulate you on choosing our product. Before using it, we ask you to read this manual carefully, in order for you to be able to make the most of all its functions in total safety.

This manual is an integral part of the product. We ask you to keep it for the entire lifetime of the product. If you lose it, you can request a copy from your dealer or down load it from www.edilkamin.com

Readers of this manual

This manual is addressed to:

- those who will use the product at home ("USER");
- the technician who will install the product ("INSTALLER")

The target person of each page is indicated in a band at the bottom of the page (USER or INSTALLER).

General information

After unpacking the product, check the condition and completeness of the contents.

In the event of error, immediately contact the retailer where the purchase was made, providing them with a copy of the warranty booklet and the sales receipt.

All local, national laws and European Standards must be met in the proper sizing, installation, maintenance and use of the appliance. Refer to local codes in each country for installation and for anything not specifically mentioned.

The diagrams provided in this manual are for illustration purposes only: they do not always strictly refer to your specific model, and are not binding in any way.

The product is uniquely identified by a number, its "counterfoil".

Which can be found on:

- the packaging;
- the CE marking plate;
- the warranty certificate accompanying the product.

The warranty conditions are given in the warranty certificate accompanying the product and on the website www.edilkamin.com.



MEANING OF SYMBOLS

In some parts of the manual the following symbols are used:



PLEASE NOTE:

carefully read and understand the message in question, since failure to follow the instructions in it could cause serious damage to the product and put the safety of those using it at risk.



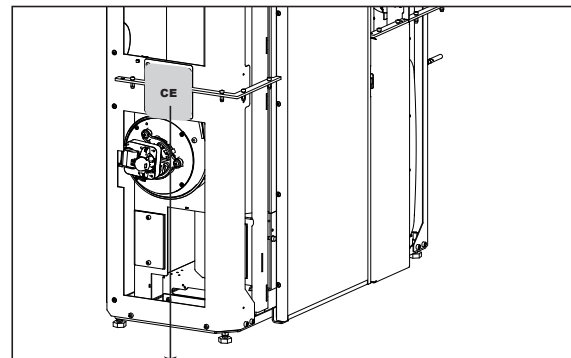
INFORMATION:

failure to comply with these requirements will compromise product use.



OPERATING SEQUENCE:

follow the instructions for the operations described



EAC		CE		20 DoP n. EK199		Rated Power	Rated Power	Rated Power
						kW	kW	kW
EDILKAMIN		EN 14952:2008		1880		3.5	0.7	kg/h
BLADE H 15		Efficiency (Wärmegehalt) / Rendement (Brennstoff)		16.8		3.5	3.5	kW
		CO-Emission per 1000 kWh (CO-Emission per 1000 kWh)		13		2.5	2.5	kg/h
		CO-Emission per 1000 kWh (CO-Emission per 1000 kWh)		2.3		0.8	0.8	kg/h
		CO-Emission per 1000 kWh (CO-Emission per 1000 kWh)		92.1		93.2	93.2	kg/h
		CO-Emission per 1000 kWh (CO-Emission per 1000 kWh)		8.094		8.098	8.098	kg/h
		CO-Emission per 1000 kWh (CO-Emission per 1000 kWh)		85		116	116	kg/h
		CO-Emission per 1000 kWh (CO-Emission per 1000 kWh)		300090		300090	300090	kg/h
		CO-Emission per 1000 kWh (CO-Emission per 1000 kWh)		90		90	90	kg/h
		CO-Emission per 1000 kWh (CO-Emission per 1000 kWh)		13		9	9	kg/h
		CO-Emission per 1000 kWh (CO-Emission per 1000 kWh)		147		148	148	kg/h
		CO-Emission per 1000 kWh (CO-Emission per 1000 kWh)		5		25	25	kg/h
		CO-Emission per 1000 kWh (CO-Emission per 1000 kWh)		132		85	85	kg/h
		CO-Emission per 1000 kWh (CO-Emission per 1000 kWh)		77		39	39	kg/h
		CO-Emission per 1000 kWh (CO-Emission per 1000 kWh)		300		300	300	kg/h
		CO-Emission per 1000 kWh (CO-Emission per 1000 kWh)		230		230	230	kg/h
		CO-Emission per 1000 kWh (CO-Emission per 1000 kWh)		50		50	50	kg/h

- The product is not designed for use by people, including children, with limited physical, sensory and mental abilities.
- The appliance is not designed for cooking purposes.
- The appliance is designed to burn UNI EN ISO 17225-2 category A1 wood pellets, in the amounts and manner described in this manual.
- The appliance is designed for indoor use and in areas with normal humidity conditions.
- Keep the product in a dry place out of the weather.
- For the legal and company warranties, refer to the warranty certificate inside the product: specifically, neither Edilkamin nor the retailer are liable for damage resulting from incorrect installation or maintenance.

Safety risks may be caused by:

- installation in non-suitable settings, in particular those that are subject to fire risks. **DO NOT INSTALL THE PRODUCT IN AREAS SUBJECT TO THE RISK OF FIRE.**
- contact with fire and hot parts (e.g. glass panel and pipes). **DO NOT TOUCH HOT PARTS** and, when the stove is switched off and still hot, always wear the glove.
- contact with live electrical equipment (internal). **DO NOT ACCESS THE INTERNAL ELECTRICAL EQUIPMENT WHILE THE APPLIANCE IS POWERED ON.** Electrocution hazard.
- Use of improper ignition aids (e.g. alcohol). **DO NOT IGNITE OR BOOST THE FLAME WITH FLUID SPRAYS OR A FLAME TORCH.** Serious risk of burns, damage and injury.
- Use of fuel other than wood pellets. **DO NOT BURN WASTE MATTER, PLASTIC OR MATERIALS OTHER THAN WOOD PELLETS IN THE COMBUSTION CHAMBER.** The product may become soiled, the flue may catch fire, and environmental damage may ensue.
- Cleaning the combustion chamber when hot. **DO NOT CLEAN THE COMBUSTION CHAMBER WITH A VACUUM CLEANER WHILE IT IS HOT.** You could damage the vacuum-cleaner and risk the emission of smoke in the room.
- Cleaning the smoke duct with cleaning products. **DO NOT CLEAN THE PRODUCT WITH FLAMMABLE PRODUCTS.** Risk of fire or blowback.
- cleaning the glass pane while hot or with unsuitable cleaning products. **DO**

NOT CLEAN HOT GLASS WITH WATER. ONLY USE RECOMMENDED GLASS CLEANING PRODUCTS. Risk of cracking and permanent, irreparable damage to the glass.

- The storage of flammable materials at a distance which is less than the safe distances listed in this manual. **DO NOT PLACE LAUNDRY ON THE APPLIANCE. DO NOT PLACE DRYING RACKS WITHIN THE SAFETY CLEARANCE.** Keep flammable fluids away from the appliance. Fire hazard.
- Blocking the aeration vents and air intakes in the room. **DO NOT BLOCK THE AERATION VENTS OR FLUE.** Risk of smoke returning into the room with consequent damage and injury.
- Use of the product as a support or ladder. **DO NOT CLIMB ONTO THE PRODUCT OR USE IT AS A SUPPORT.** Risk of damage and injury.
- Use of the stove with the combustion chamber door open. **DO NOT USE THE PRODUCT WITH ITS DOOR OPEN.**
- Incandescent material projected from the open door. **DO NOT** throw incandescent material outside the appliance. Fire hazard.
- Use of water in case of fire. **CALL THE AUTHORITIES** if a fire breaks out.

Licensed and qualified Technical Assistance Centre/Edilkamin retailers company names are available on the Edilkamin website www.edilkamin.com ONLY.

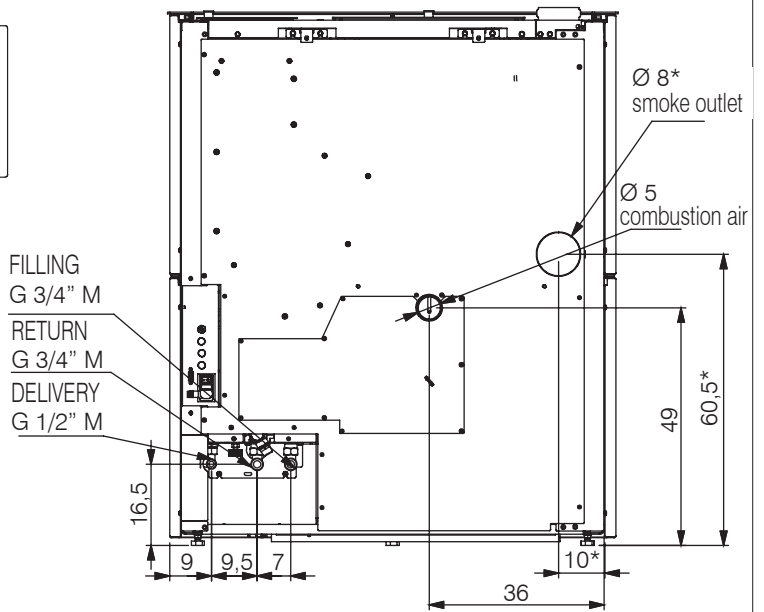
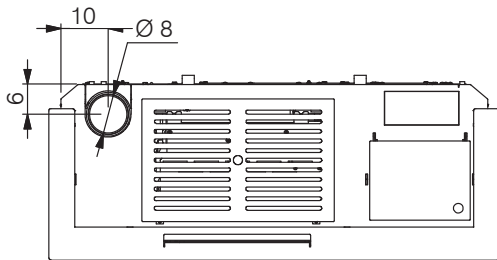
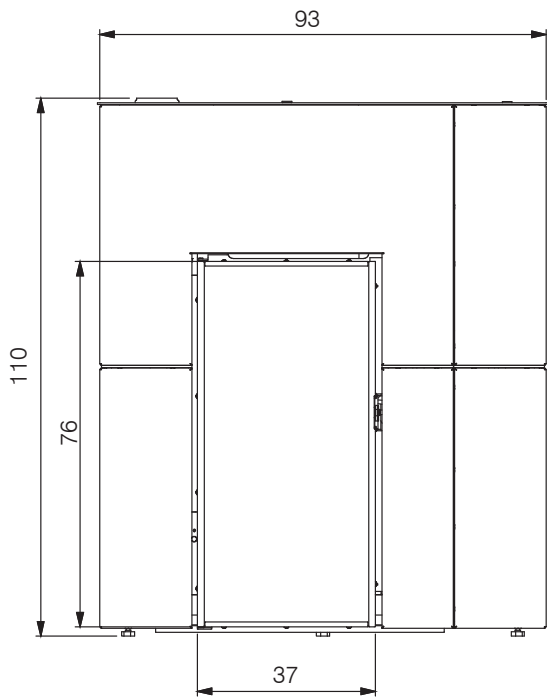
✓ Never operate the product without water in the circuit.
Running it dry can damage it.

✓ If you have doubts, please do not take any action, but contact the dealer or the installer.

✓ Switch the appliance on ONLY with the cladding mounted.

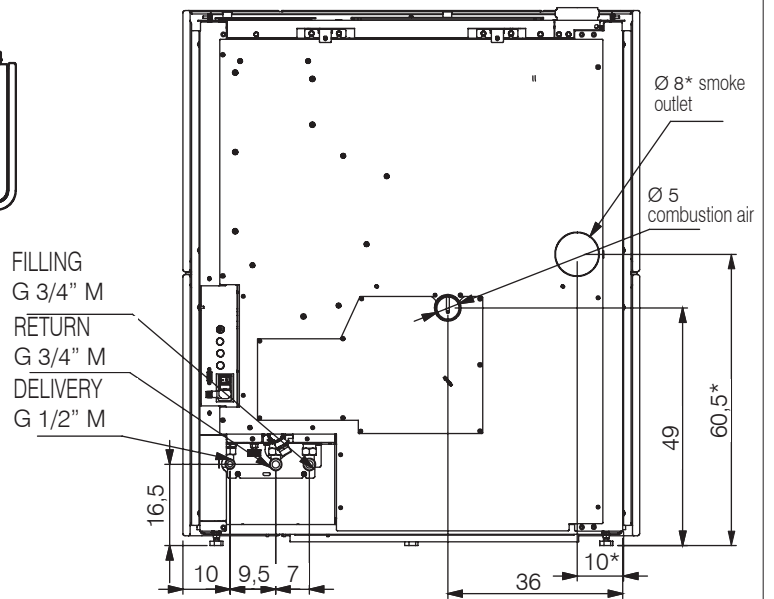
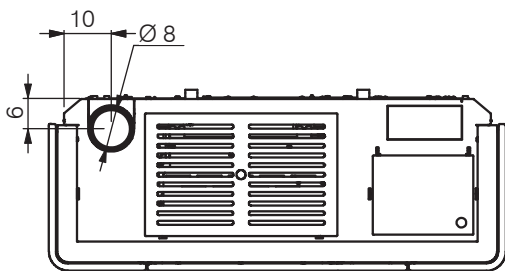
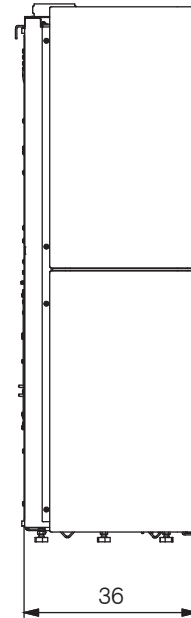
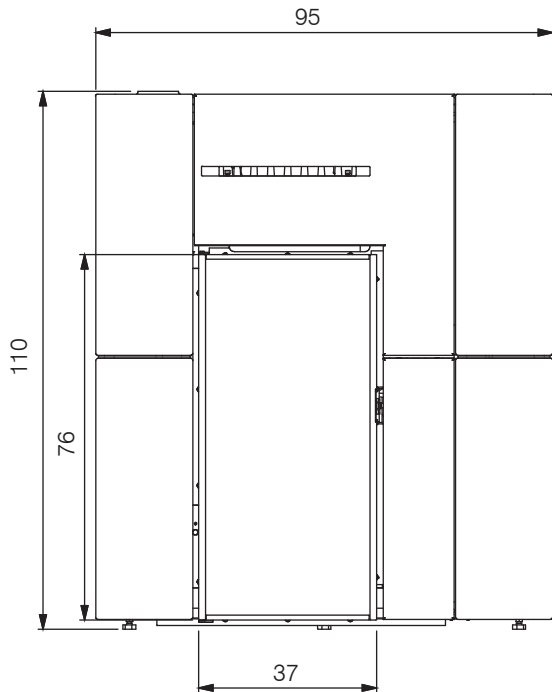
✓ For reasons of safety, read the user instructions included in this manual.

BLADE H 15 (cm) - STEEL



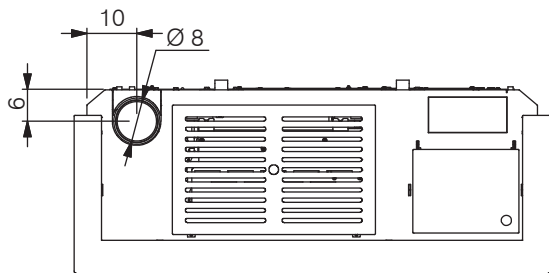
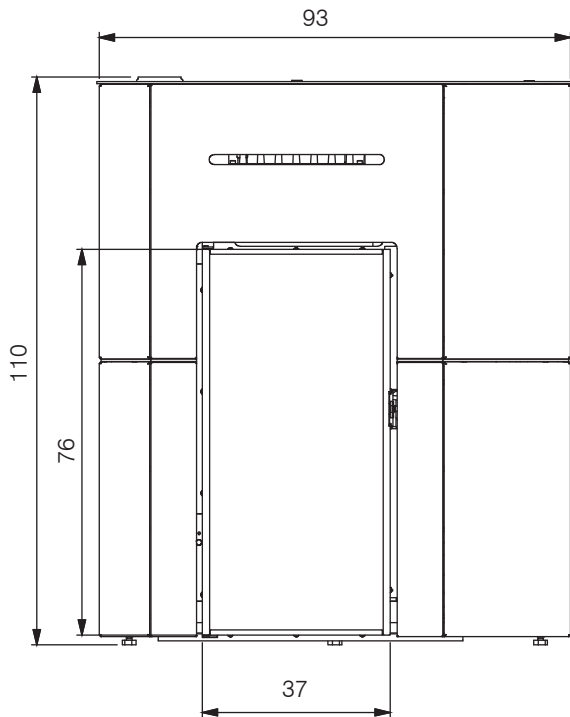
*for rear exit smoke, with optional

BLADE H 15 (cm) - CERAMIC

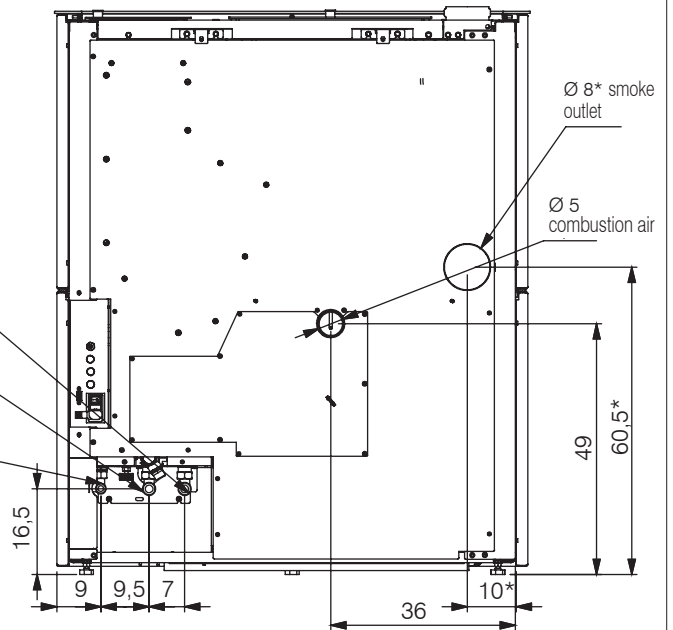


*for rear exit smoke, with optional

BLADE H 15 (cm) - GLASS



- FILLING
G 3/4" M
- RETURN
G 3/4" M
- DELIVERY
G 1/2" M



*for rear exit smoke, with optional

TECHNICAL DATA pursuant to EN 14785 The data shown is purely indicative and was measured during the certification phase at notified bodies under standard conditions.

	BLADE H 15		
	Nominal power	Reduced power	
Available power	15,3	3,3	kW
Power available to water	13	2,5	kW
Yield	92,1	93,2	%
CO emissions at 13% O ₂	0,004	0,009	%
Smoke temperature	132	65	°C
Fuel consumption *	3,5	0,7	kg/h
Tank capacity	23		kg
Recommended draught	12		Pa
Autonomy	7	33	ore
Water content	13		l
Maximum operating pressure	3		bar
Maximum operating temperature	90		°C
Heatable volume **	400		m ³
Smoke duct diameter	80		mm
Air intake duct diameter	50		mm
Weight including packaging	230/280		kg
Energy efficiency class (Regulation 1185/ 2015)	A++		

* A calorific value of 4.8 kW/kg was used to calculate consumption.

** The heatable volume was calculated with a heating demand of 33 Kcal/m³ hour.

The product can work safely even with greater draught.

Excessive draught could cause the product to switch off and/or lower its performance.

The flue outlet Ø is not that of the chimney system, which must be sized in accordance with national and local standards and in particular, but not limited to, EN 13384, EN 1443, EN 1856, EN 1457.

TECHNICAL DATA FOR SIZING THE FLUE

which must in any case satisfy the requirements in this sheet and the installation instructions for the product

	Nominal power		
	BLADE H 15		
Smoke temperature at smoke outlet	158		°C
Minimum draught	0,01		Pa
Smoke flow rate	9,8		g/s

ELECTRICAL SPECIFICATIONS

Power supply	230 Vac +/- 10% 50 Hz
Nominal absorbed power	77 W
Reduced absorbed power	39 W
Absorbed power in stand-by mode	4 W
Power absorption during ignition	300 W
Protection rating	Fusibile 4 AT, 250 Vac 5x20

EDILKAMIN S.p.A. reserves the right to modify the product at its own discretion and without prior notice, with a view to improvements.



Edilkamin S.p.A.
20045 Lainate (MI), via P. Mascagni 7
Tel. +39 02 937621
Fax +39 02 93762 400/300
mail@edilkamin.com
www.edilkamin.com

Capitale € 4.100.000 int. vers.
Sede legale:
20154 Milano, Via P. Moscati 8
Reg. Imp. di Milano 00192220192
REA n° 878888
Cod. Fiscale e Partita IVA 00192220192

TECHNICAL DOCUMENTATION FOR LOCAL SPACE HEATERS ACCORDING TO COMMISSION REGULATION (EU) 2015/1185 AND 2015/1186

Manufacturer **Edilkamin S.p.A.**
 Trademark **Edilkamin**
 Model Identifier **Blade H 15**
 Description **Mechanically space heater with boiler fired by wood pellets**
 Indirect heating functionality **yes**
 Direct heat output (space heat output) **2,3 kW**
 Indirect heat output (space heat output) **13 kW**
 CPR harmonised standard **EN 14785**
 Notified Body **Acteco srl (Via Amman 41 ,33084 Cordenons-PN-Italy) NB1880**

Fuel	Preferred fuel (unique)	Space heating emissions at nominal heat output				Space heating emissions at minimum heat output <small>Only required if correction factors F(2) or F(3) are applied.</small>			
		PM	OGC	CO	NOx	PM	OGC	CO	NOx
		<small>(*) PM = particulate matter, OGCs = organic gaseous compounds, CO = carbon monoxide, NOx = nitrogen oxides</small>							
		<small>mg/m3 at 13%O2</small>				<small>mg/m3 at 13%O2</small>			
Compressed wood with moisture content < 12 %	yes	13	5	55	147	9	25	116	148

Observe the specific precautions for installation, assembly and maintenance indicated in the manual accompanying the product

Up to 1/1/2022	
η_s [%]	89,3
EEL [%]	131
Energy Efficiency Class	A++

From 01/01/2022	
η_s [%]	89,3
EEL [%]	131
Energy Efficiency Class	A++

Calculations according to the council commission regulation (EU) 2015/1186 and 2015/1185
 Characteristics when operating with the preferred fuel

$EEL = (\eta_{s,on} \cdot BLF) - 10\% + F(2) + F(3) - F(4) - F(5)$ BLF = 1,45 $\eta_{s,on} = \eta_{th,nom}$
 $\eta_s = \eta_{s,on} - 10\% + F(2) + F(3) - F(4) - F(5)$ F5 not of relevance

Heat output			
Item	Symbol	Value	Unit
Nominal heat output	P_{nom}	15,3	kW
Minimum heat output (indicative)	P_{min}	3,3	kW

Useful efficiency (NCV as received)			
Item	Symbol	Value	Unit
Useful efficiency at nominal heat output	$\eta_{th,nom}$	92,1	%
Useful efficiency at minimum heat output (indicative)	$\eta_{th,min}$	93,2	%

Auxiliary electricity consumption			
Item	Symbol	Value	Unit
At nominal heat output	$e_{l,max}$	0,077	kW
At minimum heat output	$e_{l,min}$	0,039	kW
In standby mode	$e_{l,db}$	0,002	kW

Type of heat output/room temperature control (select one)	
single stage heat output, no room temperature control	NO
two or more manual stages, no room temperature control	NO
with mechanic thermostat room temperature control	NO
with electronic room temperature control	NO
with electronic room temperature control plus day timer	NO
with electronic room temperature control plus week timer	yes

$$F(4) = CC \cdot \frac{0,2 \cdot e_{l,max} + 0,8 \cdot e_{l,min} + 1,3 \cdot e_{l,db}}{P_{nom}} \cdot 100[\%]$$

F (2)	7,0 %	up to 2022
F (2)	7,0 %	from 2022
Other control options (multiple selections possible)		
room temperature control, with presence detection	NO	
room temperature control, with open window detection	NO	
with distance control option	yes	
F (3)	1,0 %	up to 2022
F (3)	1,0 %	from 2022

Contact details
 Name and address of the manufacturer
 EDILKAMIN S.p.A.
 Via Mascagni 7
 20045 Lainate (MI) – ITALY

www.edilkamin.com
 mail@edilkamin.com
Legal Representative
Paolo Gusella

PREPARATION AND UNPACKING

The packaging materials are neither toxic nor noxious and do not require special disposal.

The user is responsible for storing, disposing of and recycling them in a regulatory fashion.

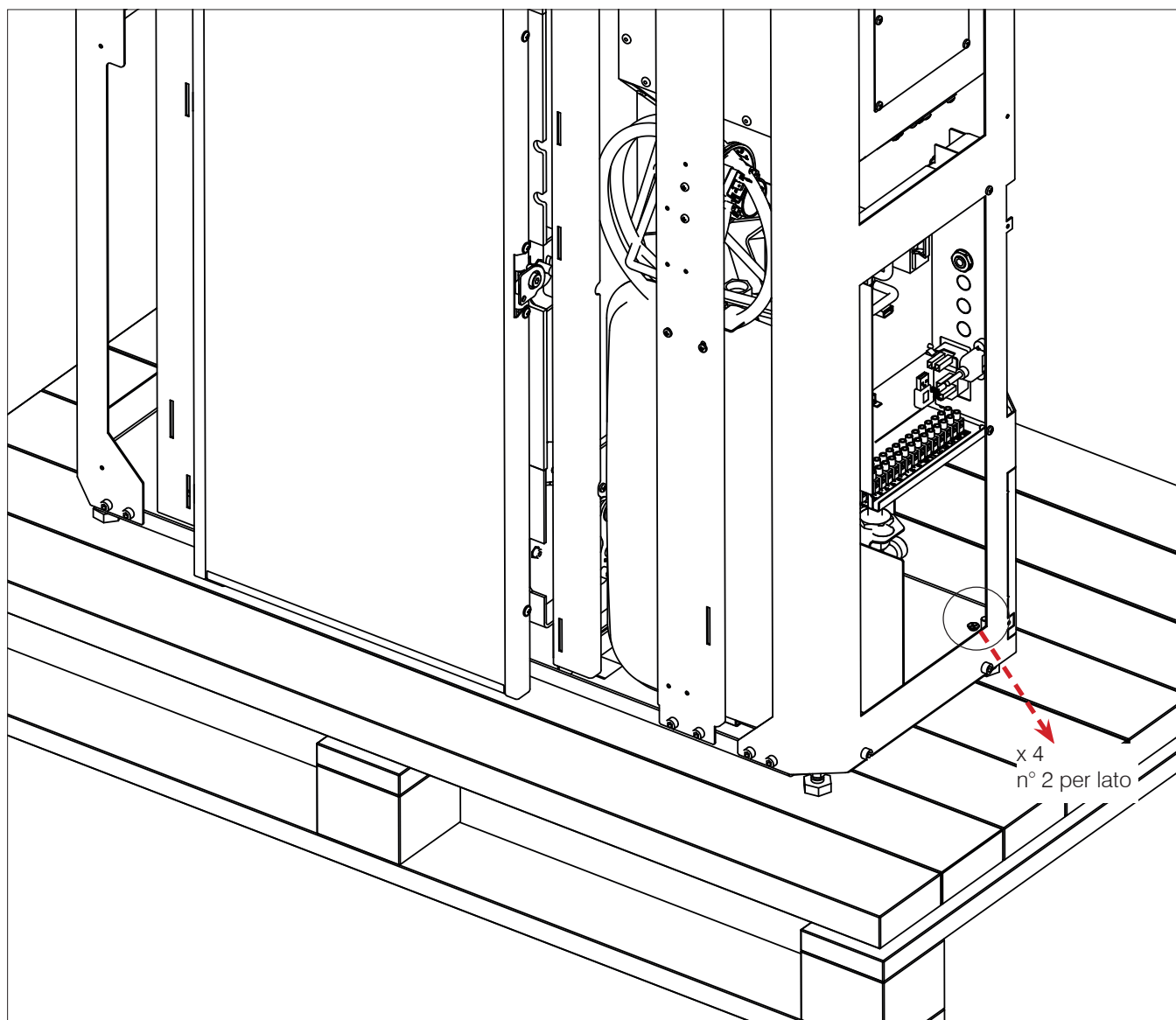


Always move the stove vertically with suitable equipment and in compliance with safety regulations.

Do not turn the package over, and handle all parts requiring installation with care.

TO REMOVE THE PALLET

Undo the four screws on each bracket



THE DRAWINGS ARE FOR GUIDANCE ONLY, BUT THEY MAY NOT REFER TO THE SPECIFIC MODEL.

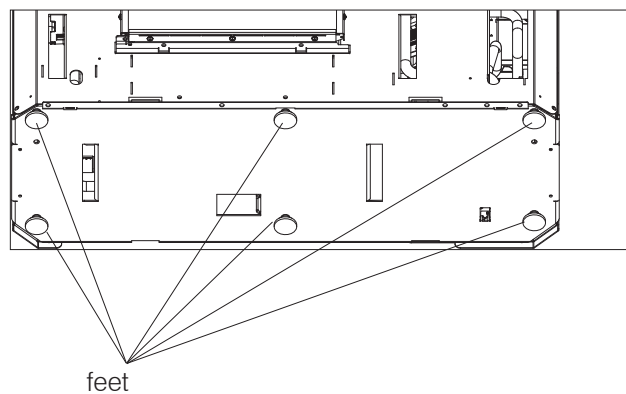
INSTALLER

A REAR SMOKE DISCHARGE KIT exists as optional.

ADJUSTABLE FEET

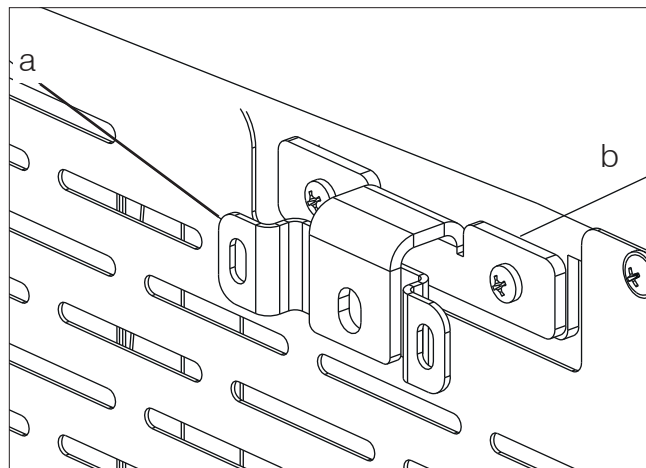
The Blade H 15 boiler stoves have adjustable feet to adapt to uneven floors.

The feet can be adjusted by slightly raising the boiler stove or using a screwdriver from above the foot.

**WALL MOUNTING**

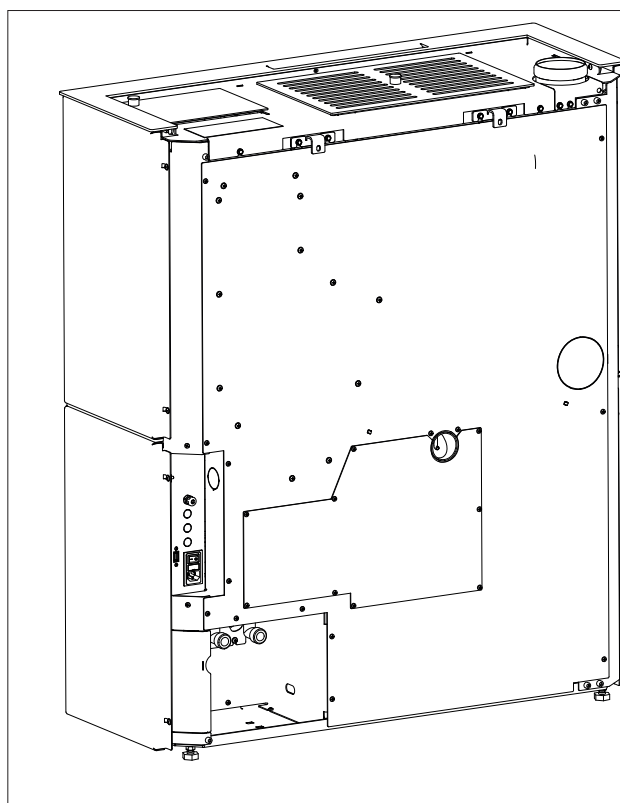
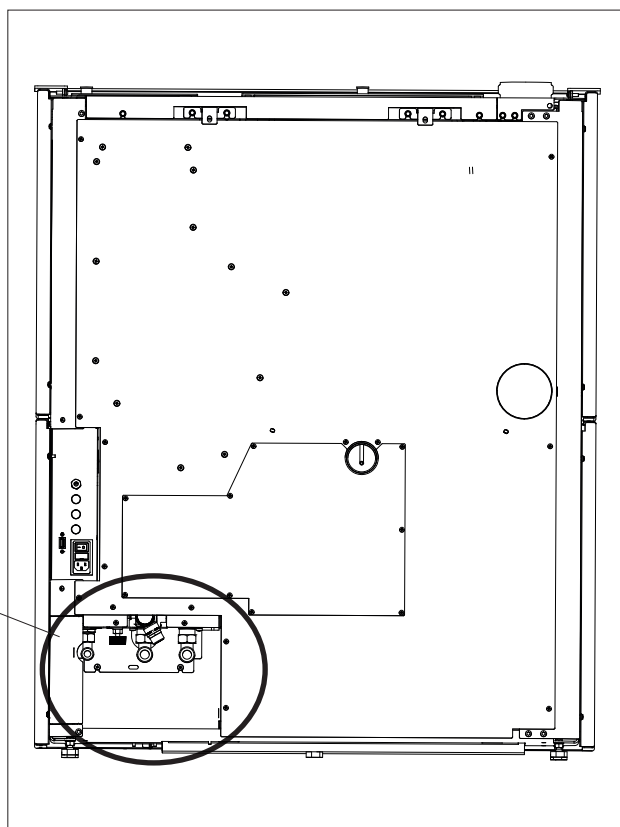
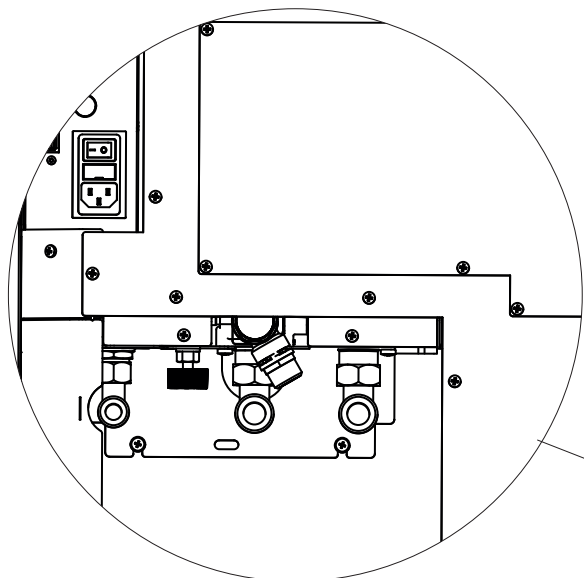
Mount the stove to the wall with the plates provided (a) and the brackets (b) already mounted on the product, or use alternative systems that guarantee that the product remains stable.

Fix the brackets to the wall using wall plugs.



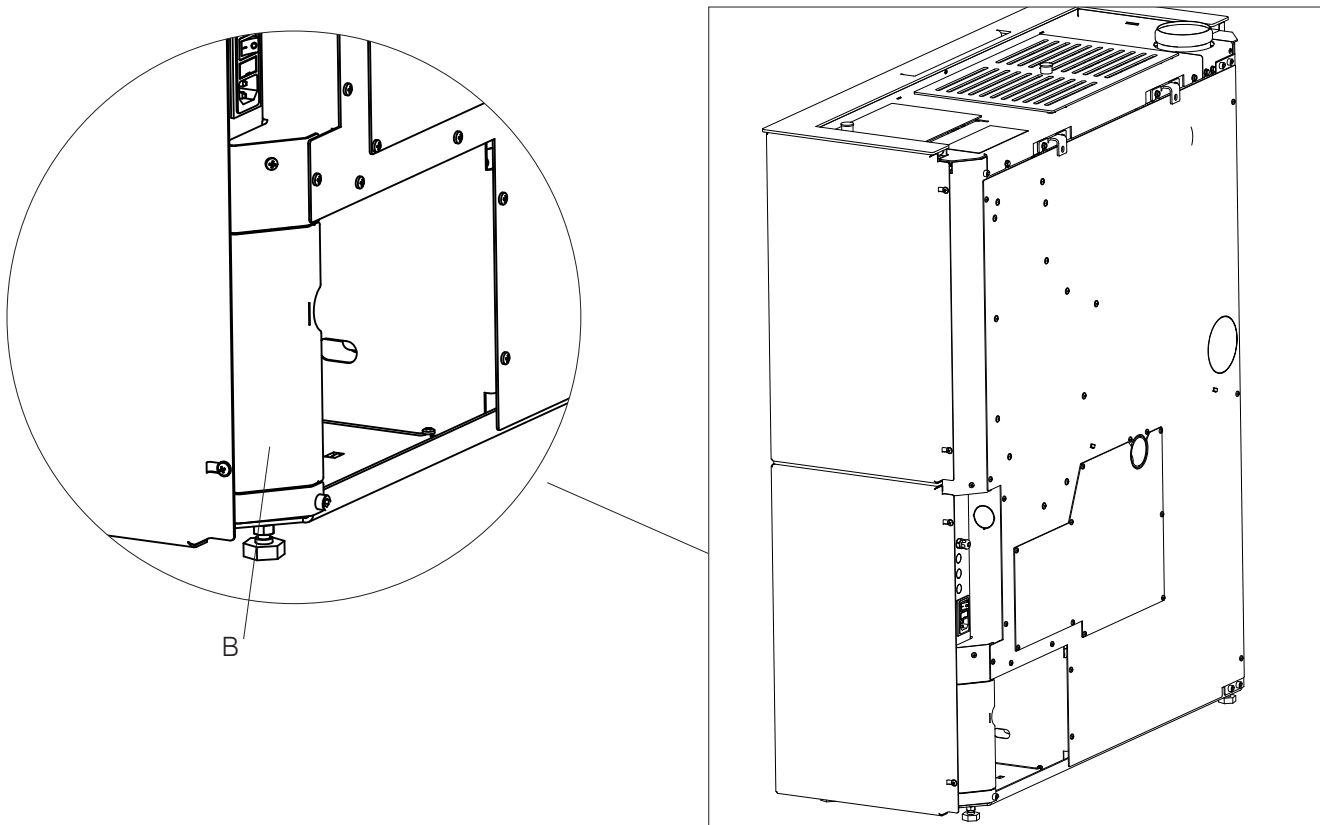
THE DRAWINGS ARE FOR GUIDANCE ONLY, BUT THEY MAY NOT REFER TO THE SPECIFIC MODEL.

standard



RIGHT-HAND SIDE HYDRAULIC FITTINGS

To have the hydraulic fittings on the right-hand side, it is possible to use commercial elbows and “exploit” the “recess” (“indent”) between the pipes’ outlet and the rear of the stove, as shown in the figure below. Remove B

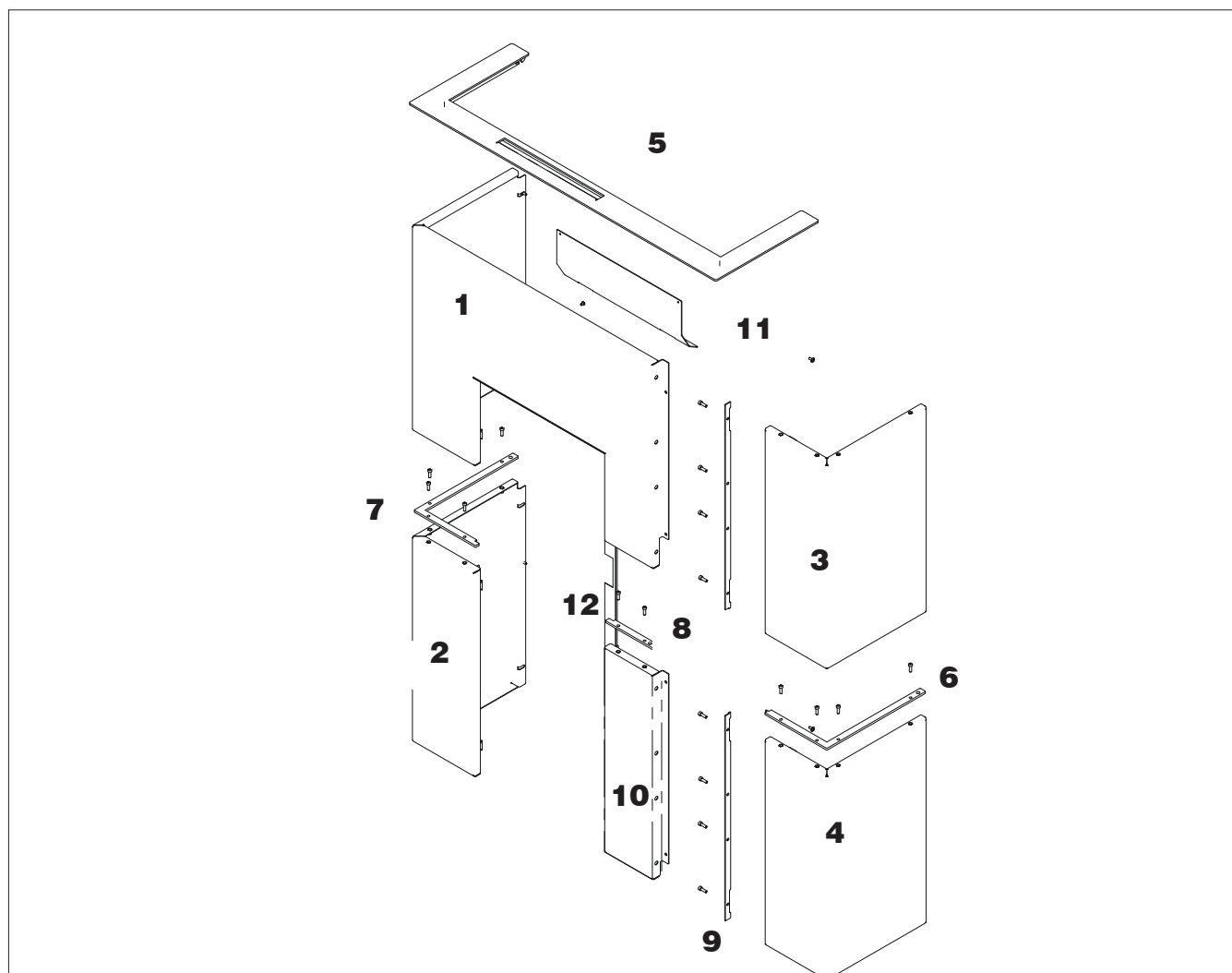


When installing the kit, remove the rear and verify that the swivel nuts on the boiler stove’s outlet pipes are closed.

Description	Reference in the figures below	Quantity
Top left-hand side panel	(1)	n°1
Left-hand side panel	(2)	n°1
Top right-hand side panel	(3)	n°1
Right-hand side panel	(4)	n°1
Aesthetic top edge	(5)	n°1
Right profile	(6)	n°1
Left external profile	(7)	n°1
Left front profile	(8)	n°1
Central spacer	(9)	n°2
Bottom panel	(10)	n°1
Deflector	(11)	n°1
Filler profile	(11)	n°1
Small metal parts		

“Right” and “left” refer to the product when viewed from the front.

The above-mentioned elements, once they have been mounted, will be positioned (“exploded”) as shown in the figure below. The mounting operations are described in the figures appearing on the following pages.





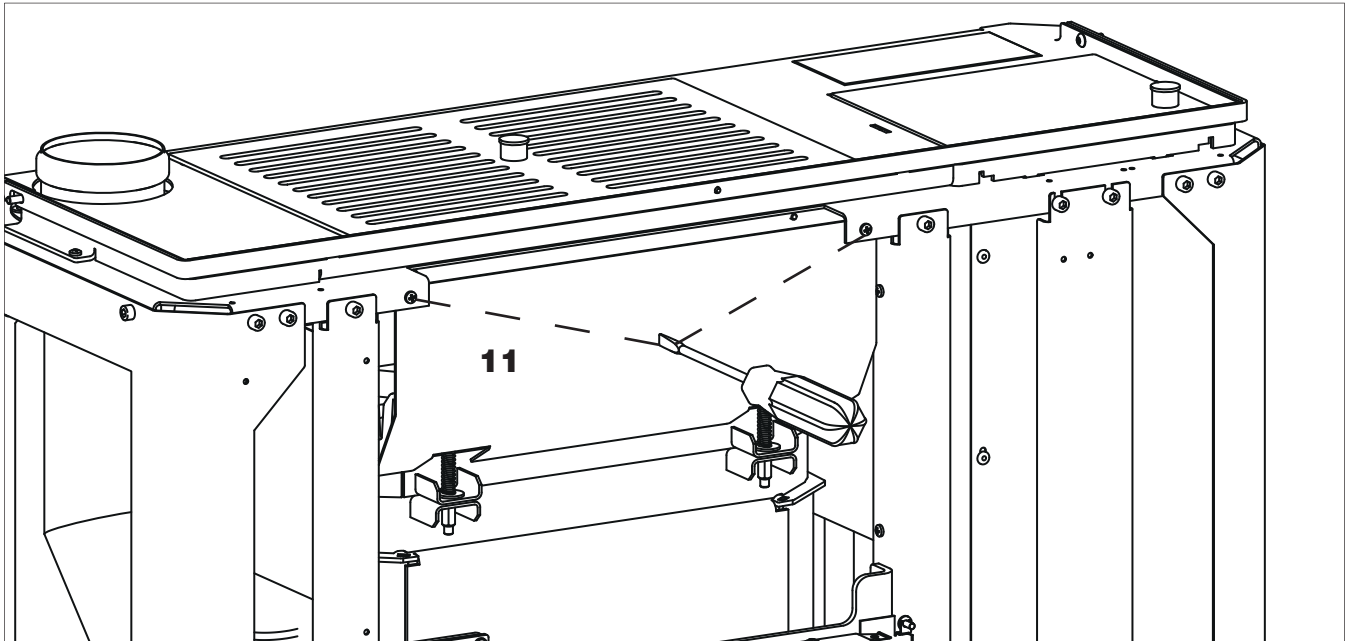
Levelling feet

The product is equipped with feet that can be adjusted with a screwdriver from inside the product BEFORE mounting the claddings, or by slightly raising the product.

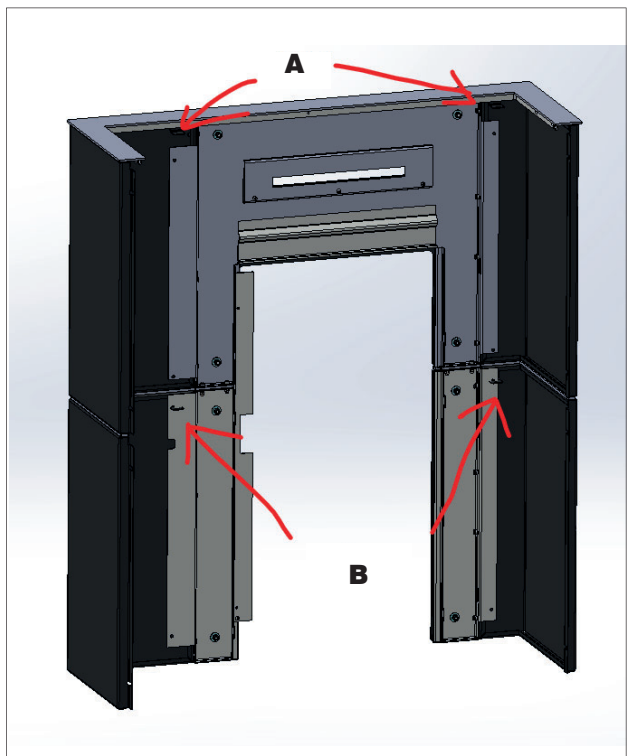


BEFORE INSTALLING THE CLADDING, SECURE THE PRODUCT TO THE WALL WITH THE BRACKETS PROVIDED TO MAKE SURE IT DOES NOT TIP OVER.

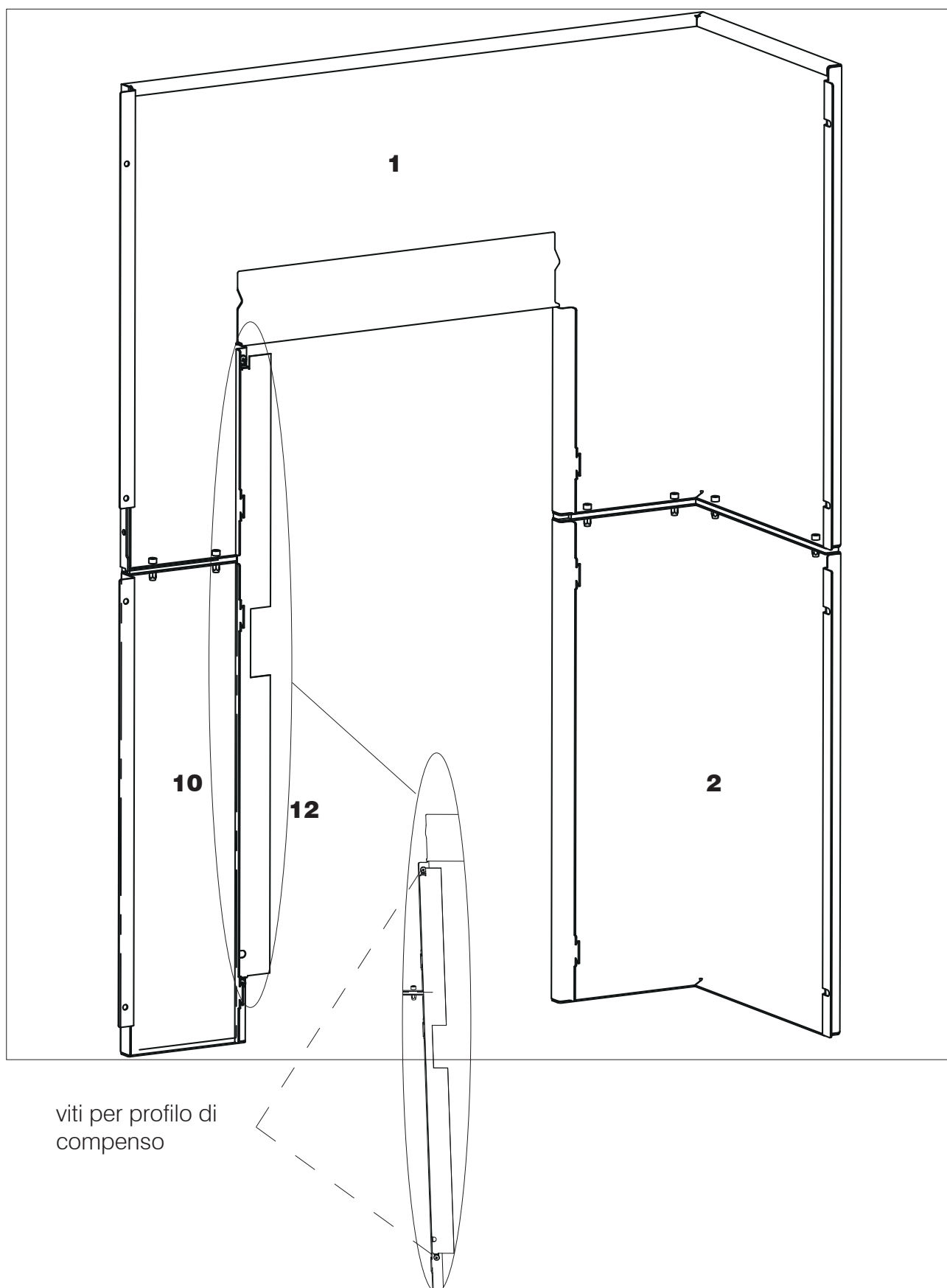
Before mounting the claddingput the deflector.



- Bend the upper flaps **(A)** to 90 °.
- Leave the lower fins **(B)** straight.

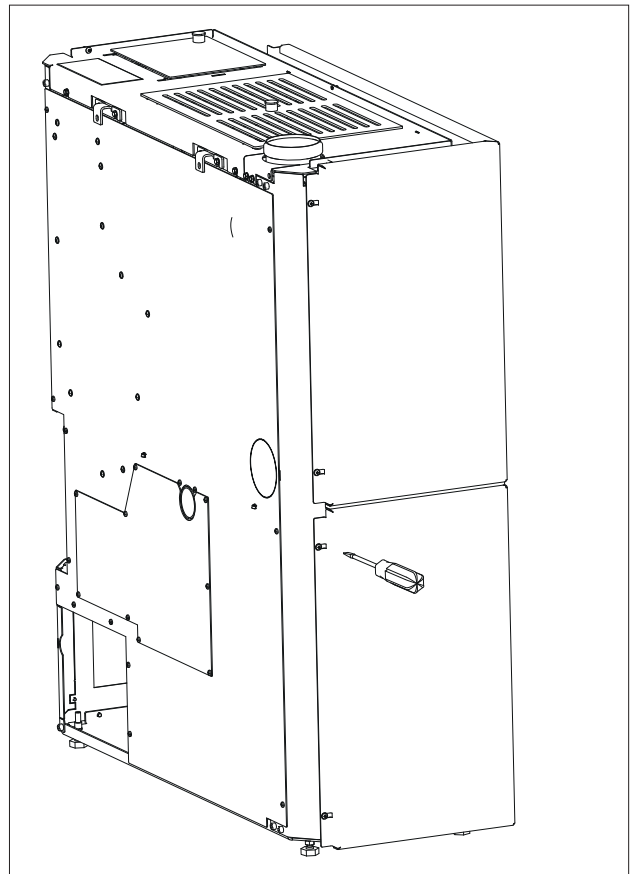
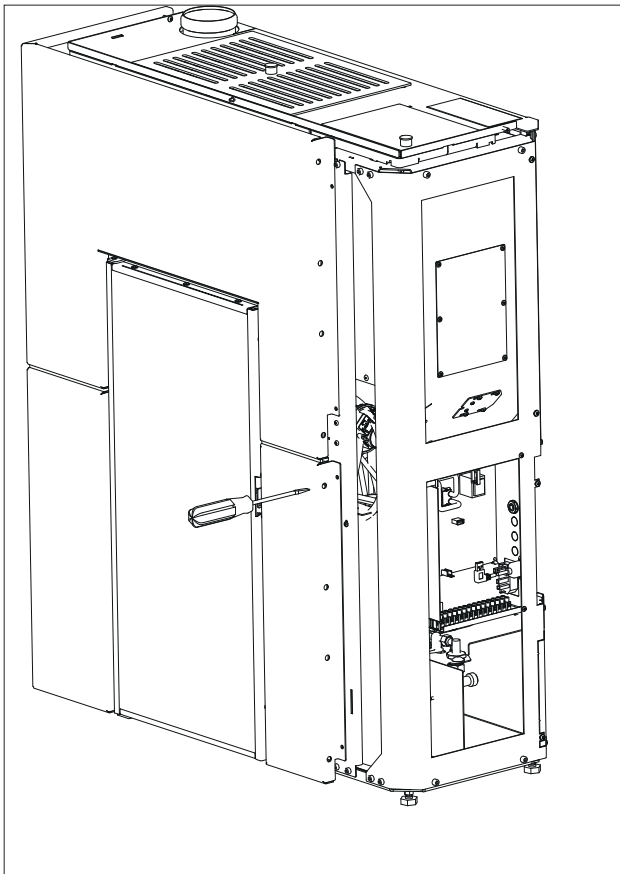
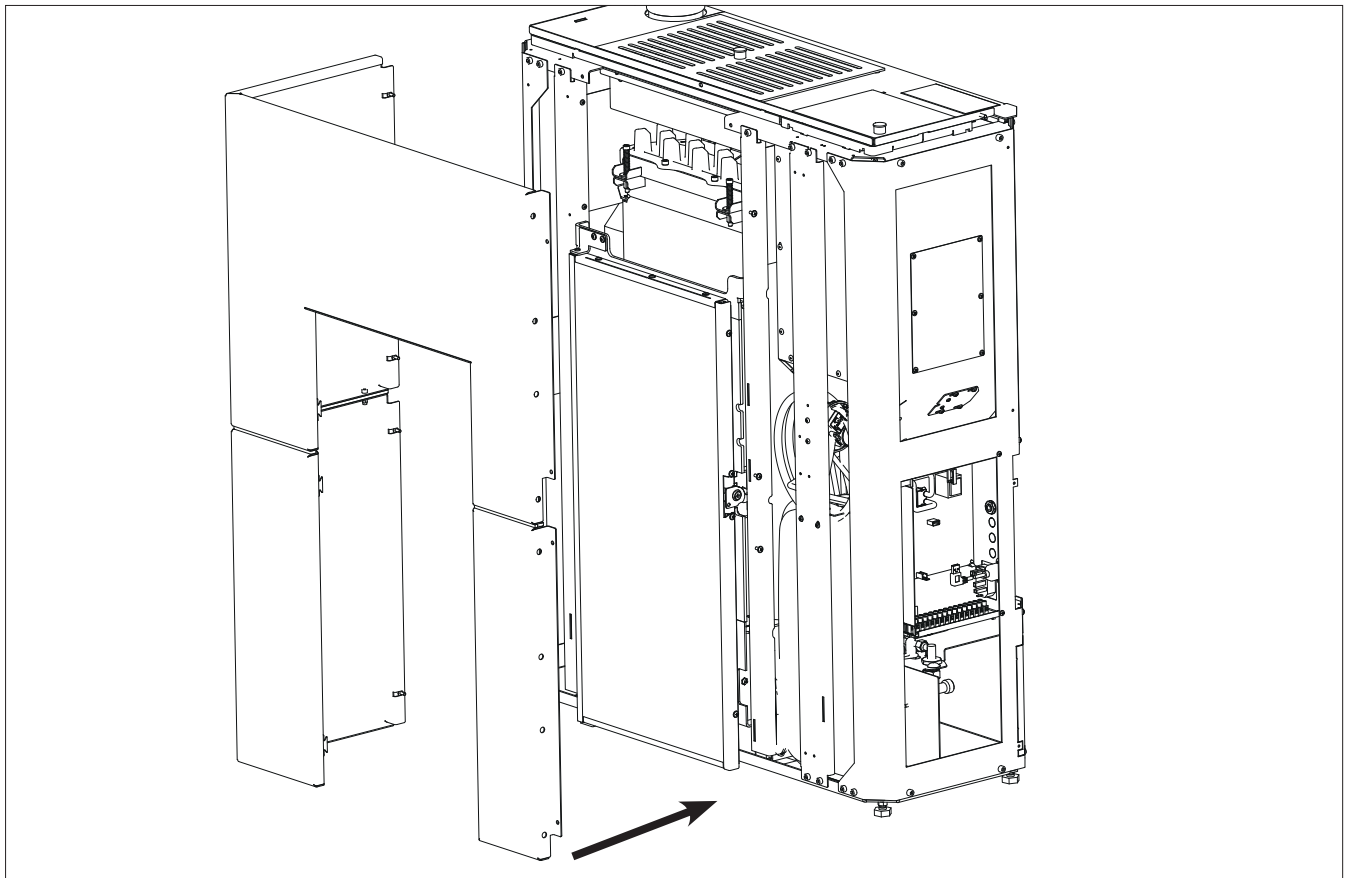


Fitting of the assembled left-hand side panel



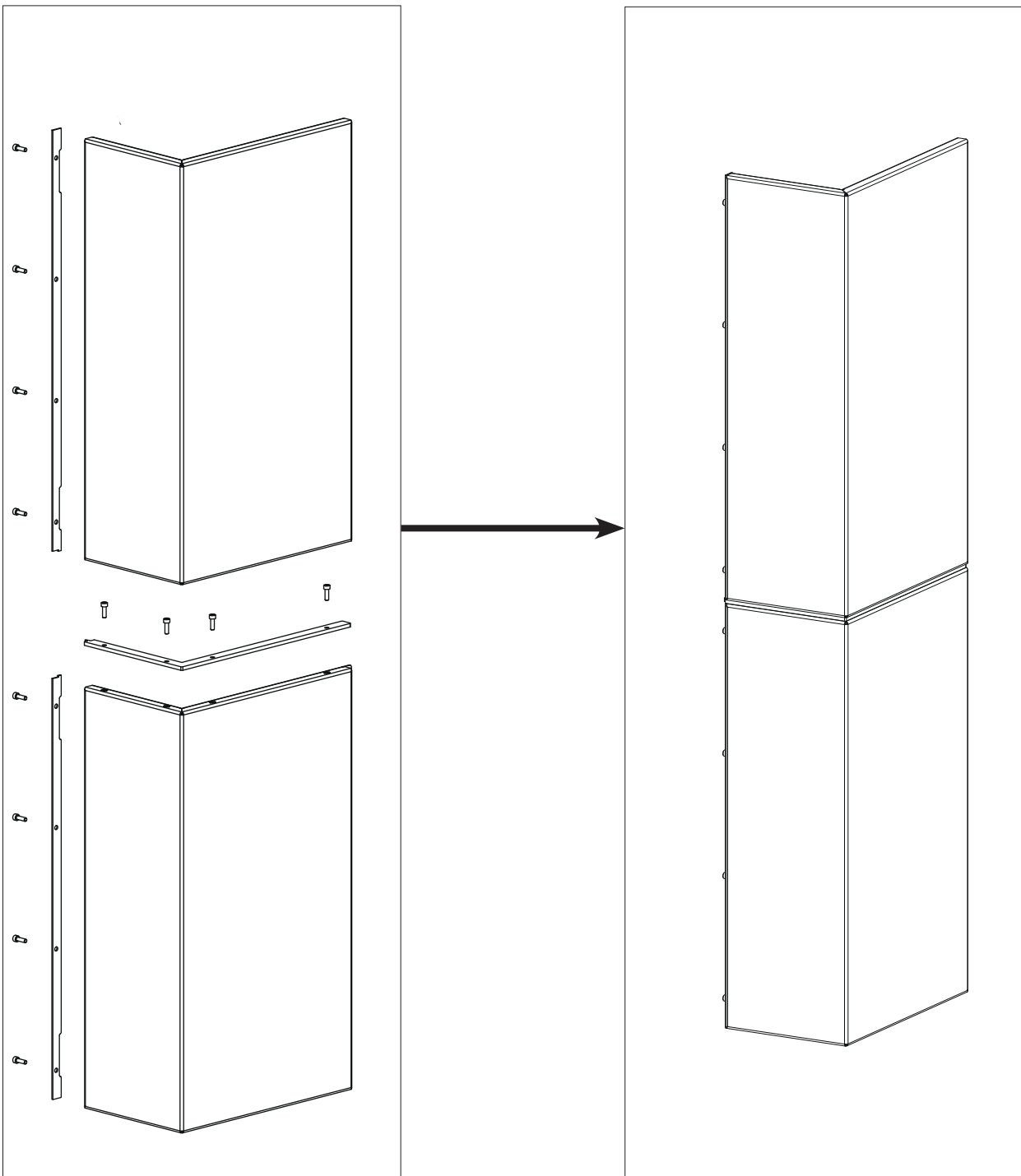
INSTALLER

Fitting of the assembled left-hand side panel

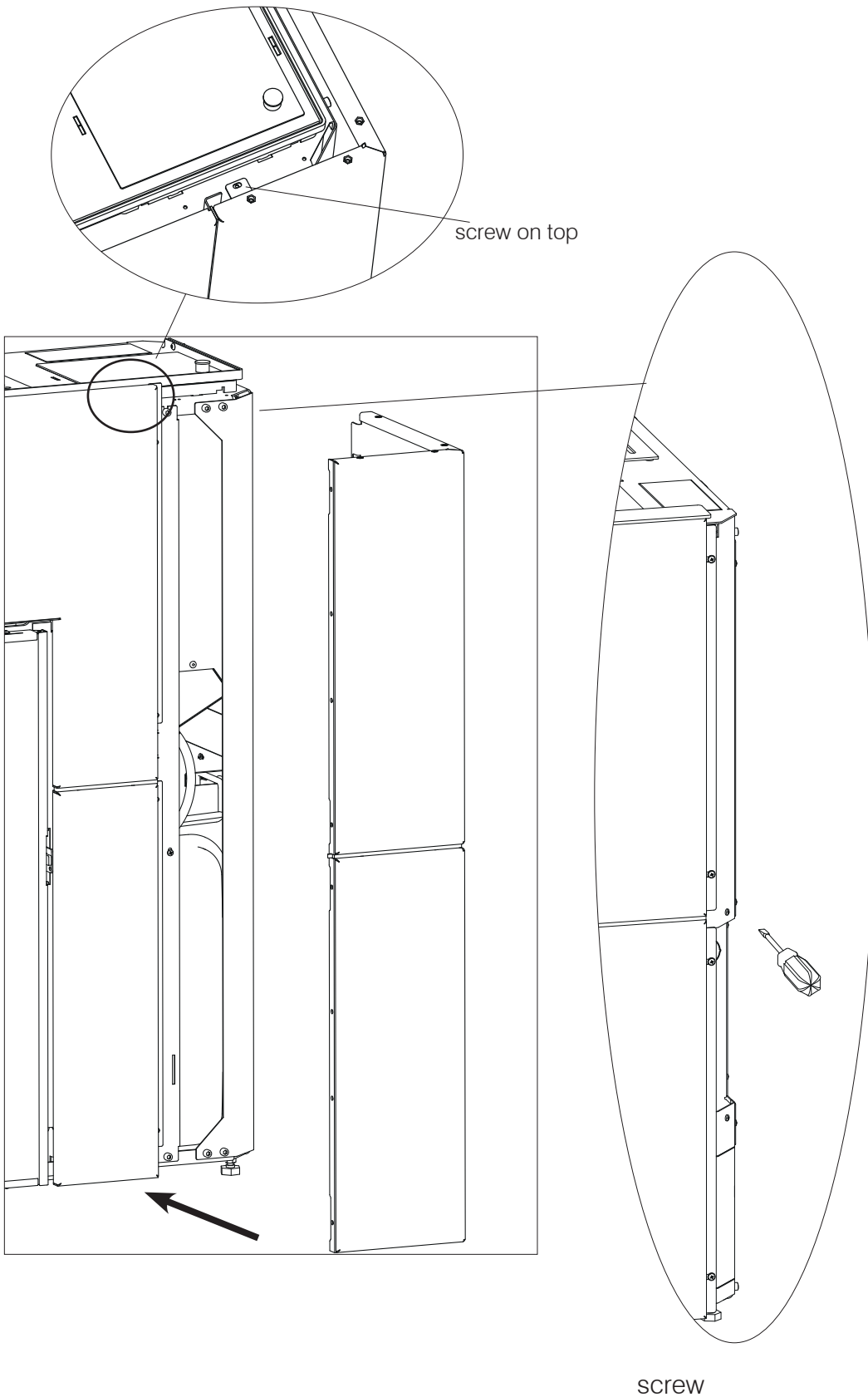


Assembling the right-hand side panel

Screw on the top right-hand side panel, the external right-hand profile and the right-hand front profile. Slot the top right-hand side panel. Screw on the central spacers until obtaining the complete right-hand side panel.

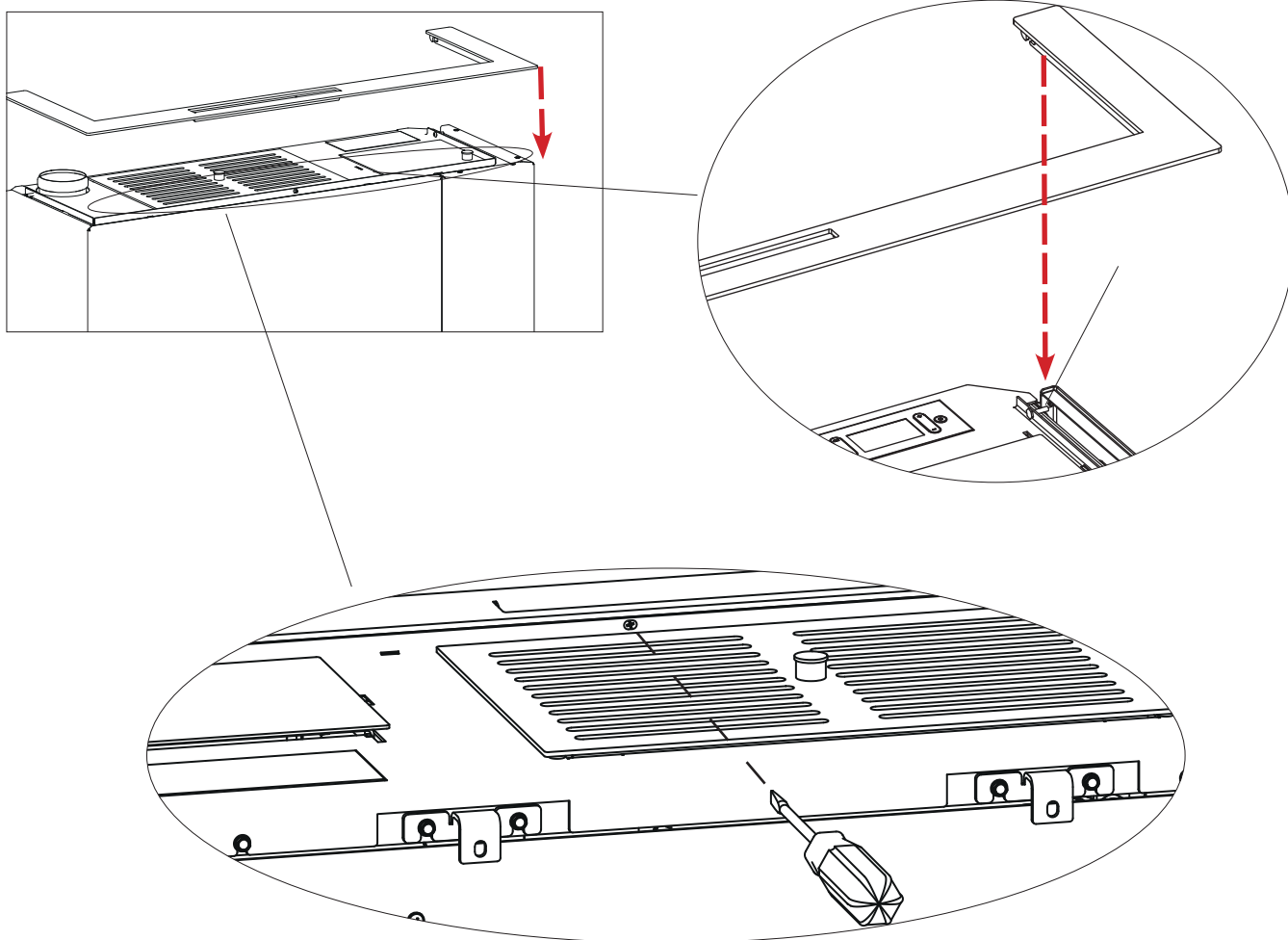


Insert the assembled right-hand side panel.

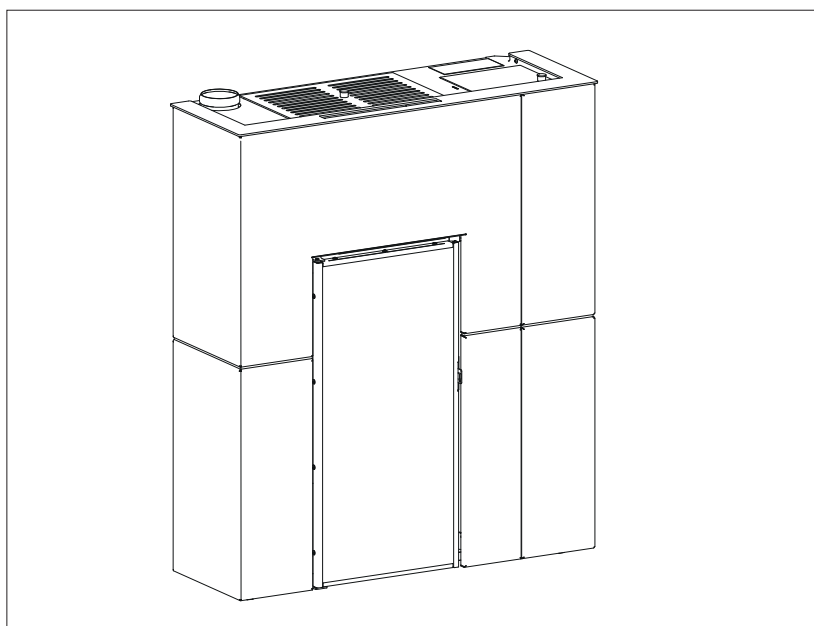


Mounting the aesthetic top edge

Place the aesthetic top edge by slotting it into the two pins to the right and left and fastening it with the 4 screws on the front.



The mounted cladding product appears as shown below.



The Blade H ceramic cladding is divided as shown below:

- a box with the metal parts (A), indicated in the table below (3-4-5-6);
- two boxes (B)-(C) strapped together each containing a ceramic side panel.

Description	Reference in the figures below	Quantity
Right-hand ceramic side panel	(1)	n°1
Left-hand side panel	(2)	n°1
Steel top front panel	(3)	n°1
Steel bottom front panel	(4)	n°1
Aesthetic top edge	(5)	n°1
Filler profile between the top and bottom front panels made of steel	(6)	n°1
Filler Profile	(7)	n°1
Small hardware		

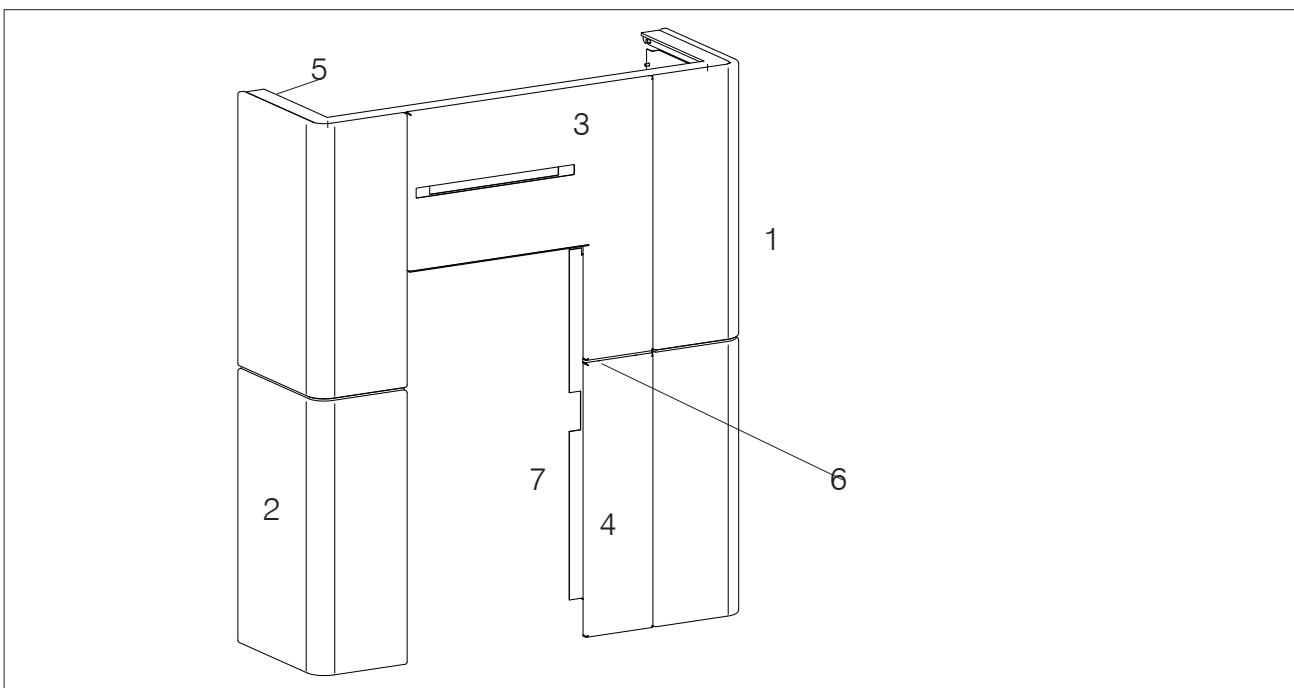
“Right” and “left” refer to the product when viewed from the front.

The above-mentioned elements, once they have been mounted, will be positioned as shown in the adjacent figure.

The mounting operations are described in the figures appearing on the following pages.

ENGLISH

22



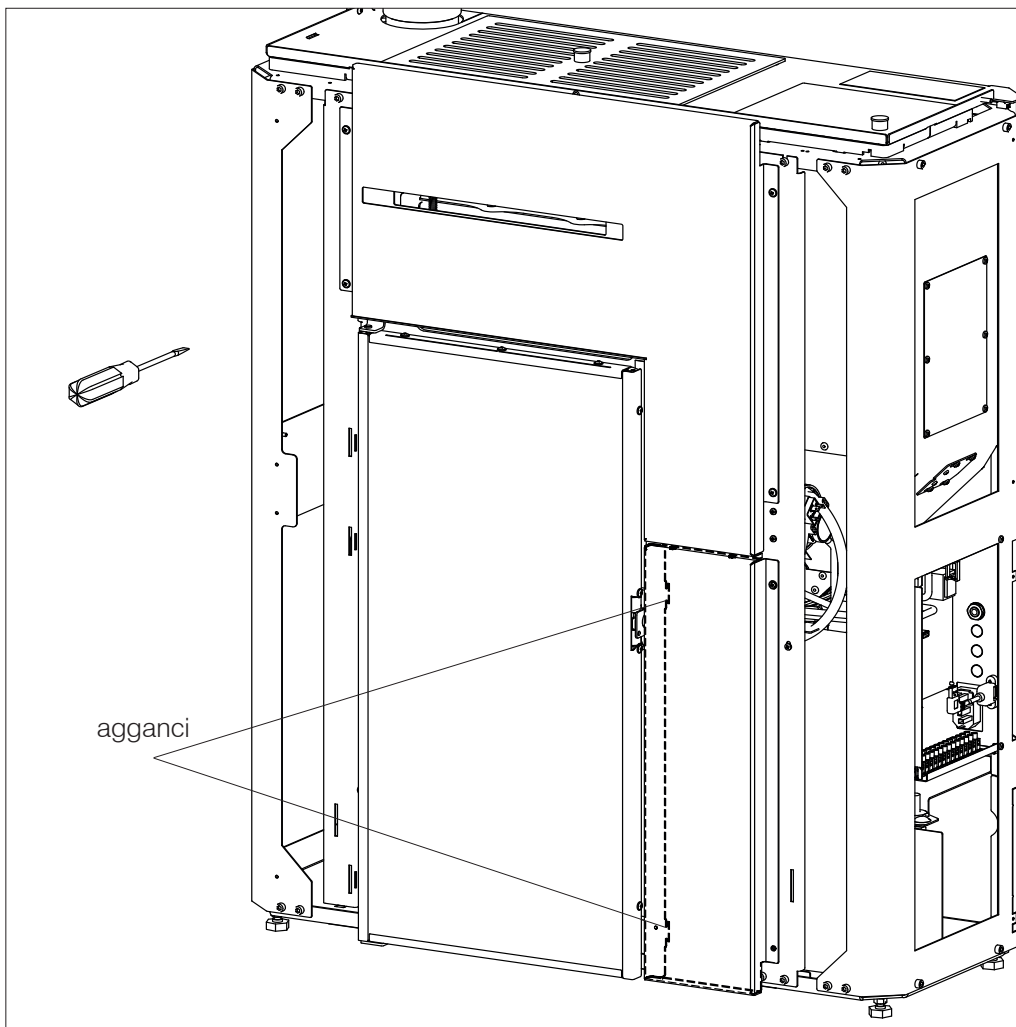
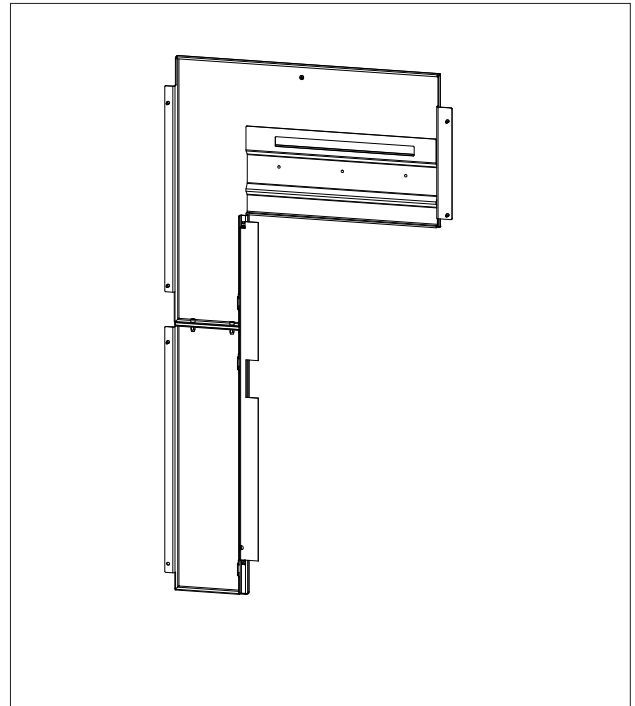
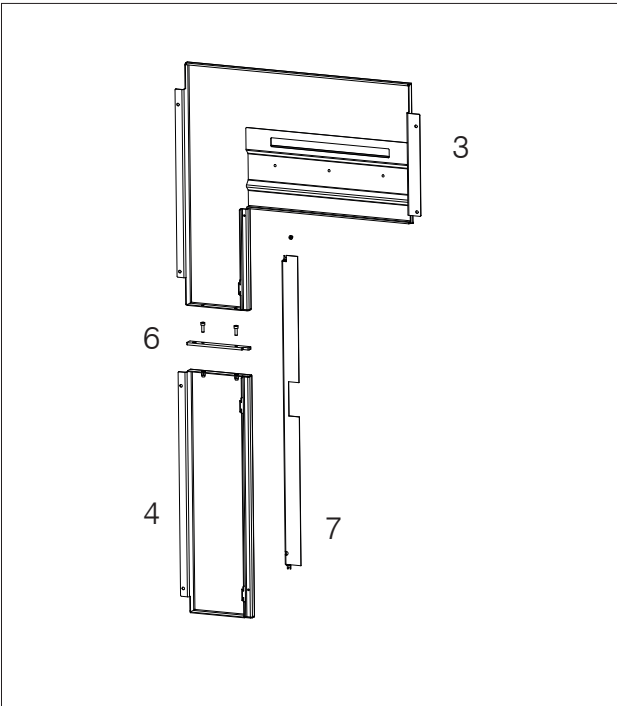
Levelling feet

The product is equipped with feet that can be adjusted with a screwdriver from inside the product BEFORE mounting the claddings.

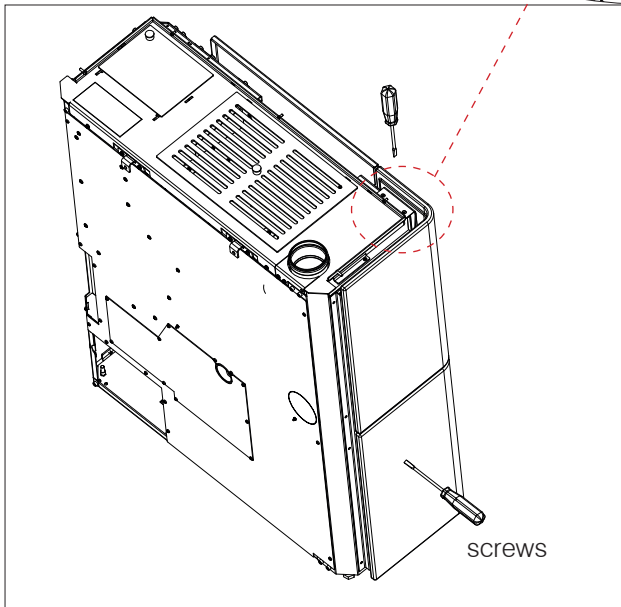
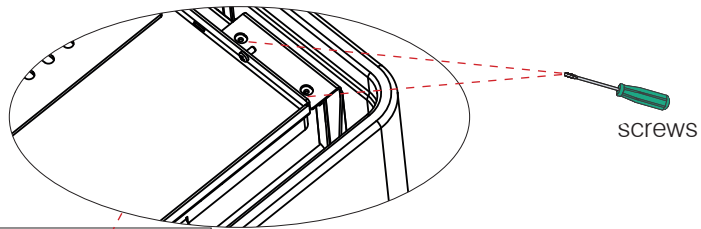
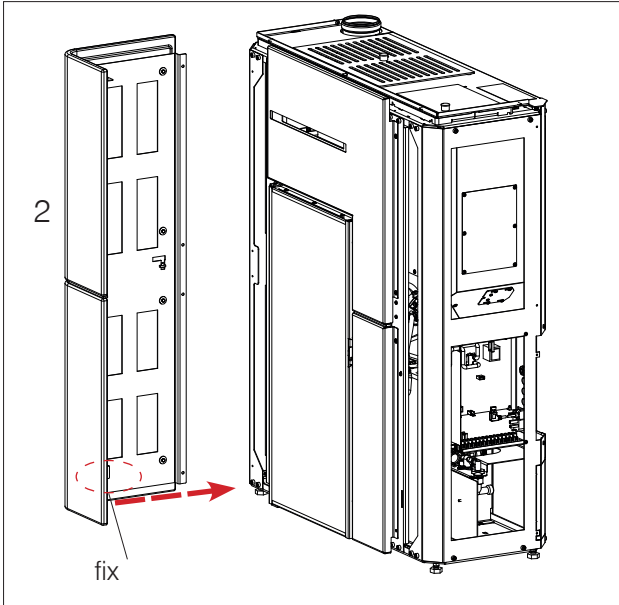


BEFORE INSTALLING THE CLADDING, SECURE THE PRODUCT TO THE WALL WITH THE BRACKETS PROVIDED TO MAKE SURE IT DOES NOT TIP OVER.

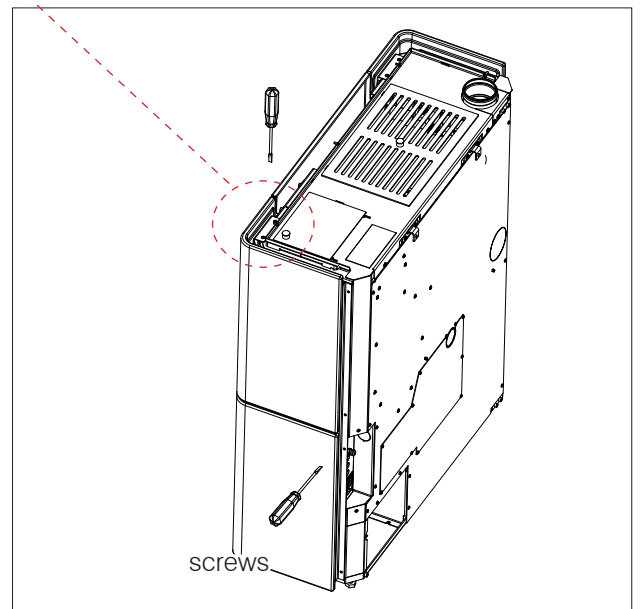
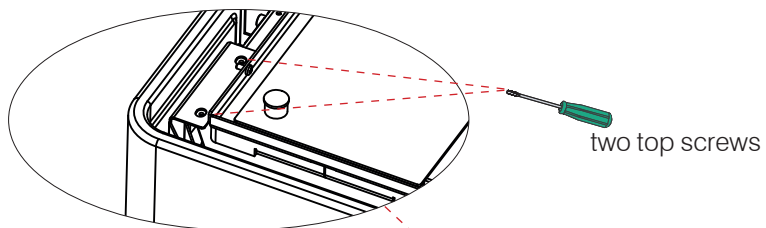
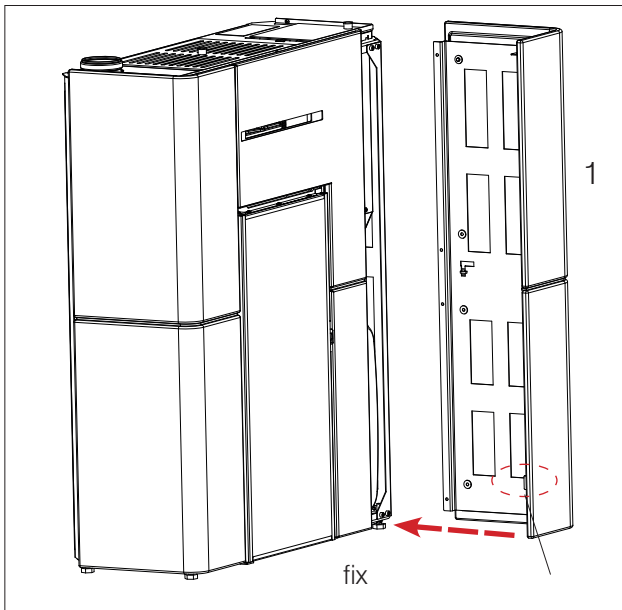
Assembling the right-hand side panel (3 and 4)



Assembling the side panel (2)

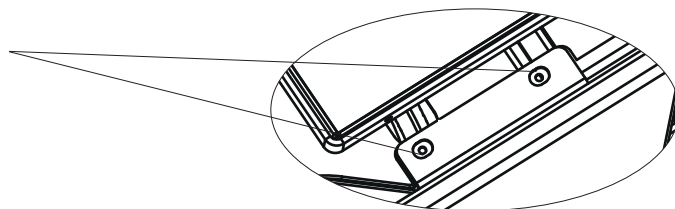


Assembling the side panel (1)

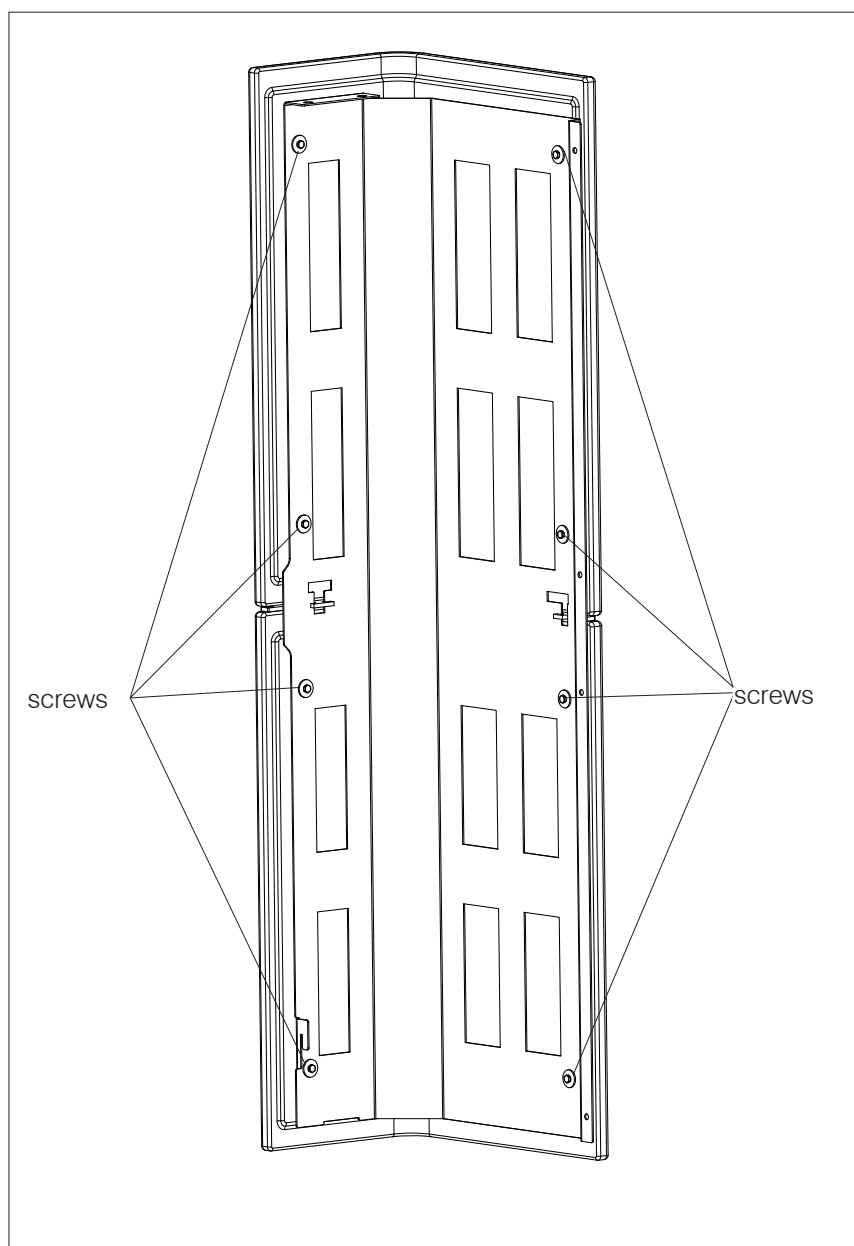


- Regulations

1 upper slots where the ceramic elements are screws on

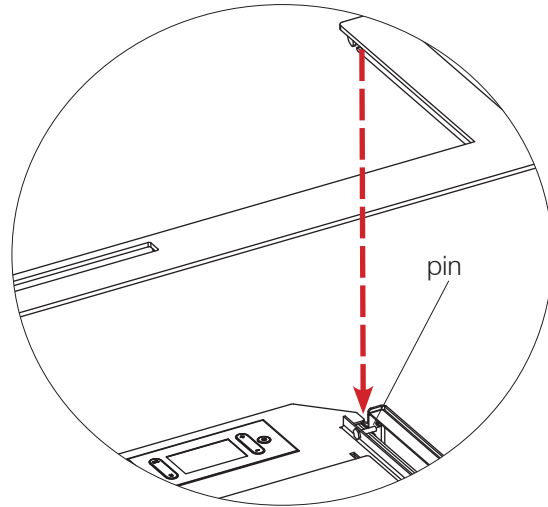
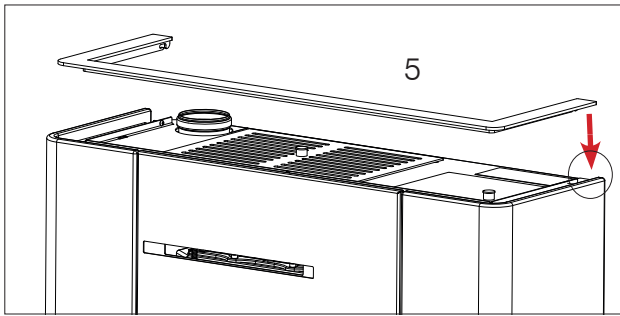


2

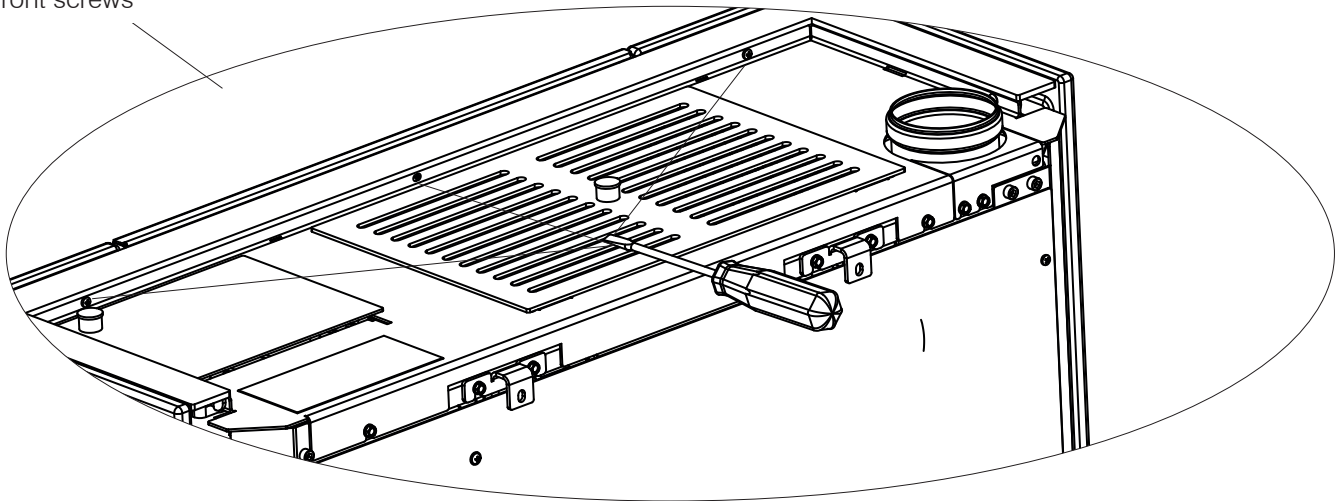


Mounting the aesthetic top edge (5)

Place the aesthetic top edge by slotting it into the two pins to the right and left and fastening it with the screws on the front.



front screws

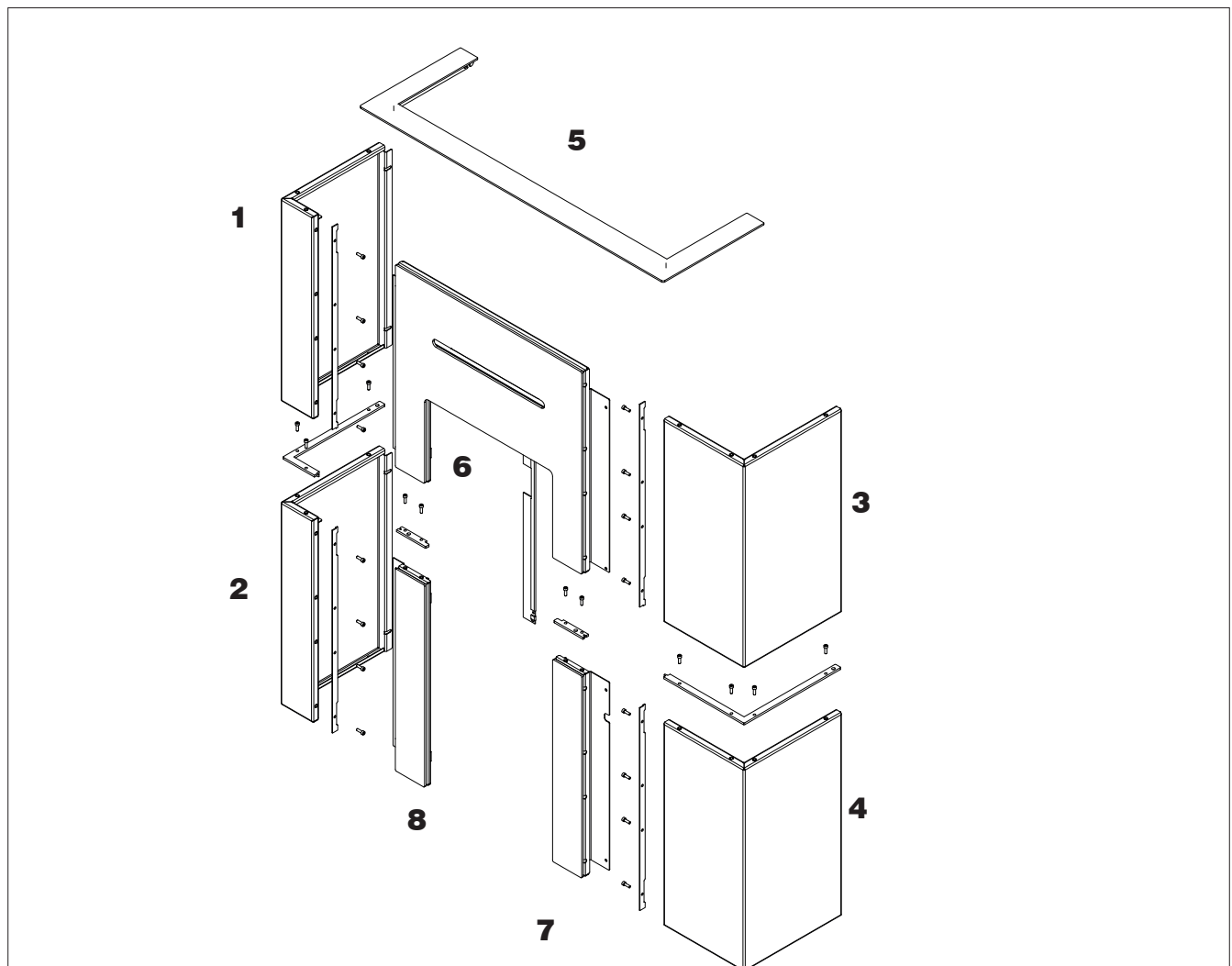


Description	Reference in the figures below	Quantity
Left upper panel	(1)	n°1
Lower left side	(2)	n°1
Right upper panel	(3)	n°1
Lower right side	(4)	n°1
Aesthetic top edge	(5)	n°1
TOp glass	(6)	n°1
Bottom right glass	(7)	n°1
Bottom left glass	(8)	n°1
Filler Profile		n°8
Small metal parts		

“Right” and “left” refer to the product when viewed from the front.

The above-mentioned elements, once they have been mounted, will be positioned as shown in the adjacent figure.

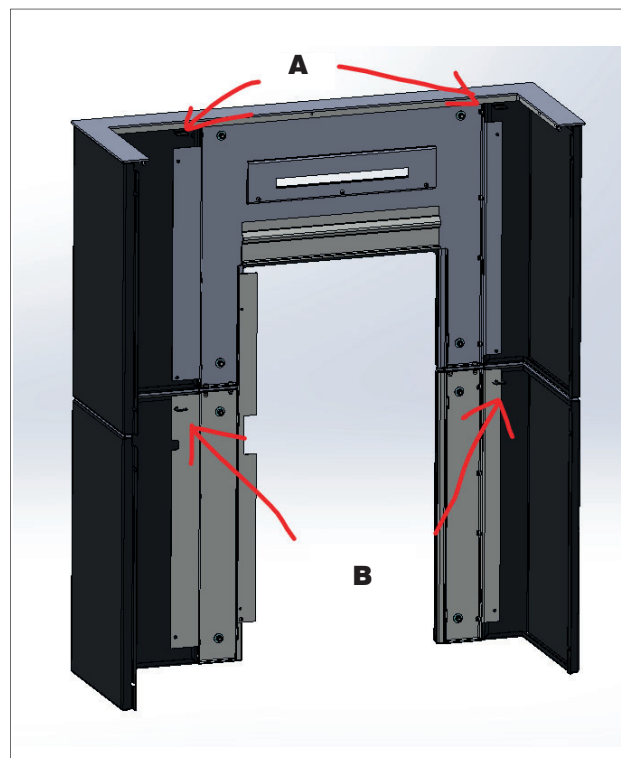
The mounting operations are described in the figures appearing on the following pages.



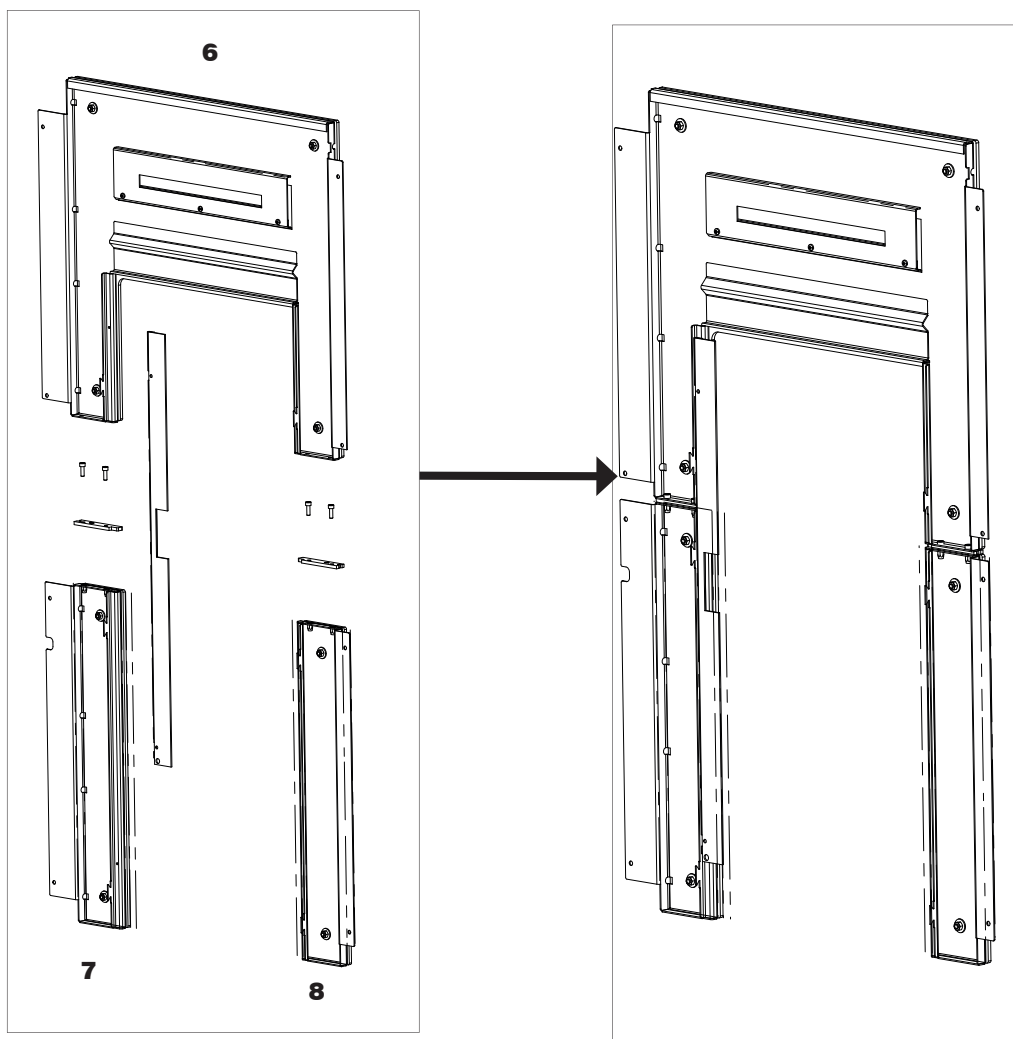
PRIMA DI MONTARE IL RIVESTIMENTO FISSARE IL PRODOTTO A MURO CON LE STAFFE IN DOTAZIONE PER EVITARE IL POSSIBILE RISCHIO DI RIBALTAMENTO.

INSTALLER

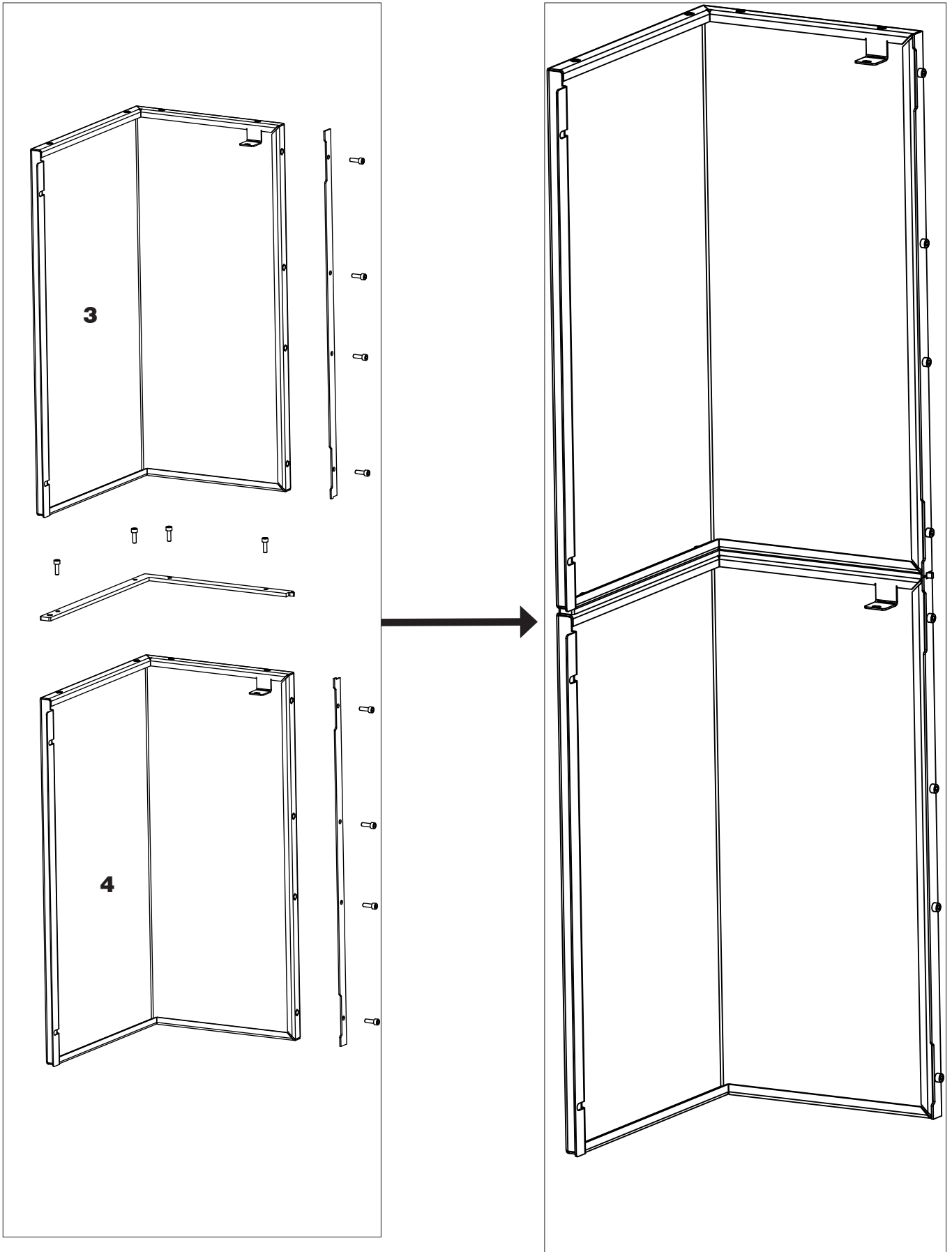
- Bend the upper flaps **(A)** to 90 °.
- Leave the lower fins **(B)** straight.



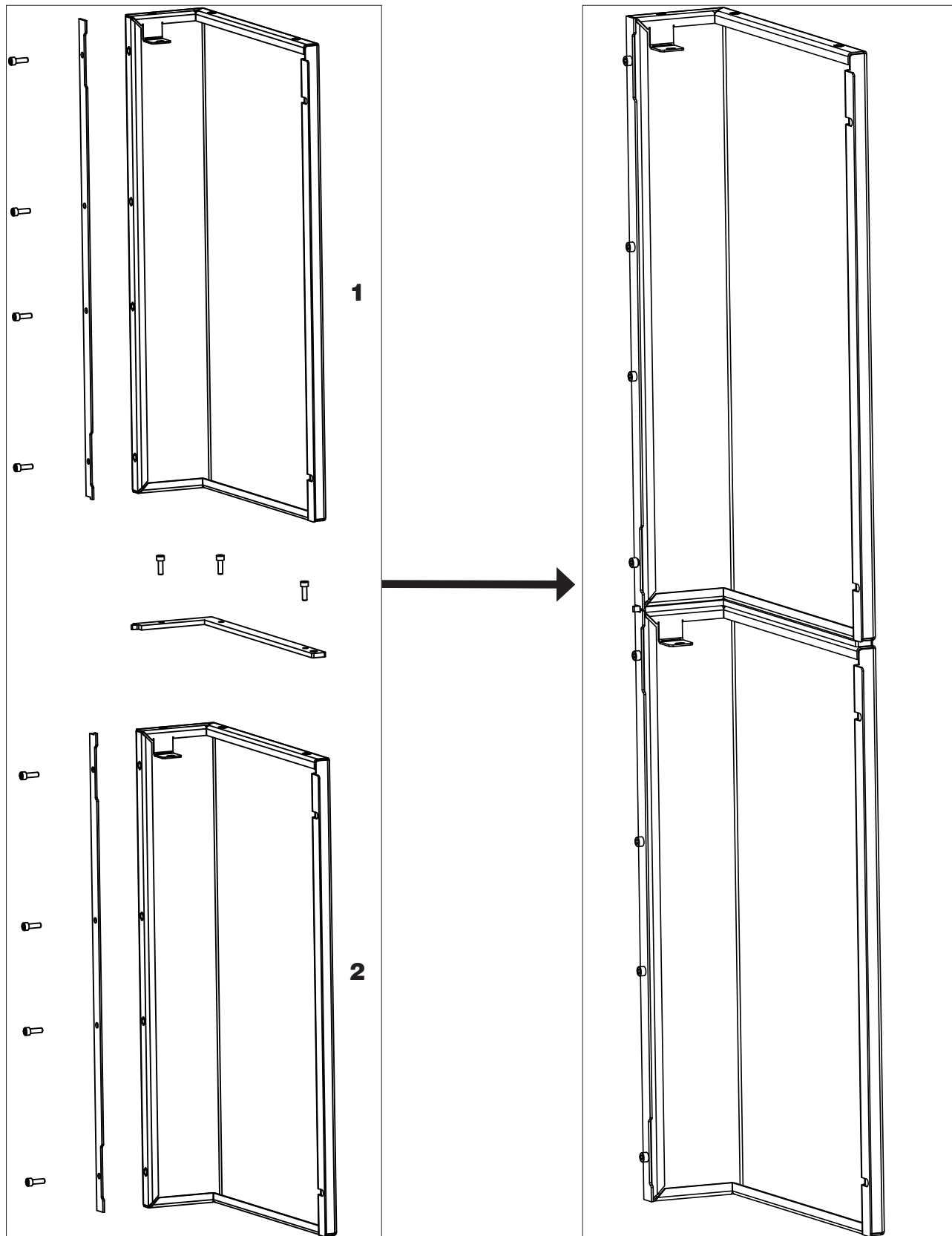
Assembling glass



Assembling the side panel

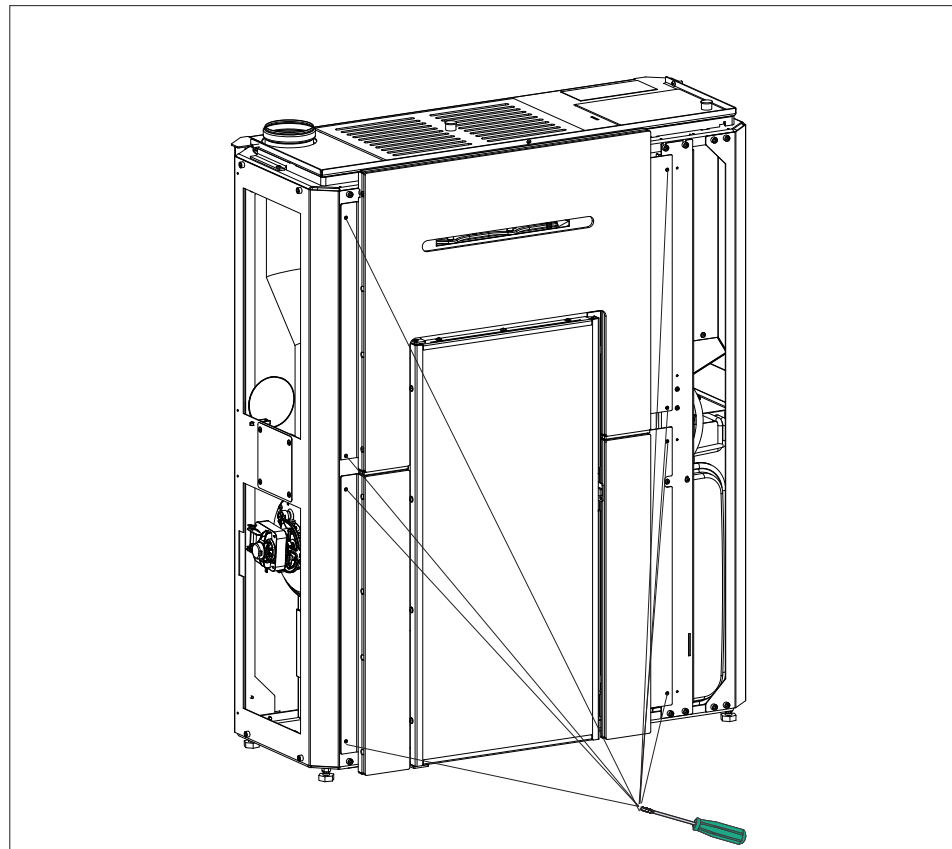
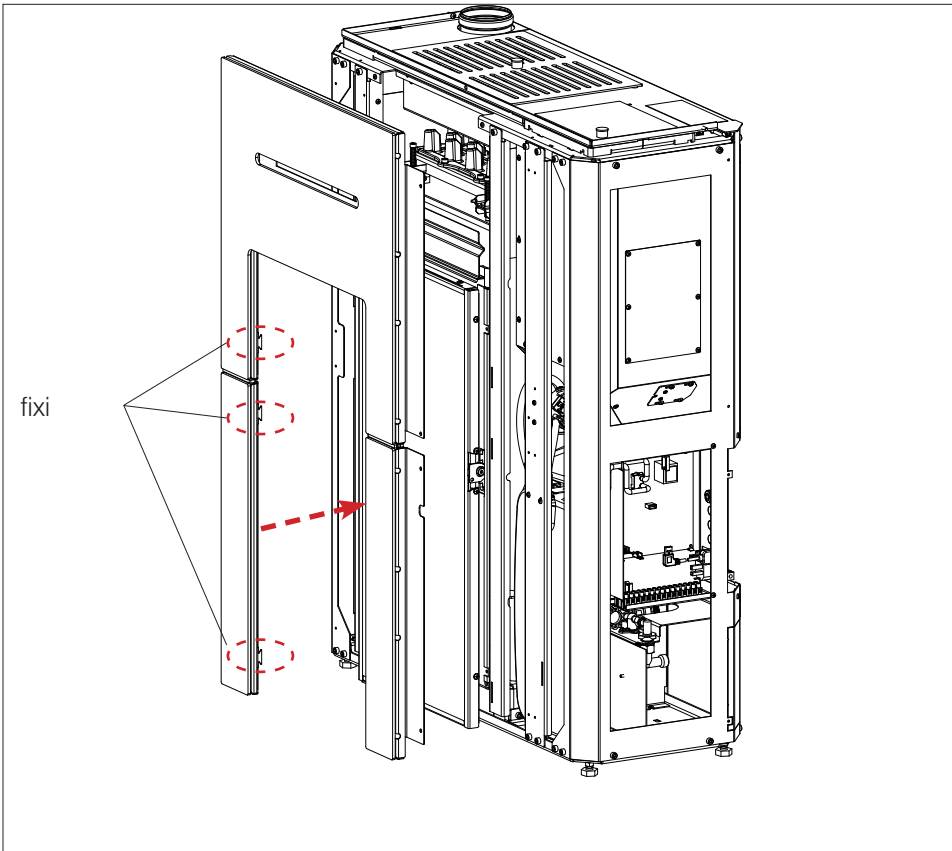


Assembling the side panel

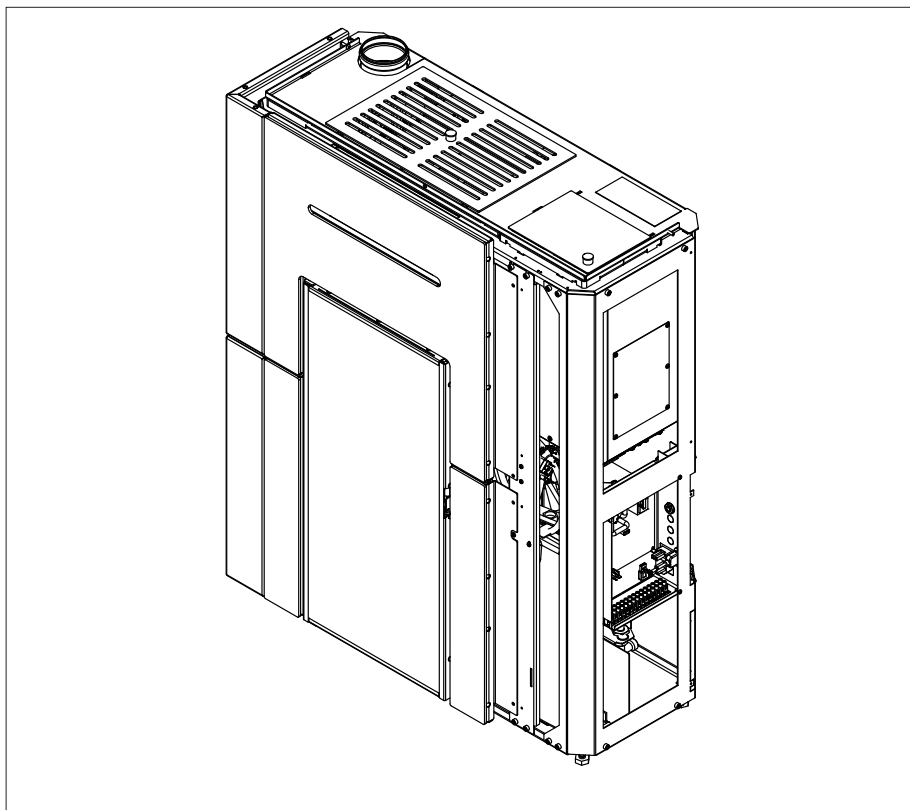


INSTALLER

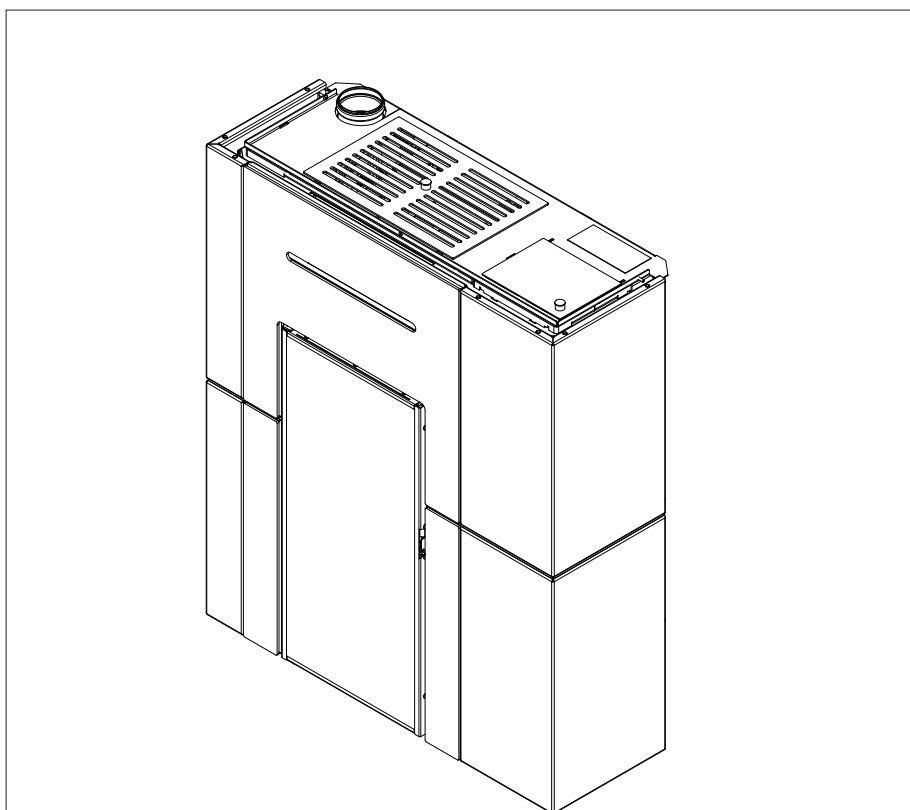
Fix glass



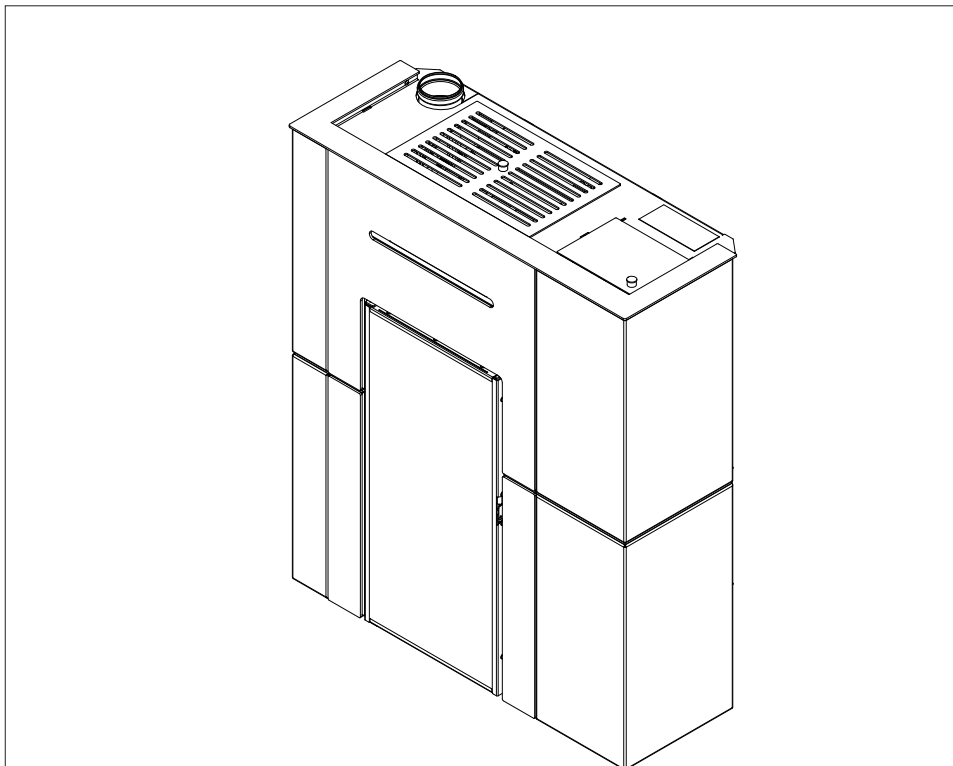
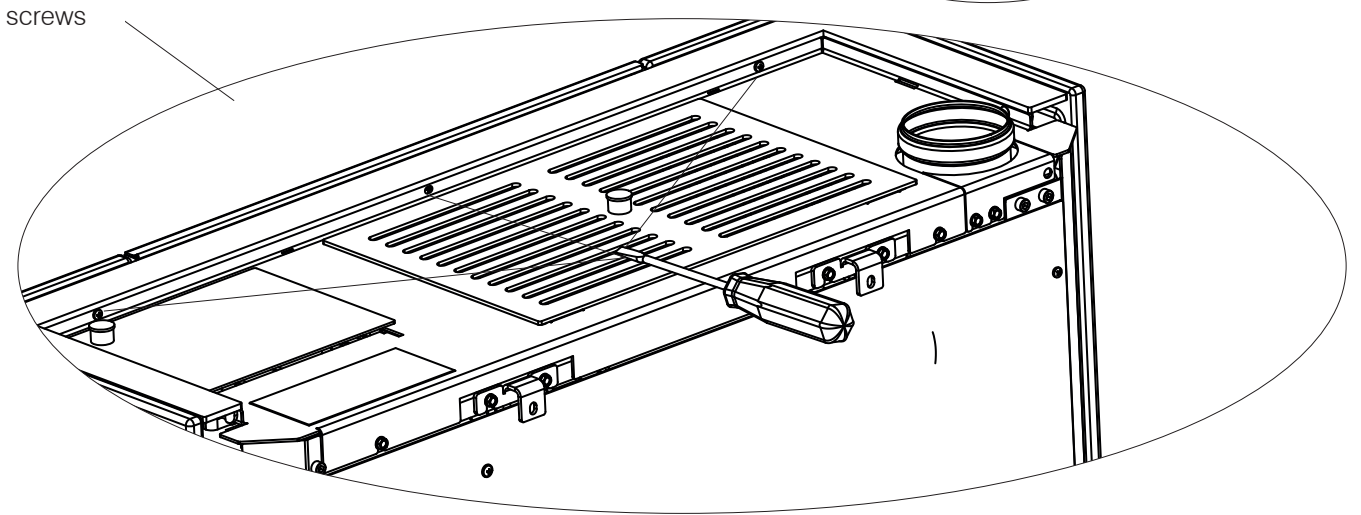
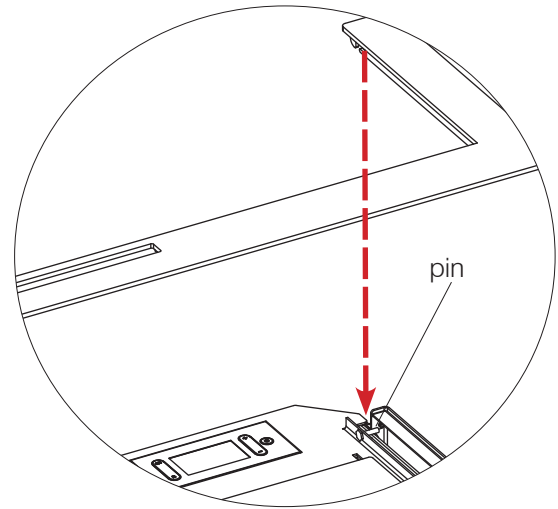
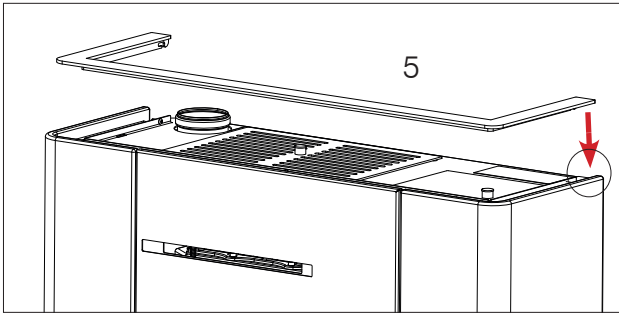
Assembling the left side panel



Assembling the right side panel



Assembling the left side panel (5)



HYDRAULIC CONNECTIONS

The hydraulic connections depend on the type of system.

However, there are a few “general rules”.

Below are the reference rules according to the Italian standards:

- The plumbing connections must be made by qualified personnel who can issue documentation certifying the correct installation according to the regulations in force in each country (for example, in Italy pursuant to Ministerial Decree 37/2008 and pursuant to the UNI 10412-2 standard).
- The hydraulic system must operate at a pressure between 1 and 1.5-2 bars at running temperature (hot) in a closed vessel circuit.
- N.B.: the product **SHOULD NOT** be installed in place of, for example, an open-vessel installed cooker without adjusting the expansion system to closed vessel.
- The presence of a puffer (inertial storage tank) is recommended but not mandatory. Its advantage is that it releases the product from “sudden” requests from the system and can be integrated with other heat sources. It reduces fuel consumption and increases the efficiency of the system.
- The return temperature of water must be higher than at least 50–55°C to prevent condensate from forming. The installer must assess, in relation to the plant, whether anti-condensate pumps or valves are required.
- An accumulator (tank) is needed to heat low-temperature radiant panels and must be installed according to the panel manufacturer’s instructions. Radiant panels must not receive water directly from the boiler stove.
- The material used in the circuit must be suitable to withstand overheating.
- The safety valve’s relief outlet must be accessible and visible. Waste water must be conveyed via a vertical pipe through a funnel with backflow air vents, at a suitable distance from the point of drainage.
- IT IS FORBIDDEN TO SHUT OFF THE OUTLET

All local, national laws and European Standards must be met in the proper sizing, installation, maintenance and use of the appliance. Refer to local codes in each country for installation and for anything not specifically mentioned.

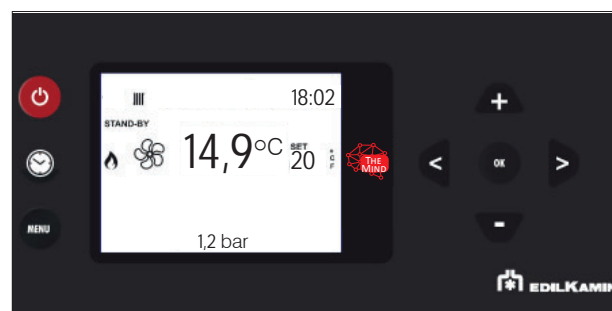
- Check that the hydraulic system has been properly arranged and that it is equipped with a sufficiently large expansion vessel for guaranteeing its safety. The presence of the vessel incorporated in the boiler stove does **NOT** guarantee adequate protection against thermal expansion of the water in the entire system. Therefore, installers should assess whether an additional expansion tank is needed, depending on the type of system.
- The installer must assess, on the basis of the type of water and system, whether water conditioners are required pursuant to the UNI 8065 standard (water treatment in heating systems for civil use).
- Direct plumbing to the radiators prevents proper operation, owing to the small diameter of their pipes.

Fill the system via the filling valve (we recommend not exceeding a pressure of 1.5 bar).

During the filling phase, bleed the pump and the relief valve.

Pressure gauge

The boiler stove has an electronic system for reading the water pressure. There is no analogue pressure gauge. The water pressure is shown on the display, in the middle as shown in the diagram below.



Any disabling can be made into the installer parameters.

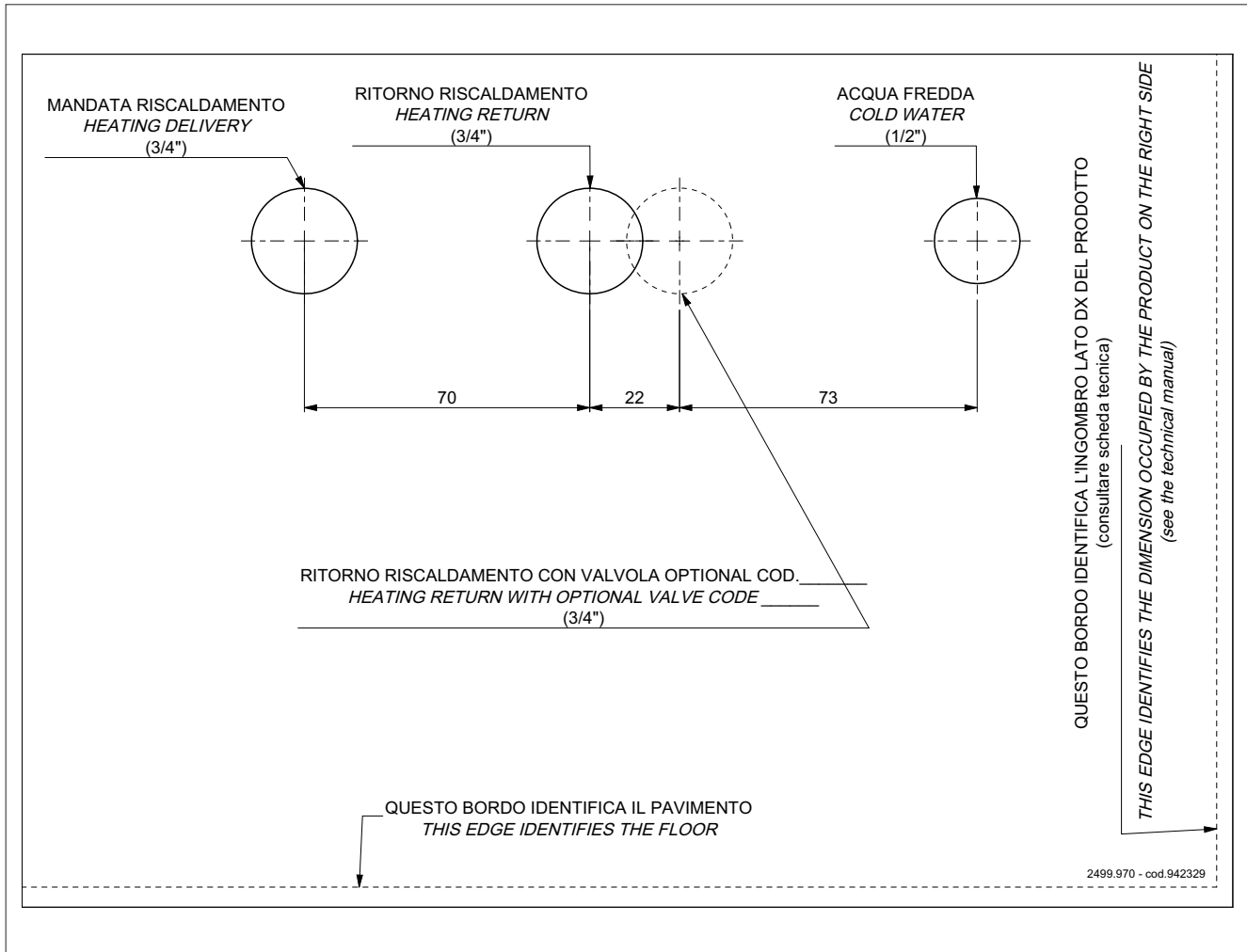


The return water temperature must be at least 50-55° C to avoid condensation. An anti-condensation system is essential, under penalty of forfeiture of warranty, as installation is not correct and non-compliant.

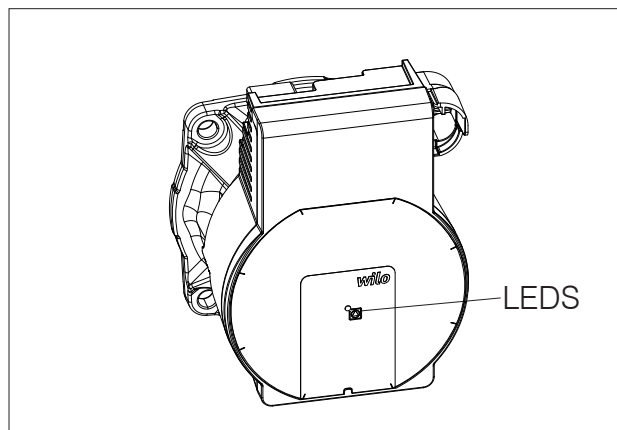
The product is equipped with:

- pump
- safety valve
- expansion vessel (suitably sized for the volume of water of the primary circuit)

Template for plumbing fittings in mm



PUMP SPECIFICATIONS



The pump has no adjustment devices.
 Adjustments are made via the electronic circuit board: it “starts” at minimum speed and makes adjustments based on the water temperature trend.
 The table below shows the LED signals and their descriptions.

LED	MEANING	CAUSE	SOLUTION
Steady green	Pump running	Normal operation	
Flashing green light	Pump in stand-by mode	Normal operation	
Steady red LED	Stall	Pump stalled	Contact the TAC
	Contact/winding	Defective winding	
Flashing red LED	Under-/over-voltage	Supply voltage too low/high	Check the supply voltage/contact the TAC
	Excessively high module temperature	Motor board temperature too high	
Flashing red/green light	Turbine-based operation	The pump is not powered but the hydraulic system is fed by other sources	Check the mains voltage/water pressure and environmental conditions/contact the TAC
	Dry operation	Air in the pump	
	Overload	The motor runs with difficulty	

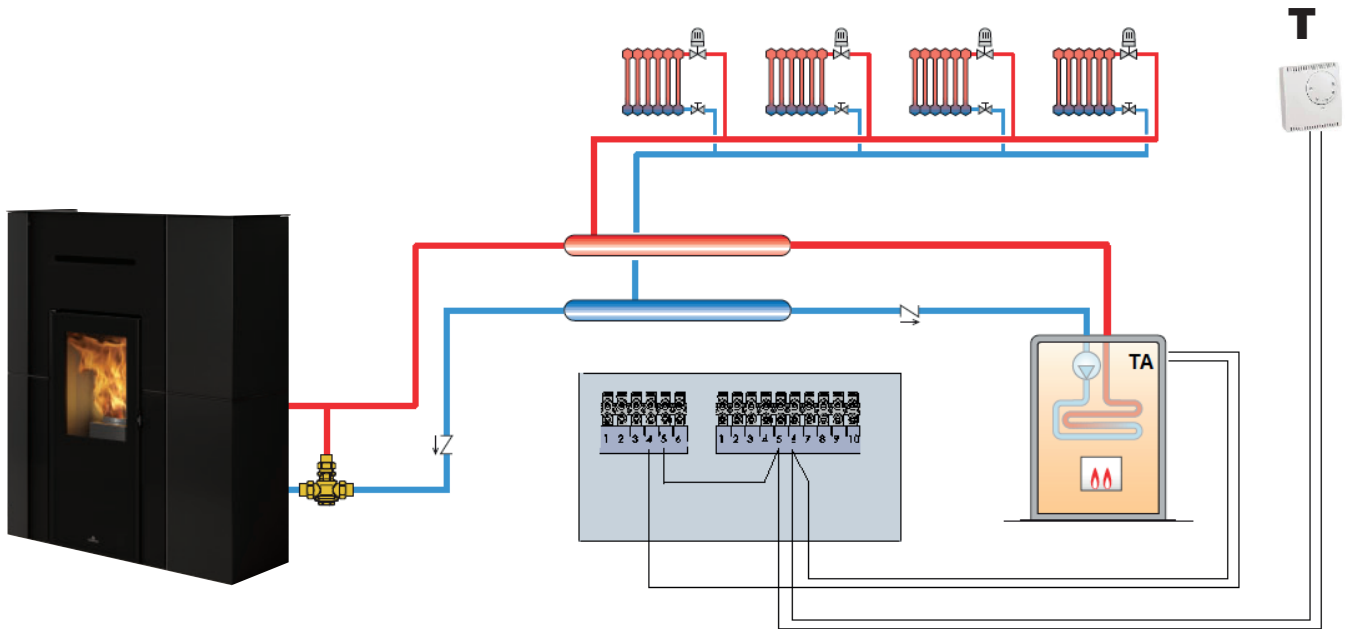
POSSIBLE SYSTEM DESIGNS

The installer can configure 4 types of systems.

The relative probe inputs are already configured automatically.

DIRECT HEATING (with optional boiler)

IT is configuration “O” in the parameters.



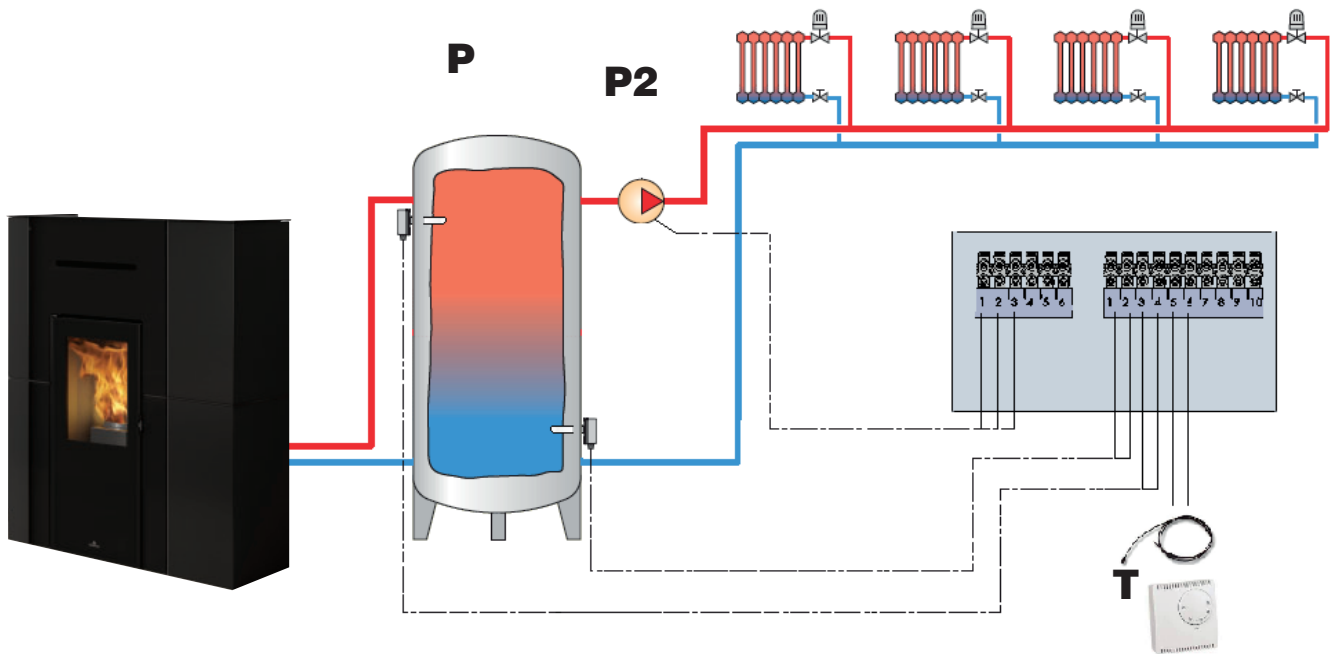
The product adjusts in relation to the water temperature and switches on/off on the basis of the room temperature (probe or thermostat T) or, at the discretion of the installer, on the basis of the water temperature.

NOTE:
In Italy the systems must be separated if the power exceeds 35 kW.

NOTE:
Given the product's power, we do not recommend using it to produce instantaneous domestic hot water.

HEATING WITH PUFFER (inertial storage tank)

IT is configuration "1" in the parameters.



ENGLISH

The product adjusts in relation to the water temperature and switches on/off on the basis of the PUFFER temperature (P).

The room temperature measured by the thermostat (T) adjusts the secondary circuit pump (P2)

NOTE:

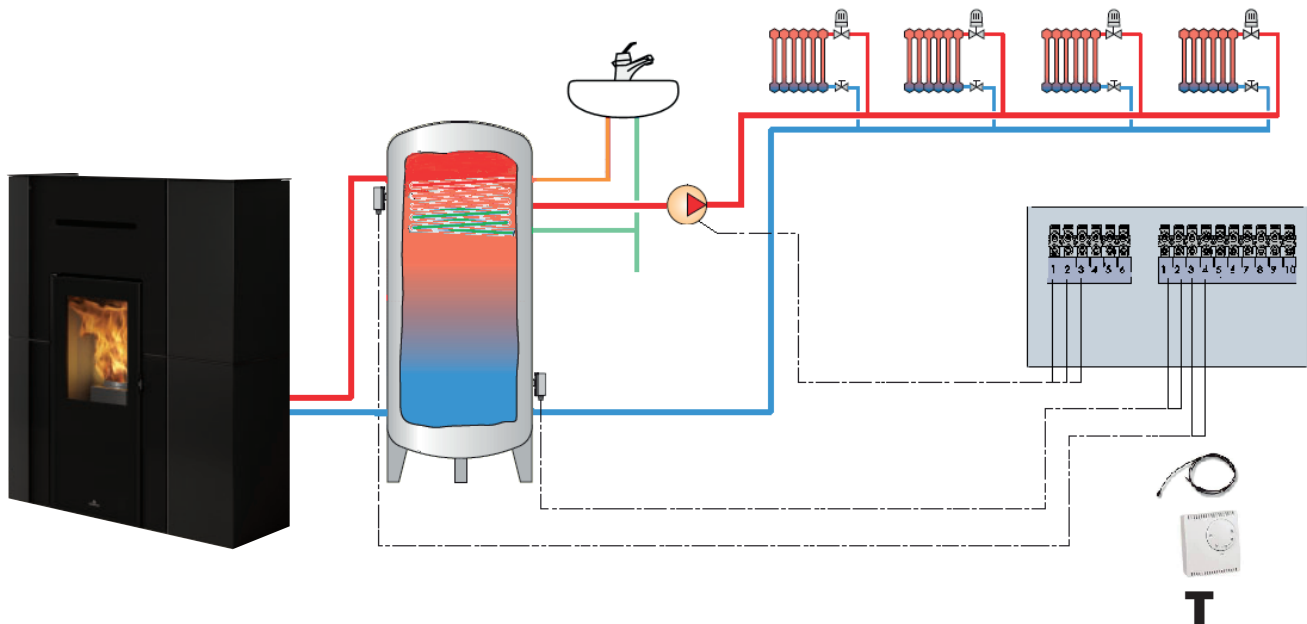
In Italy the systems must be separated if the power exceeds 35 kW.

NOTE:

Given the product's power, we do not recommend using it to produce instantaneous domestic hot water.

HEATING WITH DHW STORAGE TANK (with optional boiler)

IT is configuration “2” in the parameters.



The product has the main aim of heating the domestic hot water storage tank.

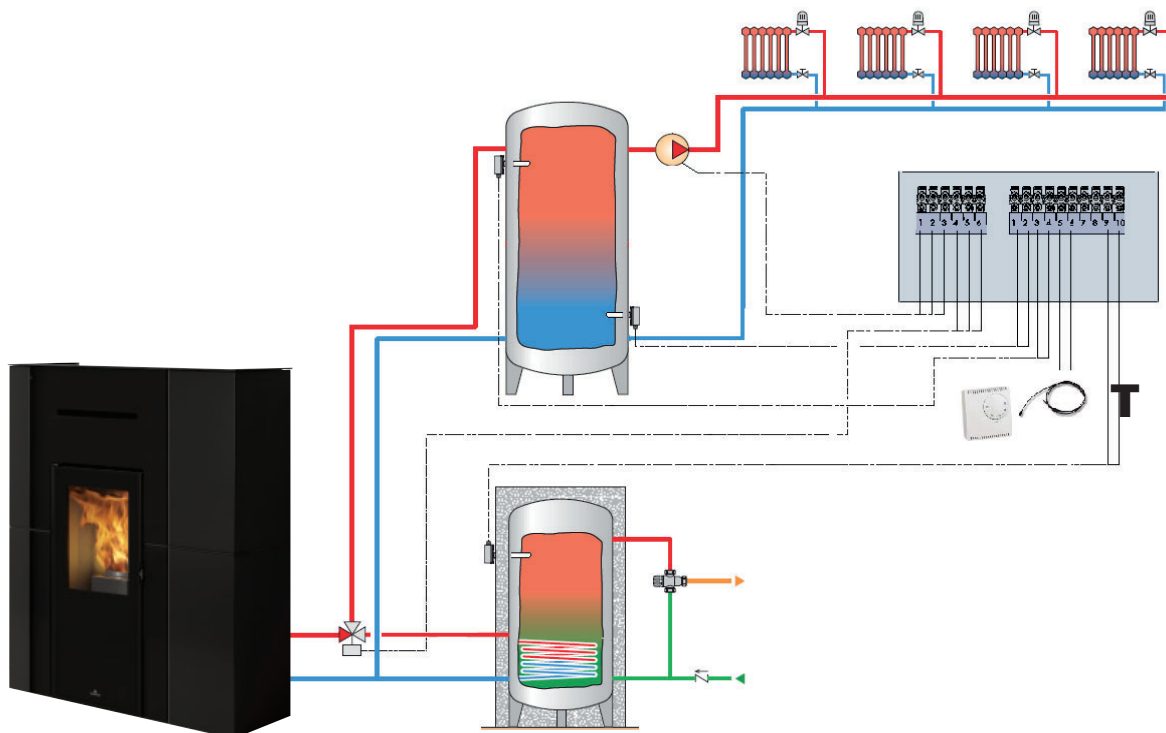
The product adjusts in relation to the water temperature and switches on/off on the basis of the room temperature (probe or thermostat T) or, at the discretion of the installer, on the basis of the water temperature.

NOTE:
In Italy the systems must be separated if the power exceeds 35 kW.

NOTE:
Given the product's power, we do not recommend using it to produce instantaneous domestic hot water.

HEATING WITH PUFFER (inertial storage tank) AND BOILER (domestic hot water storage tank)

IT is configuration “3” in the parameters.



The product has the main aim of heating the domestic hot water storage tank.

The product adjusts in relation to the water temperature and switches on/off on the basis of the PUFFER temperature (P).

The room temperature measured by the thermostat (T) adjusts the secondary circuit pump (P2)

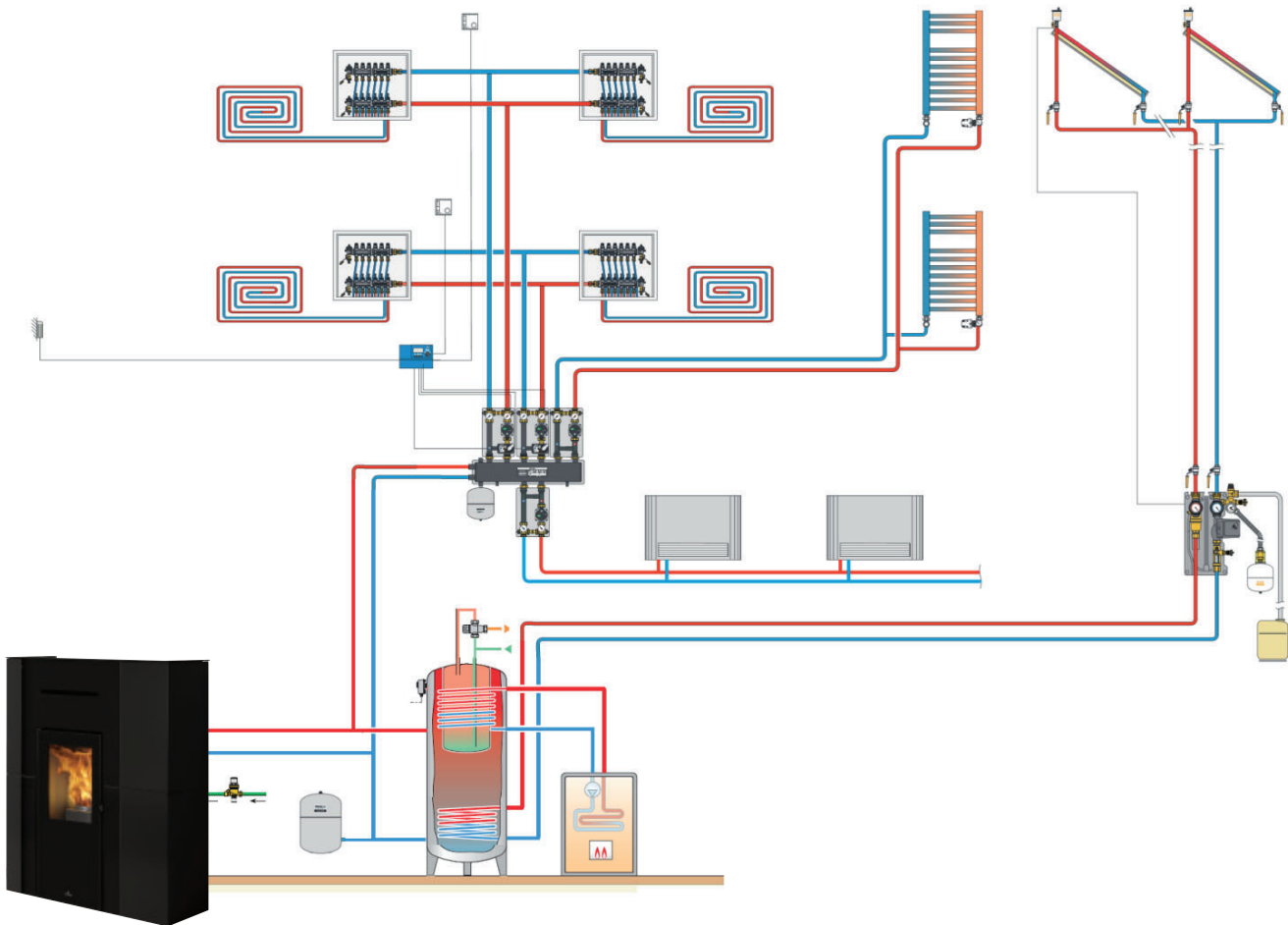
NOTE:

In Italy the systems must be separated if the power exceeds 35 kW.

NOTE:

Given the product's power, we do not recommend using it to produce instantaneous domestic hot water.

In addition to the pre-set configurations, the product can be installed on integrated systems (example below) with probes and thermostats.

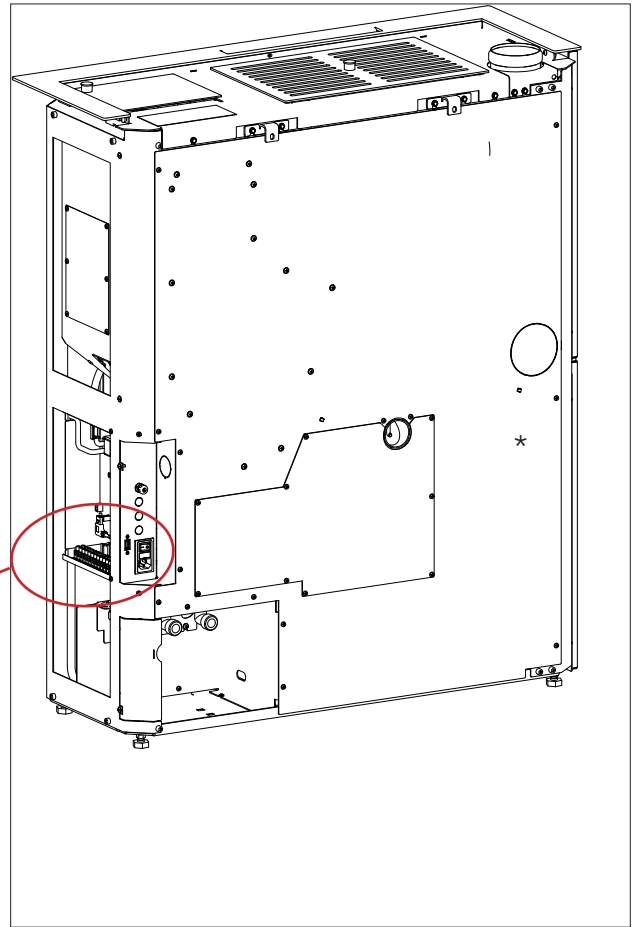
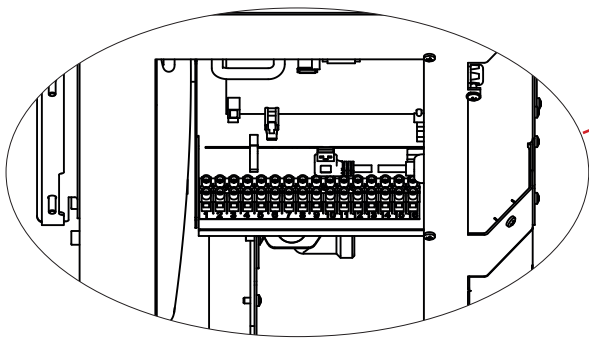


NOTE:
In Italy the systems must be separated if the power exceeds 35 kW.

NOTE:
Given the product's power, we do not recommend using it to produce instantaneous domestic hot water.

TERMINAL BOARD

On the side there is a bracket with 2 terminal boards*. One terminal board (10 poles) is low voltage and the other (6 poles) is high voltage. Examples of possible connection configurations are given below.



The poles are numbered on the product as below

low voltage terminal board

No. of POLES	POSSIBLE CONNECTIONS	NOTES
1/2	NTC analogue input 10 k	for example, for a second probe for accumulator tank or boiler for domestic hot water or for an external probe for climatic curve
3/4	NTC probe/puffer tank thermostat	
5/6	NTC probe (standard) / room thermostat	the room probe is supplied already wired as standard
7/8	Home Automation Input. This is an input which receives all home automation contacts	
9/10	Probe for domestic hot water boiler	

high voltage terminal board

No. of POLES	POSSIBLE CONNECTIONS	NOTES
11/12/13	Electrical connection for booster/secondary pump (Earth, Neutral/Phase)	
14/15/16	External solenoid valve (Common, Normally Closed, Normally Open) 4 = Common 5 = Normally Closed 6 = Normally Open	The technician can configure the setting for the connection on pins 4 and 5 of an output contact for an external boiler or remote alarm.

REMARKS ON INSTALLATION

Note that:

- installation must be carried out by authorised technical personnel;
- the appliance must be installed and operated in compliance with local and national law and European regulations. The applicable Italian regulation is UNI 10683;
- if installed in a condominium, the appliance must be approved by the administrator.

Here are a few general instructions, although these do not obviate the need to comply with local regulations and do not affect the installer's liability for the installation.

Checking the suitability of the installation space

- The room must have a volume of at least 15 m³
- The floor must be able to bear the weight of the product and its accessories.
- Level the product (the product is provided with adjustable feet).
- The appliance cannot be installed in the same room as other equipment which draws air for combustion from the room itself or any area with an explosive atmosphere. Any extraction fans operating in the same room or area as the product may affect its draught.
- In Italy, check the compatibility pursuant to UNI 10683 and UNI 7129 in the presence of gas-fired products.

Protection from heat and safety clearances.

The surfaces of the building adjacent to the product must be protected against overheating.

The insulation to be used will depend on the type of surface in question.

The appliance must be installed in accordance with the following safety instructions:

- no flammable materials may be kept less than 5 cm to the sides.

- no flammable materials may be kept within 80 cm from the front of the appliance.

If connected to a wooden or otherwise flammable wall, the smoke exhaust pipe must be insulated appropriately.

If installed on flammable or combustible floors, or floors not able to withstand its load, place steel or glass plates beneath the stove to distribute the load.

Information on the product's positioning

The product is designed to operate in all climate conditions. In special circumstances, such as strong wind, the safety devices may intervene to switch the appliance off.

Contact the authorised Edilkamin Technical Assistance Centre.



The infiltration of condensation water through the chimney is to be avoided at all costs. An anti-condensation ring must be fitted where necessary (please contact your chimney sweeper). Damages caused by condensation water are not included in warranty.

FLUE SYSTEM(Smoke duct, flue and chimney pot)

This chapter has been drawn up pursuant to European regulations EN 13384, EN 1443, EN 1856 and EN 1457. The installer must observe both these and any other local regulations.

This manual does not in any way substitute such regulations.

The product must be connected to a smoke exhaust system which ensures that the smoke produced by combustion is expelled in complete safety.

Before positioning the appliance, the installer must check that the flue is suitable.

SMOKE DUCT, FLUE

The smoke duct (which connects the combustion chamber smoke outlet with the flue inlet) and the flue itself must, among other regulatory requirements:

- receive the smoke from a single product (the outlets of multiple appliances may not be conveyed into a single flue)
- be routed vertically for the most part
- have no downwards sloping sections
- preferably have a circular internal cross section, or with a ratio of the sides of less than 1.5
- terminate at roof level with a proper chimney pot: the flue may not discharge directly on the wall or into an enclosed space, even if the space in question is open to the sky
- be made of material with rated fire reaction class A1 as per UNI EN 13501 or analogous national regulations
- be certified, with a chimney plate if metal
- be of uniform cross section or vary in cross section only immediately after the outlet, not at some mid point of its length

THE SMOKE DUCT

Besides the general prescriptions applicable to the smoke duct and flue, the smoke duct:

- may not be made of flexible metal material
- must be insulated, if routed through unheated areas or outdoors
- must not be routed through rooms where the installation of combustion heat generators is prohibited, there is risk of fire, or which cannot be inspected
- must enable the recovery of soot and be open for inspection
- must have at most 3 bends with a maximum angle of 90°
- if there is a horizontal section, it must have a maximum length of 3 metres, depending on the draught Note, in any case, that long sections encourage the accumulation of dirt and are harder to keep clean.

The correct sizing of the flue system must be made by the installer.



THE FLUE OUTLET Ø IS NOT THAT OF THE CHIMNEY SYSTEM, WHICH MUST BE SIZED IN ACCORDANCE WITH NATIONAL AND LOCAL STANDARDS

FLUE

Further to the general prescriptions, the flue must

- only be used to discharge smoke
- be correctly sized to satisfy the requirements of smoke discharge (EN 13384-1)
- must preferably be insulated, in steel with a circular internal section. If rectangular, the corners must have a radius of not less than 20 mm, with a ratio of the internal dimensions of <1.5
- must normally be at least 1.5 metres in vertical length
- must have a constant cross section
- must be waterproof and thermally insulated to ensure proper draught
- preferably provide a collection chamber for unburnt residues and condensates
- if pre-existing, must be clean, to prevent fire hazards
- in general, we recommend fitting a tube inside the existing masonry chimney if its diameter is greater than 150 mm. This recommendation is purely indicative; the installer must assess the actual situation on-site after measuring the draught.

:
Besides the general prescriptions, the buried system must:

- operate in negative pressure;
- be inspectable;
- comply with local regulations.

must:

- be windproof
- have an internal cross-sectional area equivalent to that of the flue and a smoke outlet at least double that of the interior of the flue
- extend beyond the back flow zone (in Italy, refer to UNI 10683 point 6.5.8.)
- allow for maintenance of the chimney

For dual flues (which should be spaced at least 2 m apart), the chimney pot receiving the smoke from the solid fuel appliance or the pot on the higher storey must be at least 50 cm higher than the other

COMBUSTION AIR INTAKE

In general, we suggest two ways to ensure a proper flow of combustion air. The air must be drawn from outside*

Please remember to also ensure air exchange for heating and glass cleaning air, etc.

Indirect air intake

The product draws air from outside through a hole in the rear.

Install an air outlet at floor level with an effective surface area (net of the screen or other protections) of at least 80 cm² (10 cm in diameter).

To prevent draughts, we recommend installing the intake behind the product or behind a radiator.

Installing it in front of the appliance will create unpleasant draughts.

Direct air intake **

Install an air intake of effective surface area (net of the mesh or other protective equipment) equal to the cross section of the air intake at the back of the product.

Connect the air intake to the appliance's air intake with a pipe that may also be flexible. Increase the diameter of the pipe if the pipe is not smooth: assess any load loss.

We recommend not exceeding a 3 m length, taking into account the flue draught. For each curve, up to a maximum of two curves, the length should be reduced by 1m. Assess whether or not to increase the diameter of the pipe.

*The air may be drawn from an adjacent room only if:

- the flow is taken from permanent and unobstructed openings communicating with the outdoors;
- the air pressure in the adjacent room is never lower than that of the outdoor pressure;
- the adjacent room is not a garage, subject to fire hazard, a bathroom or a bedroom;
- the adjacent room is not a shared room in the condominium.

In Italy, UNI 10683 provides that ventilation is sufficient even if a pressure difference between the outdoors and indoors of no more than 4 PA is guaranteed (UNI EN 13384-1). The installer who issues the declaration of conformity is responsible for ensuring these conditions.

**Direct connection to the air intake will not make the product airtight. It is therefore necessary to additionally ensure an air intake from within the room where the product is installed (i.e. for cleaning the glass)

CHECKING THE ELECTRICAL CONNECTIONS (the power outlet must be located in an easily accessible position)

The product is supplied with an electrical power cord for connection to a 230 V 50 Hz socket, preferably one equipped with a residual-current device.

Variations in voltage of more than 10% can jeopardise its operation.

The electrical system must be compliant; check the operation of the earth in particular.

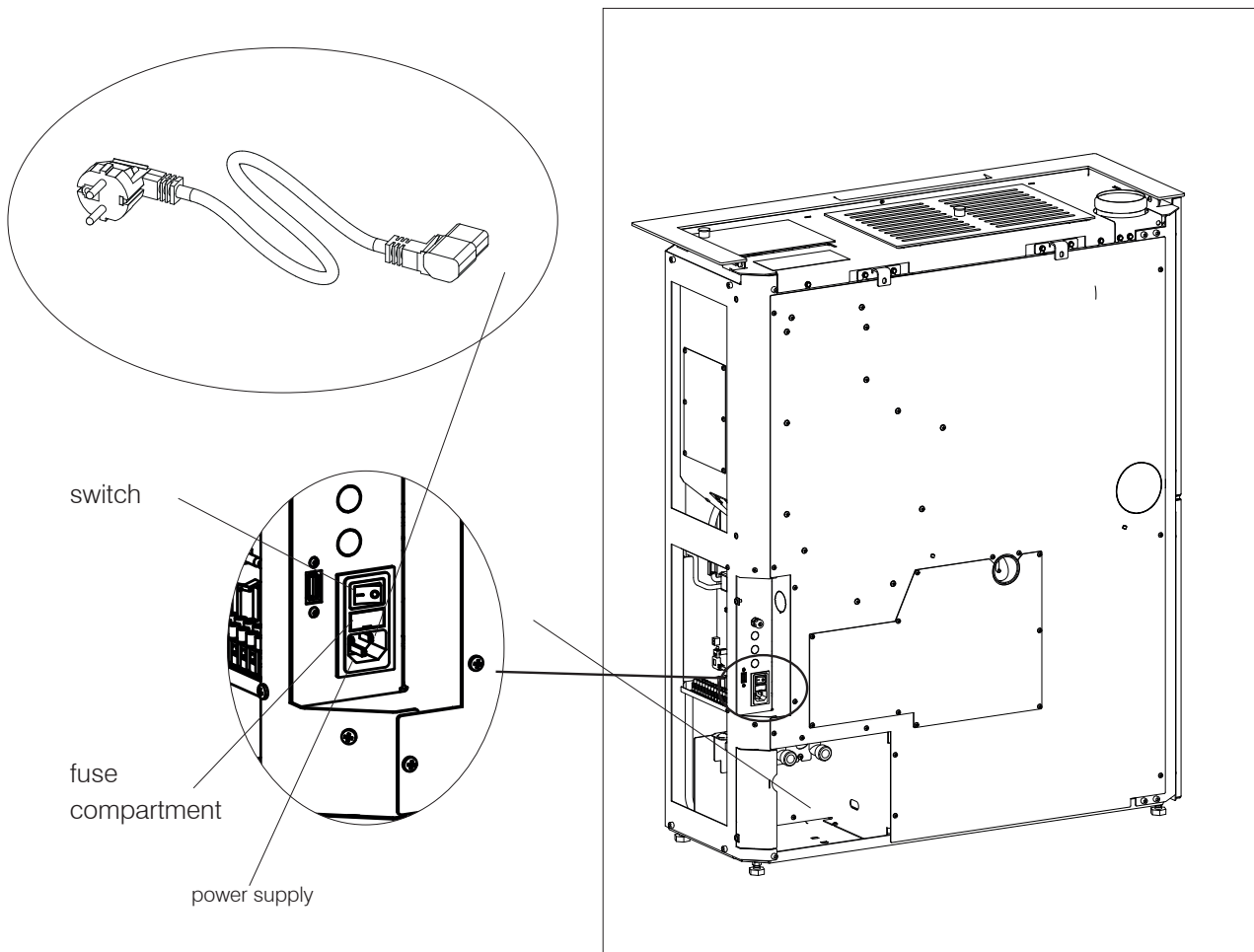
Edilkamin is not responsible for malfunctions resulting from an improperly earthed system.

The power line must be of adequate section for the power of the appliance.

The power cable must not come into contact with the flue or other hot parts of the stove.

Power up the product by setting its switch from 0 to 1.

There is one fuse on the socket with switch located at the rear of the product.





FIRST IGNITION (COMMISSIONING) PHASES

- Make sure you have read and understood this manual.
- Switch it on **ONLY** with the claddings mounted on.
- Remove all flammable materials from the appliance (manuals, labels, etc.). In particular remove any labels from the glass.
- Make sure the technician has carried out first ignition for the product, and also filled the pellet reservoir for the first time.

FUEL

Use Class A1 wood pellets conforming to the UNI EN ISO 17225-2 standard or similar local regulations envisaging, for example, products with the following characteristics:

- diameter 6 mm
- length 3-4 cm
- humidity <10 %

For reasons of safety and environmental compatibility, **DO NOT** burn, among other, plastic, painted wood, coal or bark.
Do not use the stove as an incinerator.



On first ignition, there may be a slight smell of paint, which will disappear in a short time.

It is recommended to run the product at full power, with open windows during the first few days.



VENT

During normal operation the stove is vented automatically. The need for a manual vent for the system can only be assessed by the technician during commissioning.



As with all appliances, this product heats up and cools down during the various operating phases.
This implies **normal expansion** movements.

These expansion movements may cause slight adjustment noises that cannot constitute grounds for complaints.

Product will also settle down during the first days of operation.

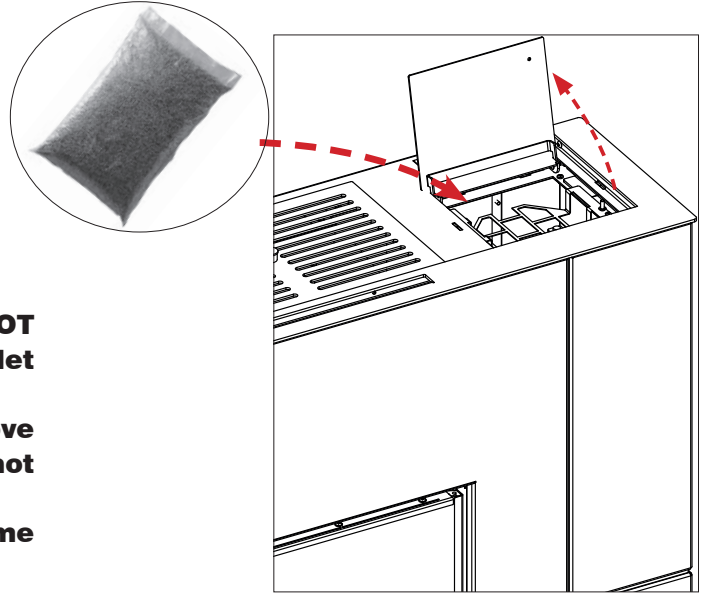


CAUTION

Using fuels other than those specified can damage the appliance.

LOADING PELLETS INTO THE TANK

To access the tank, open the lid. *



When the boiler stove is hot, DO NOT MAKE CONTACT between the pellet bag and the top grille.

Use the glove when loading the stove while it operates and is therefore hot to the touch.

Take care not to touch the fume exhaust pipe when hot.



When the stove is hot, DO NOT PLACE the bag of pellets onto it.

Use the glove when loading the stove while it operates and is therefore hot to the touch.

OPERATION

Mode	Settable parameters
AUTOMATIC	<ul style="list-style-type: none"> desired room temperature ventilation level *
CRONO	<ul style="list-style-type: none"> desired room temperature, selected per day of the week ventilation level*

The product also has the following supplementary functions.

Function	Modes in which it can be activated	What it does
Stand-By	automatic crono	when the desired temperature is reached, the product switches off and then back on again when the temperature drops



INTERFACE

The product can be managed alternatively as follows

STANDARD

- **DISPLAY**: useful for all functions, located on the product
- **The Mind APP** : useful for all functions at home with direct connection or outside the home with internet connection and registration

By purchasing the Edilkamin **optional elements**:

- **VOICE CONTROL SYSTEMS**: Alexa or Google Home

OPTIONAL ELECTRICAL CONNECTIONS

A terminal board is present on the product (accessible by removing the covering, with electricity off and only by qualified technicians).

DEPENDING ON THE TYPE OF SYSTEM, THE INSTALLER CAN CONNECT PROBES OR THERMOSTATS FOR THE ADJUSTMENT OF THE PRODUCT ACCORDING TO DIFFERENT SIZES.

In case of connection of probes or thermostats on the room inputs, the relevant parameters must be set in the Technical Menu of the appliance.



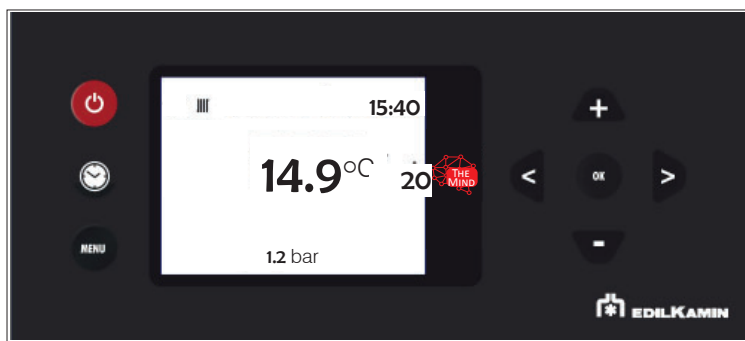
We recommend, at the end of installation and commissioning, to check all the daily operations and useful documents with the technician.

NOTE:

The connections must be made by qualified personnel, with the electricity disconnected.




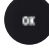

More info for installers on the site.

The displays follow the functions at the same time and are described in the following paragraphs:



- BUTTONS

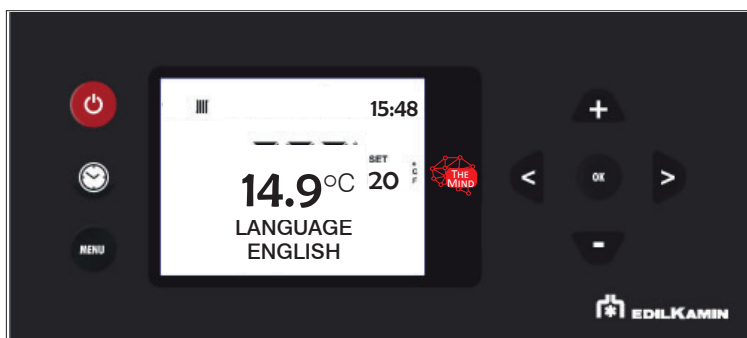
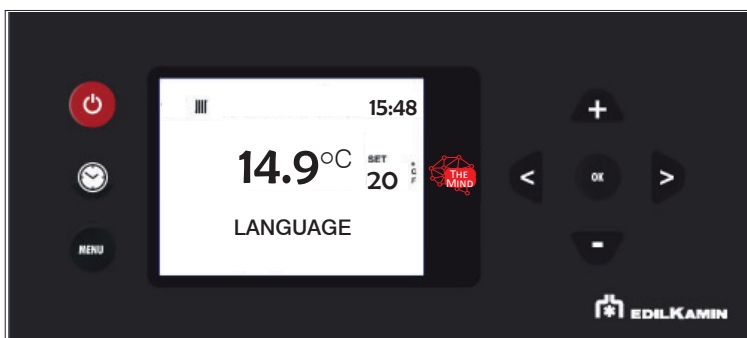
The display has 8 buttons:




-  **ON/OFF:** to go from the OFF status to the ON status. In the Menus, to confirm and return to the main screen.
-  **+/-:** to increase/decrease the set values or scroll the menu items
-  **M:** to access the Menu or to exit the Menu items without saving
-  **OK:** to confirm an operation (2 seconds) or to access a menu item
-  **<>:** to adjust the ventilation and move through the menus

Energy saving of the display

After 1' of inactivity of the display, the backlight turns off
 After 3' of inactivity, the display turns off
 To reactivate it, press any button

When first switched on, if the language was not set, the screen on the side for setting the language appears. Choose the language with the +/- buttons and confirm with OK.



Choose the language with the buttons  and  select it with button 

From the display it is possible to:

- **Switch from OFF to ON status, keeping the ON/OFF button pressed for a long time**
- **Set the room temperature desired, using buttons +/- (see below)**

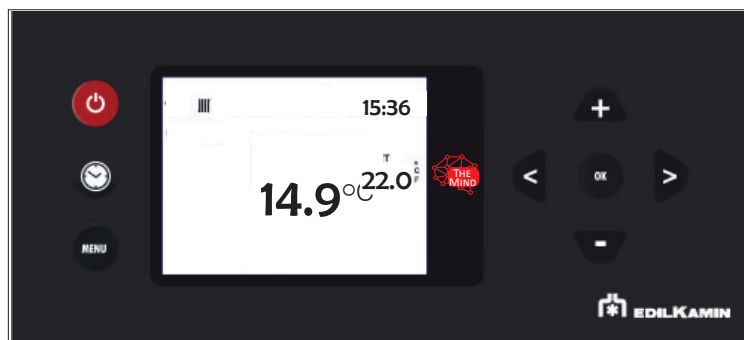


Switching on and off takes a few minutes, during which the flame must appear or go out. Let it happen without intervening. During ignition, the display shows the word "START".

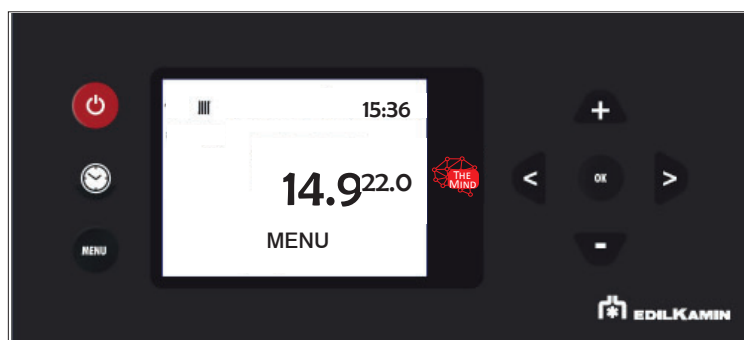
During shutdown, the display shows the word "OFF".

- SIMPLIFIED USE after first start-up

In the default configuration, after having powered up, press the ON/OFF button on the display to "activate" the product and adjust the desired room temperature with buttons +/- . The product will turn on, turn off and adjust the power automatically to ensure the desired temperature.





Press button  to access the Menu screen.





- FAN ADJUSTMENT

The setting can be made with the stove turned OFF or ON.
If the backlight is switched off, it can be activated by pressing any button.

Then by pressing button  or  SET flashes and instead of environment Set, the indication of the number of fan in modification (F1) appears.








The fan speed can be increased or decreased with  or  in the following sequence:
AUTO -1 -2 - 3 - 4 - 5

The setting is confirmed with button .

- FAN STATUS DISPLAY

If the product has not heated up, no symbol will appear.



- FAN OFF: 
- SPEED 1: 
- SPEED 2: 
- SPEED 3: 
- SPEED 4: 
- SPEED 5: 
- AUTOMATIC: 

POSSIBLE STATUSES of the product:

- OFF STATUS

The product is “deactivated” and does not produce heat, following manual shutdown with ON/OFF of the radio control or with intervention from an external contact (crono, telephone dialler).

From the OFF screen, the ON screen can be accessed by pressing the ON/OFF button for 3 seconds.

- ON STATUS

Situation in which the product is “active” and can satisfy the heat demands.

- ALARM STATUS

In case of Alarm Block, the display shows the type of alarm. See the paragraph “Tips for possible problems”

- ON/OFF STATUS Stand-By active

Situation in which the product is momentarily turned off because it has no heat demand.



With stand-by active, in the ON status the product switches on only when there is a heat request.

If the product was working, it goes to minimum power and waits for the set time before turning off.

If the product was in the ignition phase, it completes the ignition phase, goes to minimum power and waits for the set time before switching off.

If the product was OFF and is brought to ON, the stove immediately goes into stand-by, without turning it on.



We recommend, at the end of installation and commissioning, to check all the daily operations and useful documents with the technician.

- MENU

It can be accessed by pressing the  button and the first Menu item will appear.

You can scroll the menu items with the  and  buttons, and enter the item with the  button

The Menu items are as follows

- STAND-BY**
- PELLET LOAD**
- CRONO**
- TEMP. CRONO (T1-T2)**
- DATE-HOUR**
- LANGUAGE**
- DISPLAY**

others ONLY under the guidance of technician

NOTE


Order and writing may vary slightly depending on the version



We recommend, at the end of installation and commissioning, to check all the daily operations and useful documents with the technician.

The set-point digits contain the progressive number of the menu item, while the status bar includes the description of the item



To exit the menu, press 

- STAND-BY

With the Stand-by function active, when the desired temperature is reached, the product switches off and switches on again when the room temperature drops below the desired one.




When the Stand-by function is not active, the product sets itself to minimum power when the temperature set-point is reached.


To access the function from the main menu (as indicated in the Menu paragraph above), press the  button

You can scroll the menu items with the  and  buttons, and enter the item with the  button

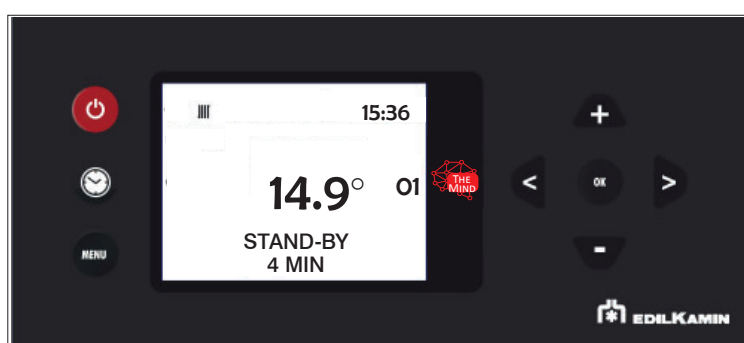
After entering the Stand-by function, the display will show the name of the function on the first line of the status bar and the current value on the second line (OFF if deactivated, ON if active).



The  and  buttons can be used to modify the value from Off (function deactivated) to On (activated) and the  button can be used to confirm.

Pressing the  button with the value ON activates the function and the display will propose to choose how many minutes must pass before the device switches off in stand-by mode.

(example 4 minutes)



The  and  buttons can be used to modify the time, and the  button to confirm

Pressing the  button automatically takes you to the first level.

- PELLET LOADING

Allows for loading the pellets once the screw feeder has emptied completely.

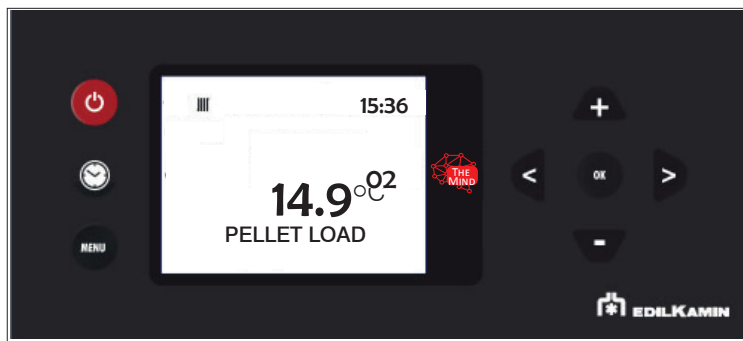
Useful for the technician during the initial start-up.





Available only in the OFF status. Any attempt to activate the function in other statuses will not be allowed.

To access the function from the main menu (as indicated in the Menu paragraph above), press the  button

You can scroll the menu items with the  and  buttons, and enter the item with the  button

After entering the Screw Feeder Manual Loading function, the display will show the name of the function on the first line of the status bar and the current value on the second line (OFF if deactivated, ON if active).



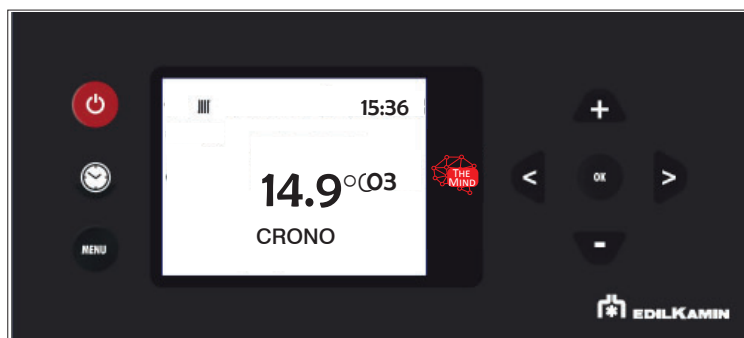
With buttons  and  the value can be changed from Off (deactivate) to On (activate) and vice versa and with button  and  it can be adjusted.

Pressing the  button automatically takes you to the first level.

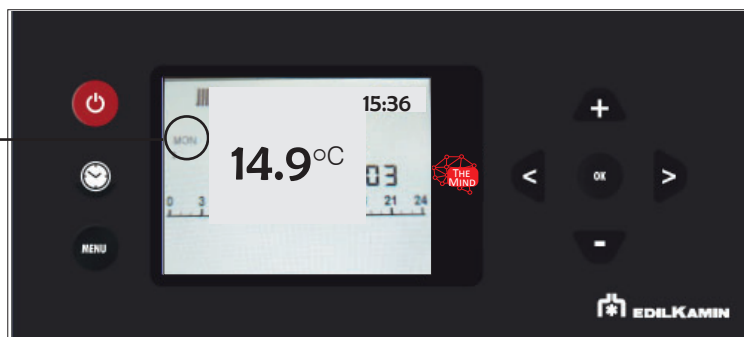
- CRONO SETTING

To access the function from the main menu (as indicated in the Menu paragraph above), press the  button

You can scroll the menu items with the  and  buttons, and enter the item with the  button

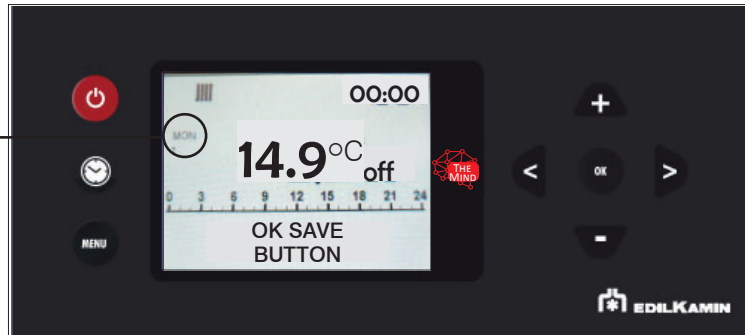


day of the week
e.g. = MON = Monday



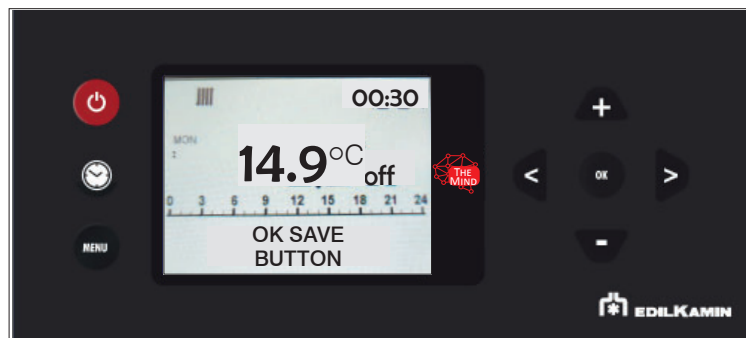
The day of the week is selected by scrolling with buttons **<** and **>** (at the same time the programming of that day is displayed) and confirmed with button **OK**.

day of the week
e.g. = MON = Monday



The time at the top right displays the start of the time slot (00:00)

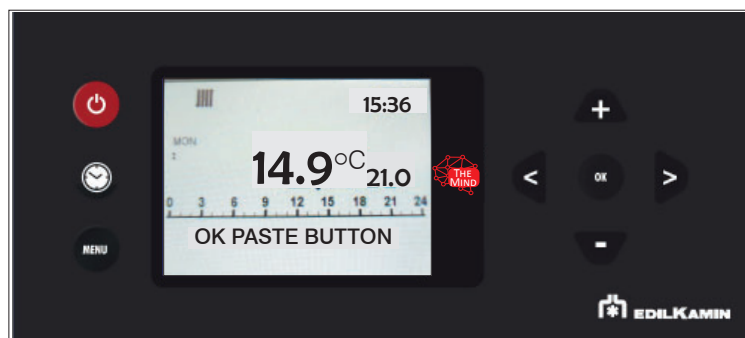
buttons **<** and **>** enable to scroll through the time in half an hour steps.



With buttons **+** and **-** the Temperature levels can be changed (OFF - T1 and T2).

After setting the entire day, confirm with the **OK** button

The COPY and PASTE function is available.



Briefly pressing the **MENU** button allows you to exit the programming mode, but the programme will not activate.

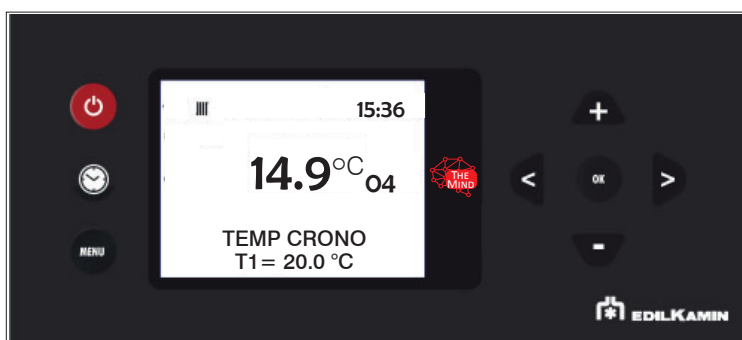
- TEMP. CRONO SETTING TEMPERATURE FOR CRONO T1 – T2

To access the function from the main menu (as indicated in the Menu paragraph above), press the  button

You can scroll the menu items with the  and  buttons, and enter the item with the  button

After entering the T1-T2 function, the display will show the name of the function on the first line of the status bar and the current value of T1 on the second line. T1 is the lowest temperature, T2 the highest.

Modify the values with the  and  buttons and confirm with the  button.



The button  switches to the setting of Set T2.

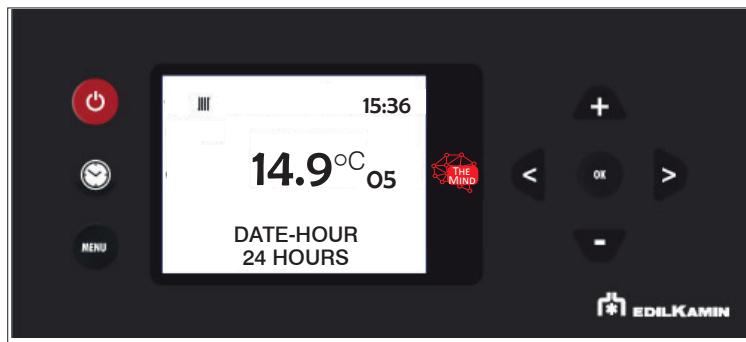
Pressing the  button automatically takes you to the first level.

- DATE AND TIME

Can be used to set the current date and time.

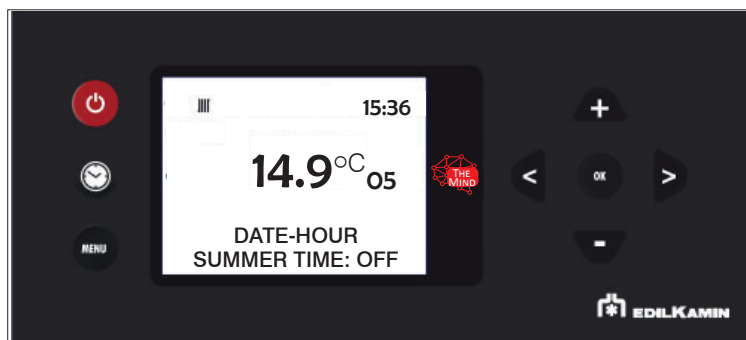
To access the function from the main menu (as indicated in the Menu paragraph above), press the **MENU** button

You can scroll the menu items with the **<** and **>** buttons, and enter the item with the **OK** button



After entering the Date-Time function, the display will show the name of the function on the first line of the status bar and the current value of the first setting (12/24 hours) on the second line.

You can switch from 12 to 24 hours using the **+** and **-** buttons and confirm with the **OK** button



Then the hours flash, which can be changed with buttons **+** AND **-** and they are confirmed with button **OK**

The minutes will then flash.

NOTE

Depending on the model there may be further options requested on the display with the interactive menu

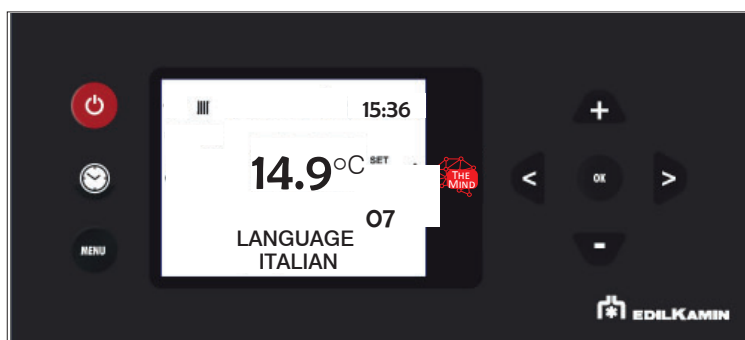
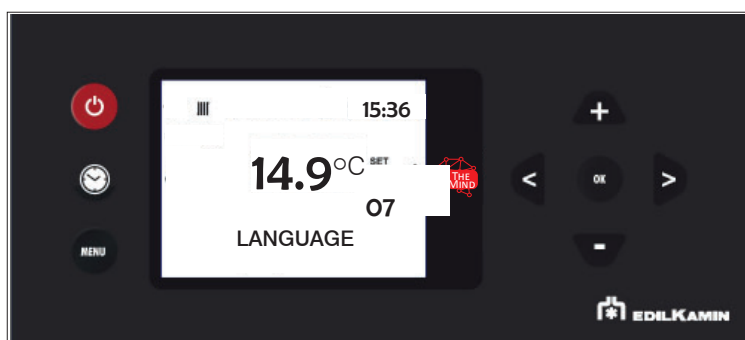
- LANGUAGE SETTING

Selects the language.

To access the function from the main menu (as indicated in the Menu paragraph above), press the  button

You can scroll the menu items with the  and  buttons, and enter the item with the  button

When entering the Language Menu item, the name in the status bar on the first line of the function and on the second the current value is displayed (ITALIAN)



The language can be changed with buttons  and  and you can exit with button .

Pressing the  button automatically takes you to the first level.

The following functions must be taken into account only following indications from the technician. Therefore, we do not report the complete explanation in this document

It can be accessed by pressing the  button and the first Menu item will appear.

You can scroll the menu items with the  and  buttons, and enter the item with the  button

The Menu items are as follows

- STAND-BY: described in the user manual
- PELLET LOAD: described in the user manual
- CRONO: described in the user manual
- TEMP. CRONO (T1-T2): described in the user manual
- DATA-ORA: described in the user manual
- LANGUAGE: described in the user manual
- DISPLAY
- INFO
- SOFTWARE
- DATA
- ALARMS
- PELLET FALL
- PELLET SENSOR
- TECHNICAL MENU
- SET TEMPERATURE
- AIRKARE

NOTE
Order and writing may vary slightly depending on the version

FOR THE INSTALLER

To access the function from the main menu (as indicated in the Menu paragraph above), press the  button

You can scroll the menu items with the  and  buttons, and enter the item with the  button

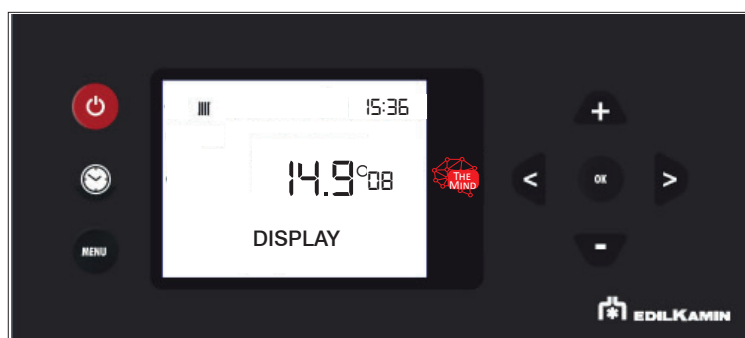
Pressing the  button automatically takes you to the first level.

Pressing the  button automatically takes you to the first level.

THE INPUT METHOD IS THE SAME FOR ALL THE FUNCTIONS AND WE WILL NOT REPEAT IT IN THE FOLLOWING PAGES
WE DESCRIBE BELOW ONLY THE FUNCTIONS NOT DESCRIBED IN THE USER PART

- DISPLAY

Allows for choosing the level of brightness of the display.



- DISPLAY


Allows for choosing the level of brightness of the display.

- INFO

These readings should only be done when requested by the technician.

The technician understands the diagnostic meaning of the messages and values, and may ask you to read them to him/her if you experience problems.

To access the function from the main menu (as indicated in the Menu paragraph above), press the  button.

You can scroll the menu items with the  and  buttons

Pressing the  button automatically takes you to the first level.

- SOFTWARE

These readings should only be done when requested by the technician.

- DATA

These readings should only be done when requested by the technician.

Scroll the information on the product HOURS operation history with buttons  and 

- ALARMS

Readings to be made only under the guidance of a technician. Alarms are sorted from most recent to oldest.

- PELLET FALL **ONLY FOR THE TECHNICIAN**
- PELLET SENSOR **ONLY FOR THE TECHNICIAN**
- TECHNICAL MENU **ONLY FOR THE TECHNICIAN**
- SET TEMPERATURE **ONLY FOR THE TECHNICIAN**
- AIRKARE **ONLY FOR THE TECHNICIAN**

The functions must be taken into account only following indications from the technician. Therefore, we do not report the complete explanation in this document



NOTES

inappropriate changes can cause the product to seize up

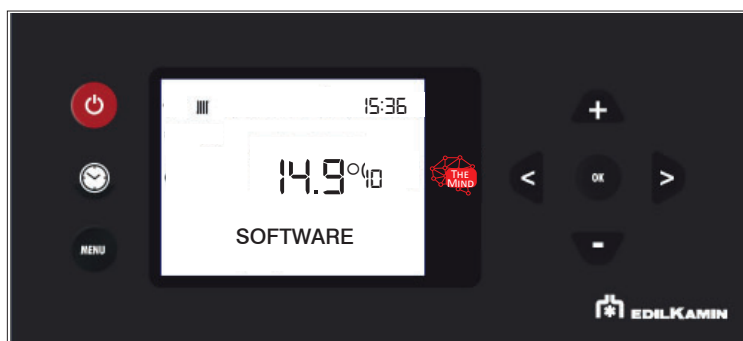
The technician will be able to give you indications of any temperatures, parameters to be set according to the system

- SOFTWARE

Indicates:

- the firmware version of the electronic board (basic board)
- the firmware version of the control panel
- the database (associated by the Technical Assistance Centres with the products)

To be read only under the guidance of the Technical Assistance Centre



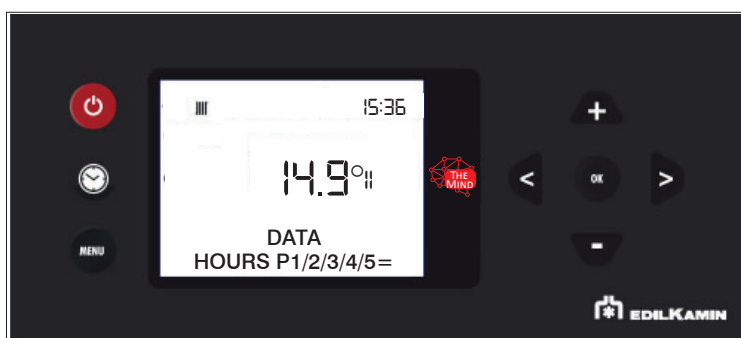
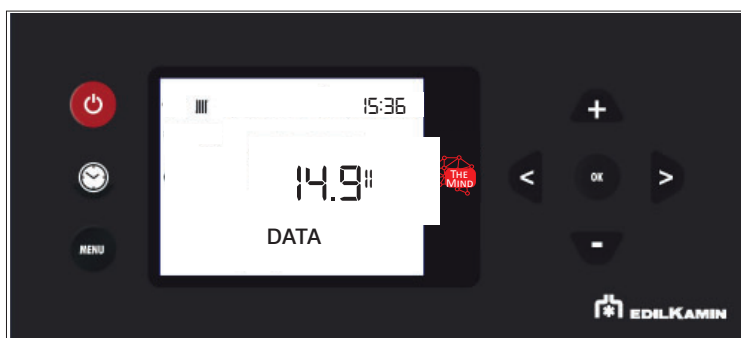
- DATA

The information on the operation history of the product can be scrolled with buttons



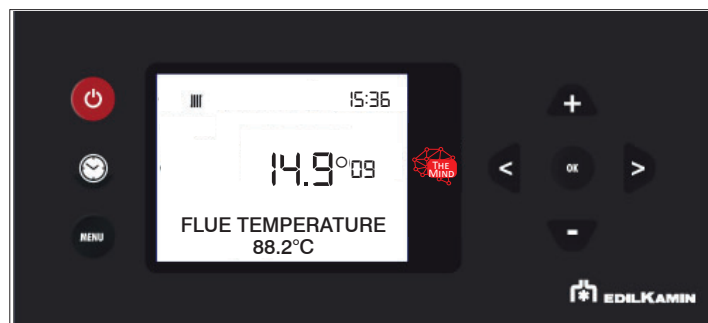
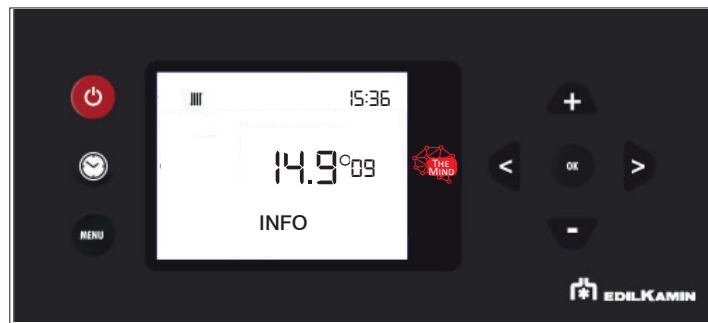
Indicates:

- IGN. No.: number of ignitions
- WORKING HOURS: total working hours
- HOURS P1/P2/P3/P4/P5: hours worked in the single powers



- INFO

They provide instant situation values



Below is a description of the items

Flue temperature indicates the value of the temperature read inside the product. To be read only under the guidance of the Technical Assistance Centre

Auger motor: indicates the speed set and read. Useful for understanding any anomaly in the motor that loads the pellets. To be read only under the guidance of the Technical Assistance Centre

Extractor: indicates the speed set and read. Useful for understanding any anomaly in the engine that creates depression in the combustion chamber. To be read only under the guidance of the Technical Assistance Centre

Leonardo: indicates the target value set and read. To be read only under the guidance of the Technical Assistance Centre

Fan: indicates the output voltage. To be read only under the guidance of the Technical Assistance Centre

Ignition plug (spark plug): indicates whether the ignition component is on or off. Useful in the ignition phase to understand functionality.

Home automation contact: indicates whether ON or OFF. Useful for understanding functionality.

Boiler temperature: indicates the value of the water temperature read inside the product. It also appears on the first level display only if "No Input" is set in the Input Ambience parameter. ATTENTION that the room temperature will no longer appear. IN CASE, TO BE CLARIFIED TO THE END CLIENT.

To be read only under the guidance of the Technical Assistance Centre

PWM pump : indicates the output value of the primary circuit pump (of the kit if optional) To be read only under the guidance of the Technical Assistance Centre.

3-way valve for heating : indicates the functionality of the valve.

Relaunch pump : indicates whether the pump is ON or OFF.

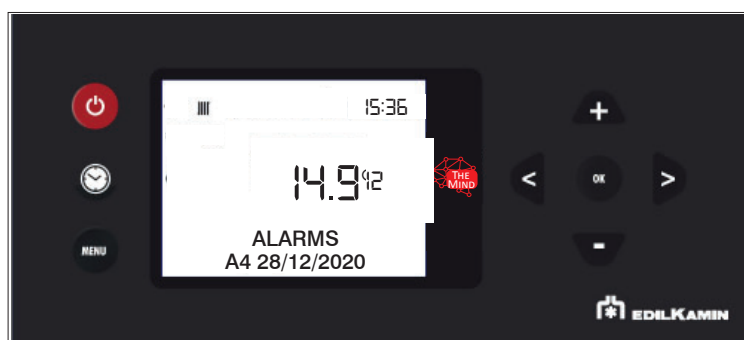
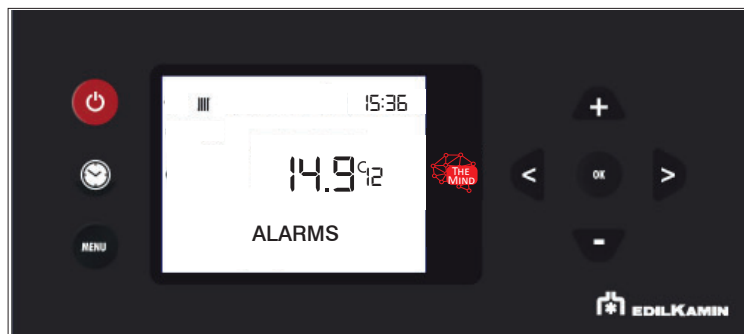
AUX relay : indicates if OPEN

Radio signal: indicates the signal strength in milliwatt decibels. Admissible values from 0 to -95dB

- ALARMS

These readings should only be done when requested by the technician.

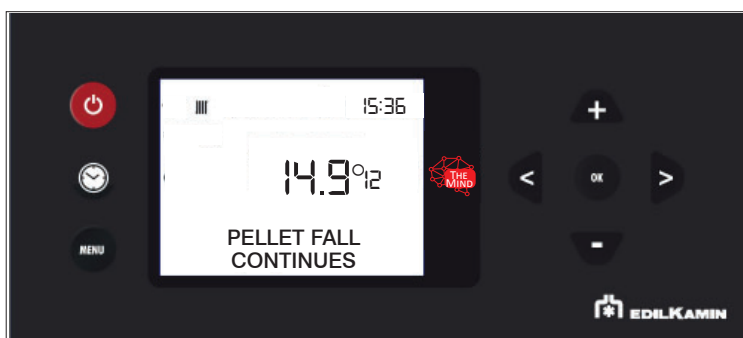
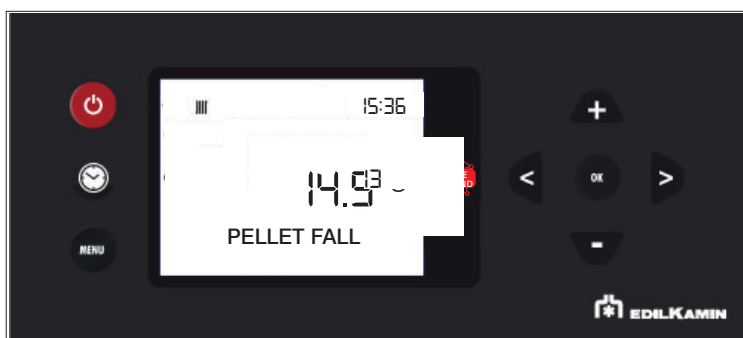
The alarms are arranged from the most recent to the oldest.



The meaning of the abbreviations is given in the user manual

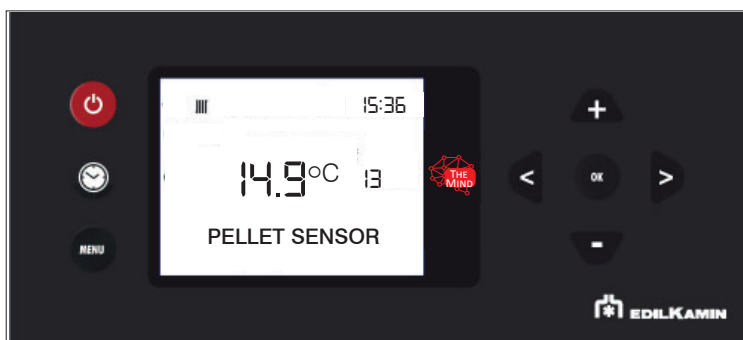
- PELLET FALL

Allows to set the gearmotor in continuous cycle or in steps. To be carried out only under the guidance of a technician.



- PELLET SENSOR

Allows to set the pellet level sensor ON or OFF.

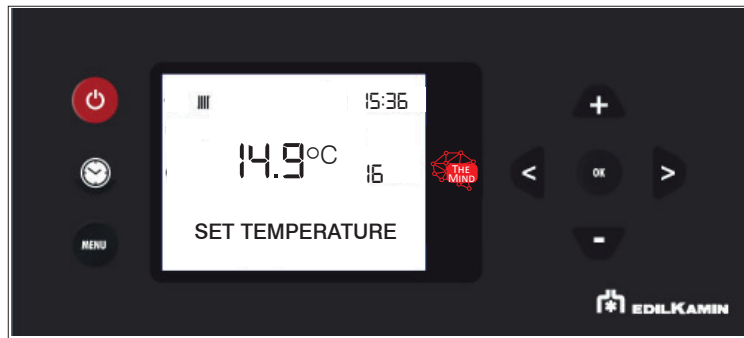


IN ORDER OF SCROLLING IT IS FOUND AFTER THE TECHNICAL MENU

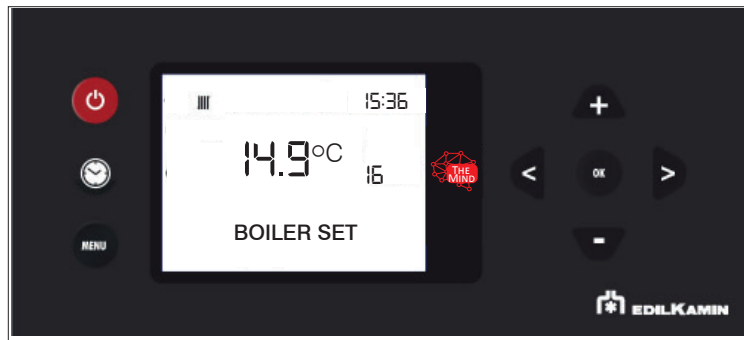
- “SET TEMPERATURE” o the display (Setting the water temperatures)

Allows the setting of the boiler temperature and possibly the storage temperature. If the external probe is activated, it allows the setting of the climatic curve instead of the boiler temperature.

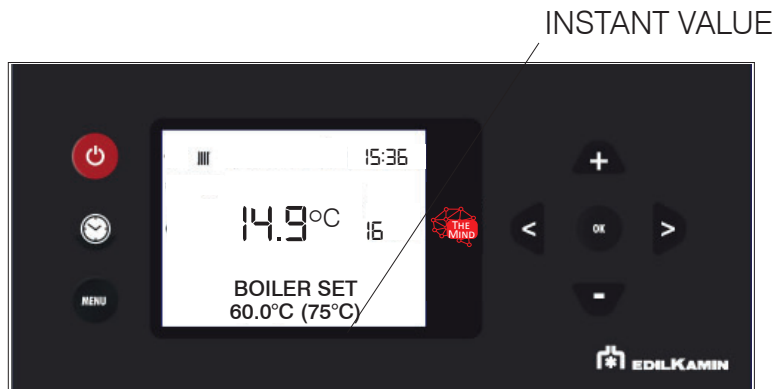
ADJ T AMB 1 is also adjusted (i.e. the correction of the ambient probe)




BOILER SET example
the product water temperature can be set (BOILER on display)



Depending on the configurations, the temperatures are displayed.
Example:



- TECHNICIAN MENU (for TECHNICIANS ONLY)

Accessible only by a technician in possession of the correct password (1111) Once the password has been entered, it must be confirmed with a button 

- **Flame type**
- **Pellet type**
- **Configuration**
- **Parameters**

**NOTES**

inappropriate changes can cause the product to seize up


- FLAME TYPE (only for the TECHNICIAN)

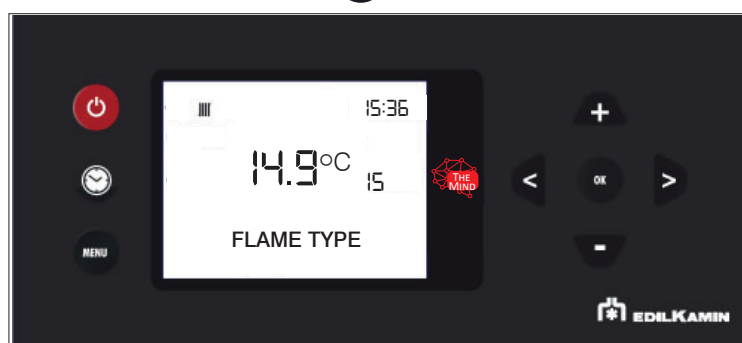
In correct installation conditions, with the Service Centre parameters appropriately adjusted, with quality pellets, the intensity of the flame is adjusted:

STANDARD

ECO

PLUS

You can enter the Flame Type setting using the 



and with buttons  and  the correction value can be changed.

Pressing the  button automatically takes you to the first level.

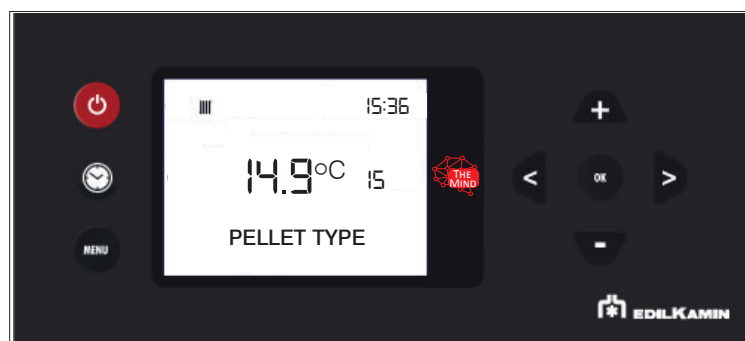
- PELLET TYPE


In correct installation conditions, with the Service Centre parameters appropriately adjusted, with quality pellets, the pellet load is adjusted

MEDIUM

HIGH

LOW



Enter the Pellet Type (%) setting with button 


and modify the value with buttons  and 

Pressing the  button automatically takes you to the first level.

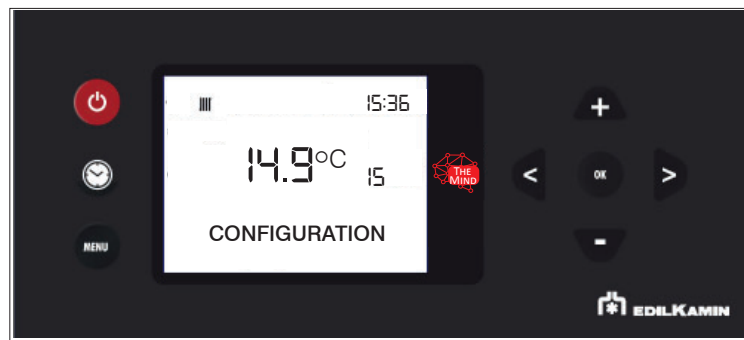
- CONFIGURATION

Scroll through the Technician Menu items with buttons  and  to the "CONFIGURATION" item

It is possible to enter the "CONFIGURATION" setting with button 

and modify the value with buttons  and 

Pressing the  button automatically takes you to the first level.



The installer chooses one of the 4 configurations:

0 DIRECT HEATING (possibly with combined boiler)

1 HEATING WITH PUFFER (inertial storage)

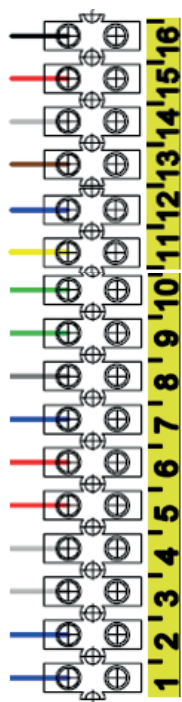
2 HEATING WITH SANITARY STORAGE (possibly with combined boiler)

3 HEATING WITH PUFFER (inertial storage) AND BOILER (storage of domestic hot water)

TO BETTER UNDERSTAND THE ABOVE FOLLOWING PAGES ON TERMINAL BLOCK AND SYSTEMS

To manage the various types of systems, connect the probes to the terminal board, as needed.

TERMINAL BOARD MAIN OUTLINE



- 15-16 CYLINDER PROBE (Optional NTC 10K) or THERMOSTAT (Optional)
- 13-14 DOMOTIC CONTACT (Input)
- 11-12 ROOM PROBE (Supplied) or ROOM THERMOSTAT (Optional)
- 9-10 BUFFER PROBE (Optional NTC 10K) - BUFFER THERMOSTAT (Optional)
- 7-8 BUFFER-CYLINDER DOUBLE PROBE (Optional NTC 10K probe)
- 4-5-6 AUX CONTACT - Output, aux boiler room thermostat or 3-way valve (COM = Common - NC = Normally Closed - NO = Normally Open).
- 1-2-3 SECONDARY PUMP POWER SUPPLY (Earth / Neutral / Phase)

HOME AUTOMATION CONTACT 13-14

For all types of systems:

HEATING - KETTLE - PUFFER - PUFF / TUB

it is possible to connect a remote control with clean contact (closed on request, open not on request).

This contact has the same function as the on / off button on the display.

Following the closure of the contact, however, the thermo stove will follow its objective defined by the selected system and the functions associated with it, as happens when the power button on the display is pressed.

There are 4 pre-set configurations as shown below.

DAILY MAINTENANCE

These jobs should be done with the product off, cold and preferably disconnected from the mains.

A suitable vacuum cleaner is required.



Disconnect the product from the power supply.

Failure to service the product properly will prevent it from working properly.

Any problems due to failure in servicing the stove will void the warranty.



Make sure that the grate is properly placed in its housing after maintenance operations, if not, the stove may have ignition problems



Using the stove without cleaning the grate can cause the gas in the combustion chamber to ignite and detonate.

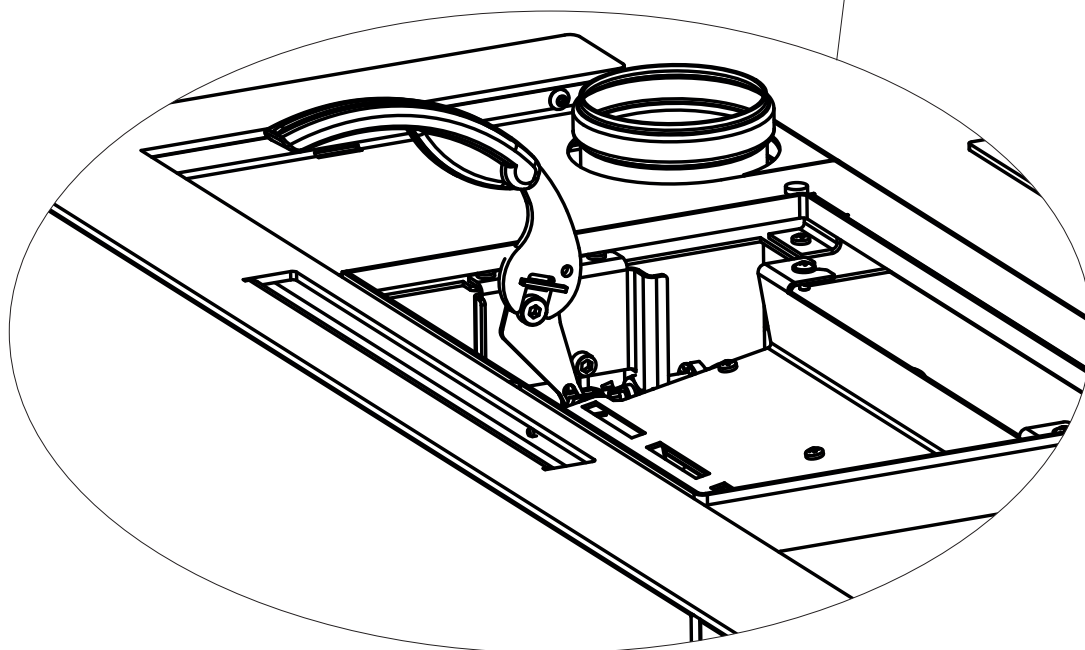
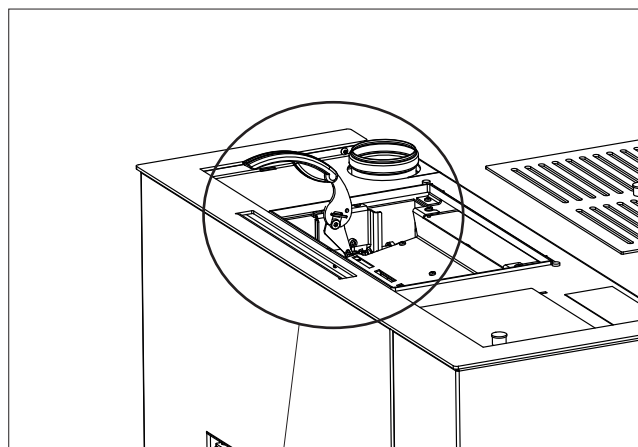


Once it is refitted, make sure that the ash tray is properly placed in its housing, to avoid glass breakage when closing.

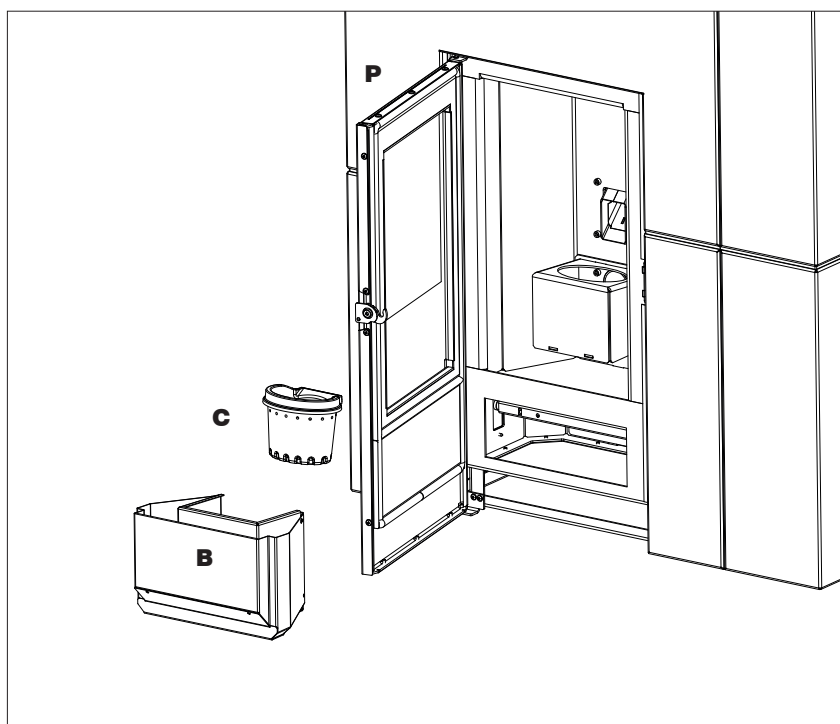
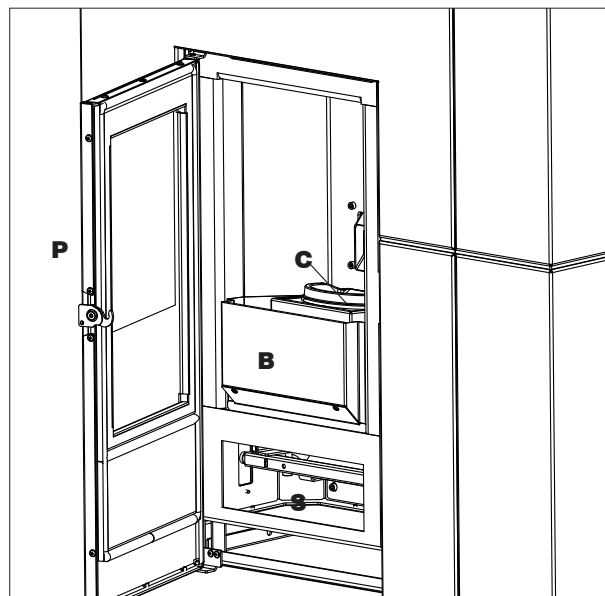
DAILY MAINTENANCE

1. "Rub the cleaning rod under the pellet loading cover with the removable handle supplied

1



1. Open the combustion chamber door (P) using the removable handle.
2. Empty the ash tray (B) and grate (C) into a non-flammable container (the ashes may still contain embers and/or hot parts) or vacuum if cold. Vacuum the interior of the combustion chamber, the bed, and the compartment around the burning pot into which the ash falls.
3. Scrape the burning pot with the scraper and clean out any obstructed holes.
4. If necessary, clean the glass when cold using a dedicated product (e.g. Glasskamin), which your dealer should have.



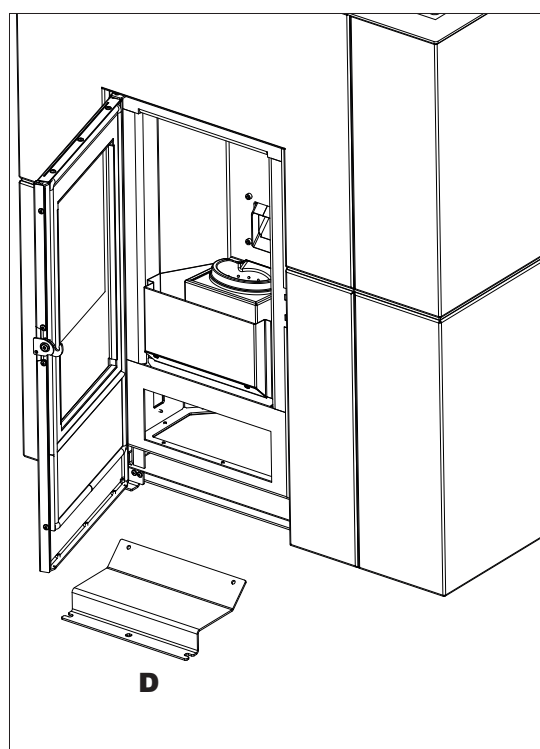
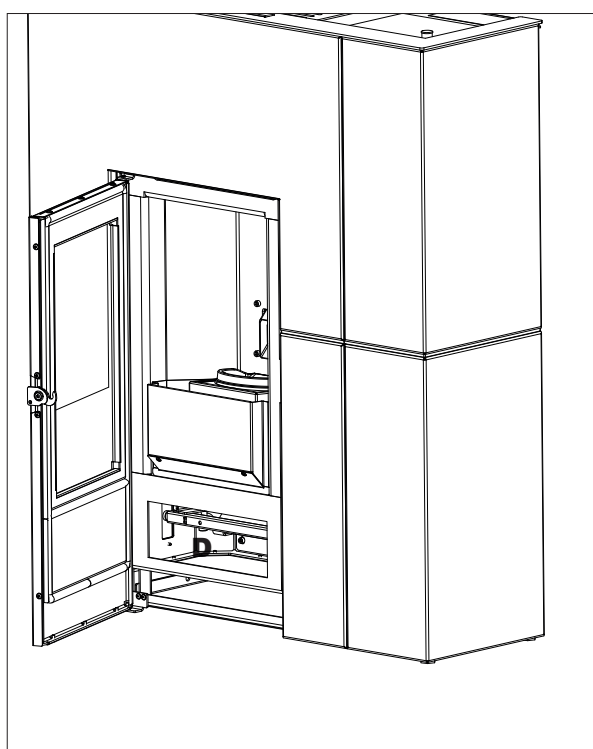
WEEKLY MAINTENANCE

With the product switched off and cold, vacuum the inspection window beneath the combustion chamber (*)

To access it:

- open the door of the lower front panel using the removable handle
- remove the deflector (D) which merely rests on it

After cleaning the element, put the deflector back on and close the door of the lower front panel



Make sure you have correctly repositioned the deflector after cleaning: it should lie horizontally between the two screws

SEASONAL MAINTENANCE

(to be carried out by the technical assistance centre)

This consists of cleaning the stove inside and out.

If the product is used intensively, we recommend cleaning the smoke duct and passage every 3 months.

You should clean the chimney system at least once a year (check local regulations for details).

If you fail to regularly clean and inspect the system, there is an increased risk of the chimney pot catching fire.

We recommend against using compressed air to clean the combustion air inlet

Technical interventions

Please contact your local retailer and/or an Edilkamin technician if spare parts are needed.

Technical interventions must be carried out by a licensed and qualified Technical Assistance centre/ Edilkamin retailer ONLY.

Licensed and qualified Technical Assistance Centre/ Edilkamin retailers company names are available on the Edilkamin website www.edilkamin.com ONLY.

Use of non-original spare parts may cause product hazards, exonerating Edilkamin from any liability and damage caused, interrupting the warranty as a result of tampering.

SUMMER SHUTDOWN

During the period of disuse, keep the stoves doors, hatches and lids closed.

We recommend emptying out the pellet tank. Place dehumidifying salts in the combustion chamber.

Consider to remove air intake if you are in zone where it can damage

SPARE PARTS

For any spare parts, contact your dealer or technician. Licensed and qualified Technical Assistance Centre/ Edilkamin retailers company names are available on the Edilkamin website www.edilkamin.com ONLY.

Use of non-original spare parts may cause product hazards, exonerating Edilkamin from any liability and damage caused, interrupting the warranty as a result of tampering.

Do not make any unauthorised modifications.

DISPOSAL

At the end of its service life, dispose of the product as required by regulations.



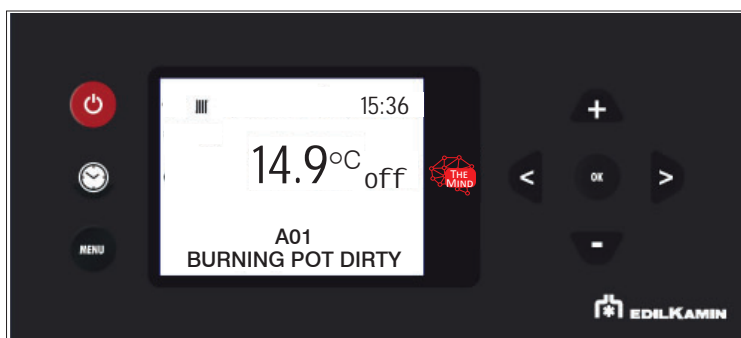
In accordance with art. 26 of Legislative Decree no. 49 of 14th March 2014, "Implementation of Directive 2012/19/UE on the disposal of electrical and electronic devices (RAEE)".

The crossed-out dustbin symbol displayed on equipment or its packaging indicates that the product at the end of its life must be collected separately from other waste.

At the end of its useful life, the user should therefore deliver the product to a suitable local sorted collection centre for electrical and electronic devices.

Sorted collection for recycling, treatment and environmentally compatible scrapping contributes to the prevention of negative effects on the environment and health, and promotes the re-use and recycling of the materials of which the equipment is made.

**If problems occur, the product shuts itself off automatically.
The display will show the reason (see below).**



MESSAGE	PROBLEM	SOLUTION
A01 burning pot dirty	displays when the combustion air intake is below the set level	<ul style="list-style-type: none"> • Check that the combustion chamber door is closed • Check the regular maintenance of the stove • Check that smoke discharge and combustion air ducts are clean.
A02	displays when the logic board is not detecting the right smoke fan speed	<ul style="list-style-type: none"> • Contact the technician
A03	displays when the thermocouple detects a smoke temperature lower than the set value and interprets this as the absence of flame	<ul style="list-style-type: none"> • Check that there are pellets in the tank • Check that the water temperature has not increased due to the closure of a valve (call a technician) • Contact the technician
A04	displays when ignition times out unsuccessfully	<p>There are two possibilities: NO flame:</p> <ul style="list-style-type: none"> • Check that the burning pot is seated properly and clean • Check that there are pellets in the tank and burning pot • Try switching it on with a solid ecological igniter (contact the technician beforehand and follow the instructions of the igniter supplier very carefully). <p>The operation must be regarded purely as a trial under the technician's guidance</p>
A05	Shutdown due to air flow rate sensor breakage	<ul style="list-style-type: none"> • Contact the technician
A06	displays when the logic board determines that the smoke temperature probe is broken or disconnected	<ul style="list-style-type: none"> • Contact the technician

MESSAGE	PROBLEM	SOLUTION
A07	Shutdown due to exceeding maximum smoke temperature.	<ul style="list-style-type: none"> • Check the type of pellet (contact the technician if in doubt) • contact the technician
A08	Switching OFF due to excessive overheating of the product	<ul style="list-style-type: none"> • see HO7
A09	Shutdown due to gearmotor breakage or seizure	<ul style="list-style-type: none"> • Contact the technician
A10	Switching OFF due to circuit board overheating.	<ul style="list-style-type: none"> • Contact the technician
A11	Switching OFF due to the intervention of the safety pressure switch.	<ul style="list-style-type: none"> • Ensure the stove and flue are clean • Contact the technician
A12	Room temperature probe failure.	<ul style="list-style-type: none"> • Contact the technician
A13	Shutdown due to breakage of the reading water temperature probe of the boiler stove.	<ul style="list-style-type: none"> • Contact the technician
A14	Shutdown due to breakage of the water temperature probe in the boiler	<ul style="list-style-type: none"> • Contact the technician
A15	Shutdown due to exceeding maximum water temperature in the boiler stove	<ul style="list-style-type: none"> • Contact the technician
A16	Shutdown due to breakage of the pressure switch for reading the water pressure of the boiler stove	<ul style="list-style-type: none"> • Contact the technician
A17	Shutdown due to breakage of the external probe	<ul style="list-style-type: none"> • Contact the technician
A18	Shutdown due to breakage of the water temperature probe in the inertial storage tank	<ul style="list-style-type: none"> • Contact the technician
A20	Shutdown due to gearmotor breakage or seizure	<ul style="list-style-type: none"> • Contact the technician

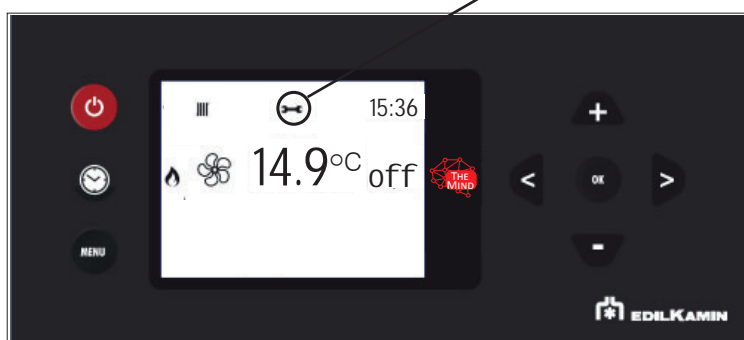
WATER OVERHEATING (SHUTDOWN WITHOUT ALARM)

If the water in the product reaches a temperature of 85°C, the product shuts down without switching to alarm mode. The text STBY appears on the display next to the room temperature. The product is working, but it must be serviced by an authorised Edilkamin technician.

MAINTENANCE (SIGNAL THAT DOES NOT CAUSE SHUTDOWN)

A spanner symbol will appear on the display after 2,000 hours of operation

The product is working, but it must be serviced by an authorised Edilkamin technician.



Seasonal maintenance should be performed by a qualified technician in accordance with the national and local regulations.

Licensed and qualified Technical Assistance Centre/Edilkamin retailers company names are available on the Edilkamin website www.edilkamin.com ONLY.



EDILKAMIN
TECNOLOGIA DEL FUOCO

www.edilkamin.com